



## Screenless Granulator SG-L

SG-L36

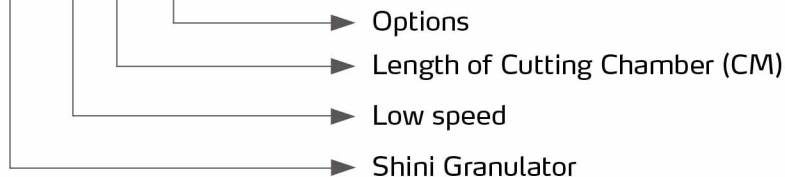


Refer carefully to this manual before operation.

# SG-L Series

## ■ Coding Principle

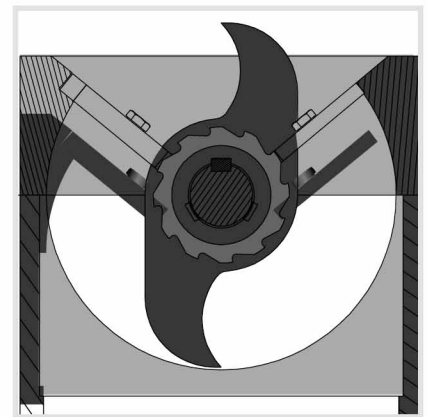
SG - L xx - x



Cutting chamber

## ■ Features

- Adopt TECO brand gear motor that features stable performance, long service life and large torque.
- Break large spurs into smaller pieces, and teeth cutter bites the materials into the desired size with less dust and ready to be reused with virgin materials.
- Screenless screen, even particle granules with little dust content.
- Compact design, small footprint for fast cleaning and maintenance. Feed box with visual window, and double-layer sound proof are made of stainless steel.
- Gear motor is connected with the main shaft with the coupling, making it easy to replace cutters and gear motor.



Teeth cutter diagram

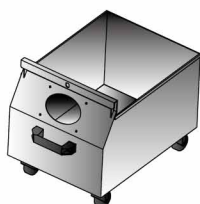
## ■ Application

SG-L Screenless Granulator is applicable to granulating hard long or strong flexible sprues for instant recycling and a few rejects. It features small size, low speed and wear, and super silence, with low speed structure, and particle granules of little dust. Quick and easy cleaning method to clean residues from the cutting chamber in just a few simple steps. Simple control mode and operability is user-friendly that makes it easy to operate. Besides, multiple options are available to meet different production processes and specific demands.

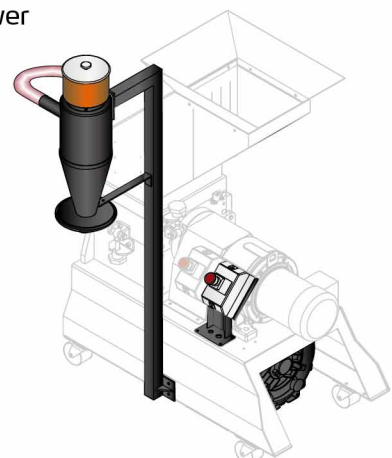
## ■ Options

- Manual collection bin
- Regrind Conveying Via Blower & Cyclone (PC type)

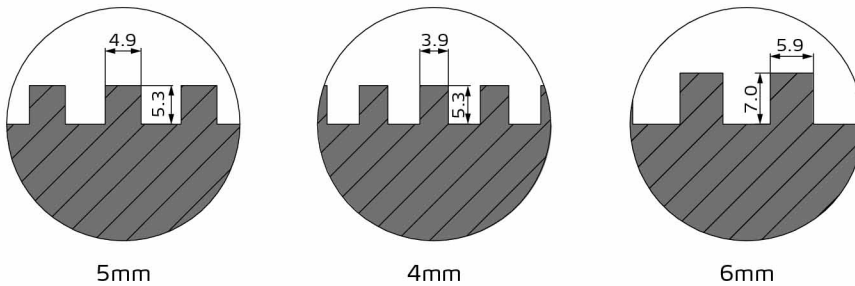
The manual collection bin is convenient for regrind recycling and storing.



This device utilizes loading blower to convey regrind into the cyclone dust collector to separate the regrind from the air and then the regrind will fall into the material storage hopper.

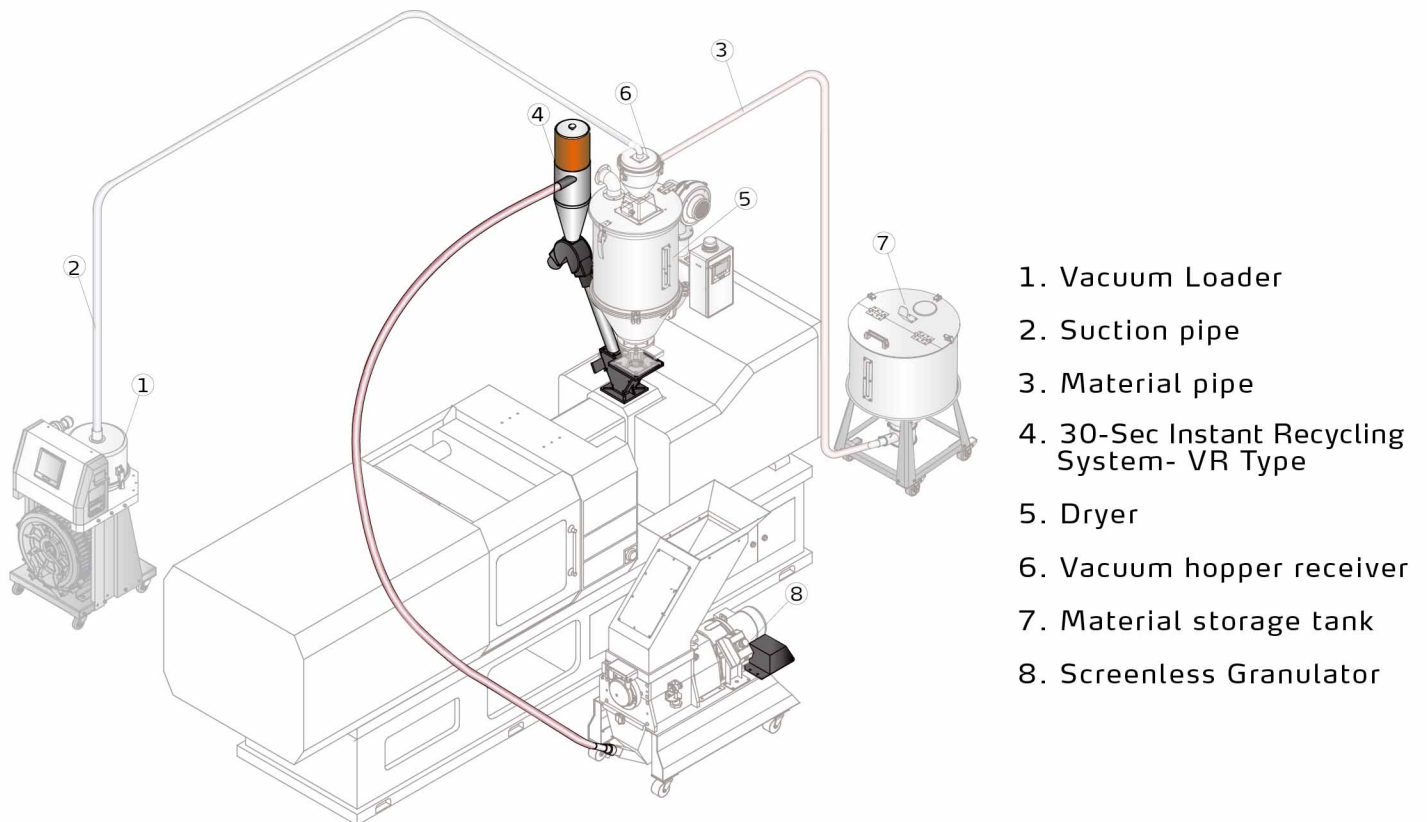


- On the basis of standard cutter 5mm, cutter 4mm or 6mm is provided for option.



- **30-Sec Instant Recycling System- VR Type**

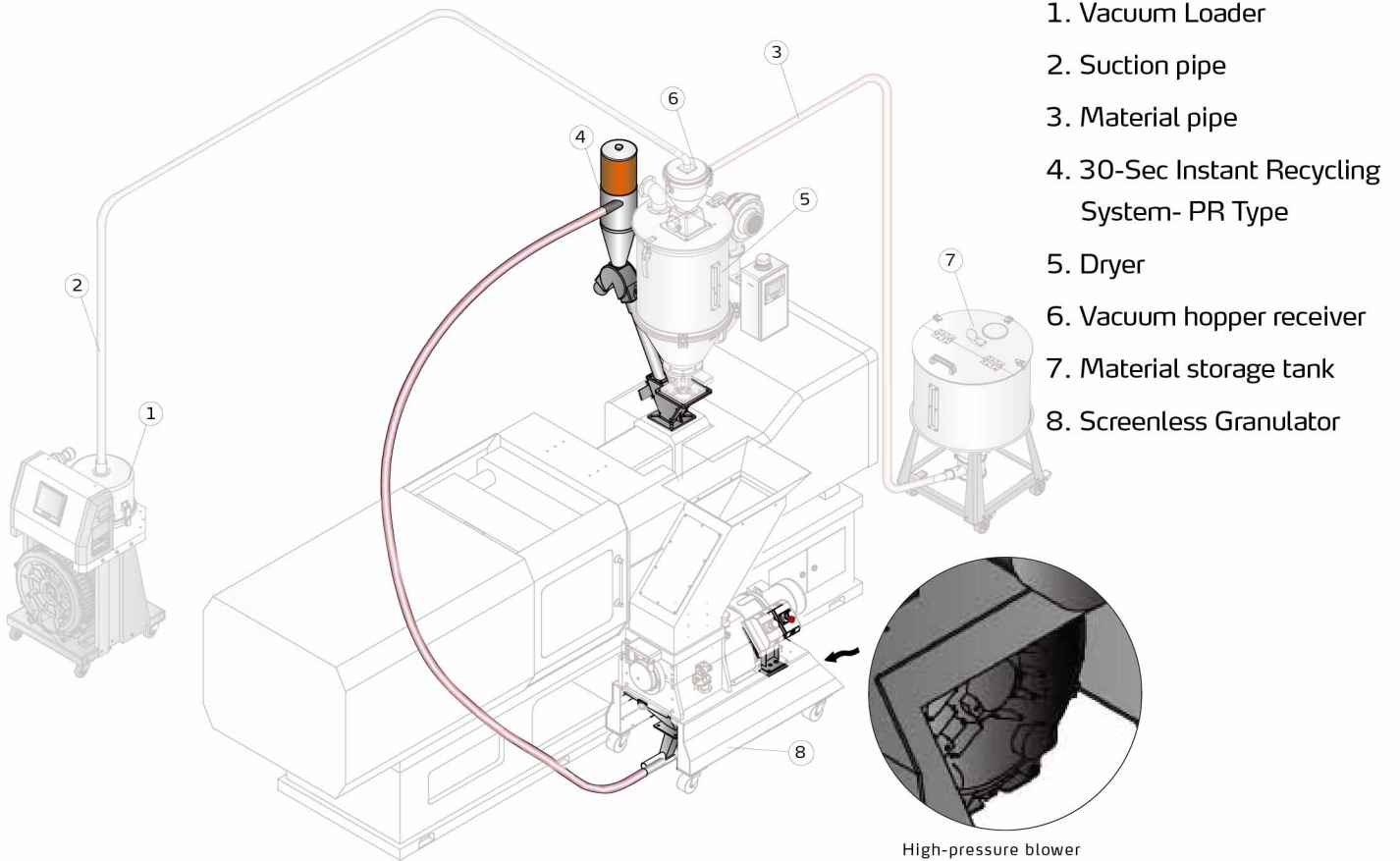
The 30-sec. instant recycling system utilizes the high-pressure blower to blow the regrinds in the material storage tank to the proportional mixer and reuse the regrinds after mixing, so that the sprues will not have physical properties and color changes due to oxidation and humidification, thus improving the products quality.



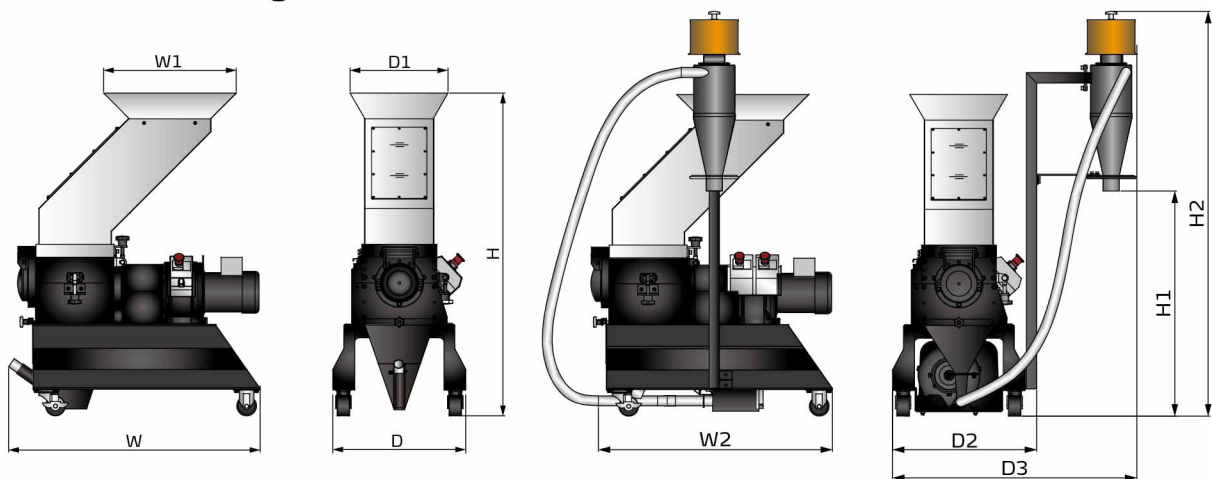
# SG-L Series

## ● 30-Sec Instant Recycling System- PR Type

The 30-sec. instant recycling system utilizes the high-pressure blower to blow the regrinds in the material storage tank to the proportional mixer and reuse the regrinds after mixing, so that the sprues will not have physical properties and color changes due to oxidation and humidification, thus improving the products quality.



## ■ Outline Drawings



Optional PC Type

## ■ Specifications

Model	SG-L17	SG-L27	SG-L36	SG-L46	
Motor Power (kW, 50/60Hz)	1.1	1.5	2.2	3.7	
Rotating Speed (rpm, 50/60Hz)	27	27	27	27	
Capacity of optional storage tank (L)	29	37	45	53	
Material of Teeth Cutters	Cr12MoV	Cr12MoV	Cr12MoV	Cr12MoV	
Number of Staggered Blades	1	2	3	4	
Number of Teeth Cutters	2	3	4	5	
Cutting Chamber (mm)	240 x 175	240 x 270	240 x 365	240 x 460	
Max. Throughput Capacity (kg/hr)	5	10	15	20	
Noise Level dB(A)	80~85	80~85	80~85	80~85	
Motor Power (KW)	0.4	0.4	0.4	0.4	
Dimensions	H (mm)	1250	1250	1250	1380
	H1(mm)	875	875	875	875
	H2(mm)	1075	1075	1075	1075
	W (mm)	920	1015	1135	1285
	W1 (mm)	416	512	578	670
	W2(mm)	855	950	1060	1280
	D (mm)	516	516	516	576
	D1(mm)	378	378	378	378
	D2(mm)	560	560	560	620
	D3(mm)	954	954	954	1014
	Weight(kg)	160	200	240	300

- Note: 1) "\*"Stand for Option  
 2) Max. Capacity of the machine is subject to the size and composition of the material.  
 3) Noise level varies according to different granules.  
 4) To avoid plastic from sticking to the blades, all materials should be crushed at normal temperature.  
 5) Power supply: 3Φ, 230/400/460/575VAC, 50/60Hz.

## Shini Group

Addr: No. 23, Minhe St., Shulin Dist.,  
New Taipei, Taiwan

Tel: +886 2 2680 9119

Fax: +886 2 2680 9229

Email: [shini@shini.com](mailto:shini@shini.com)

### Factories:

- Taiwan
- Dongguan
- Pinghu
- Ningbo
- Chongqing
- Pune

2021-12-15-04 Copyrights Reserved.

[www.shini.com](http://www.shini.com)