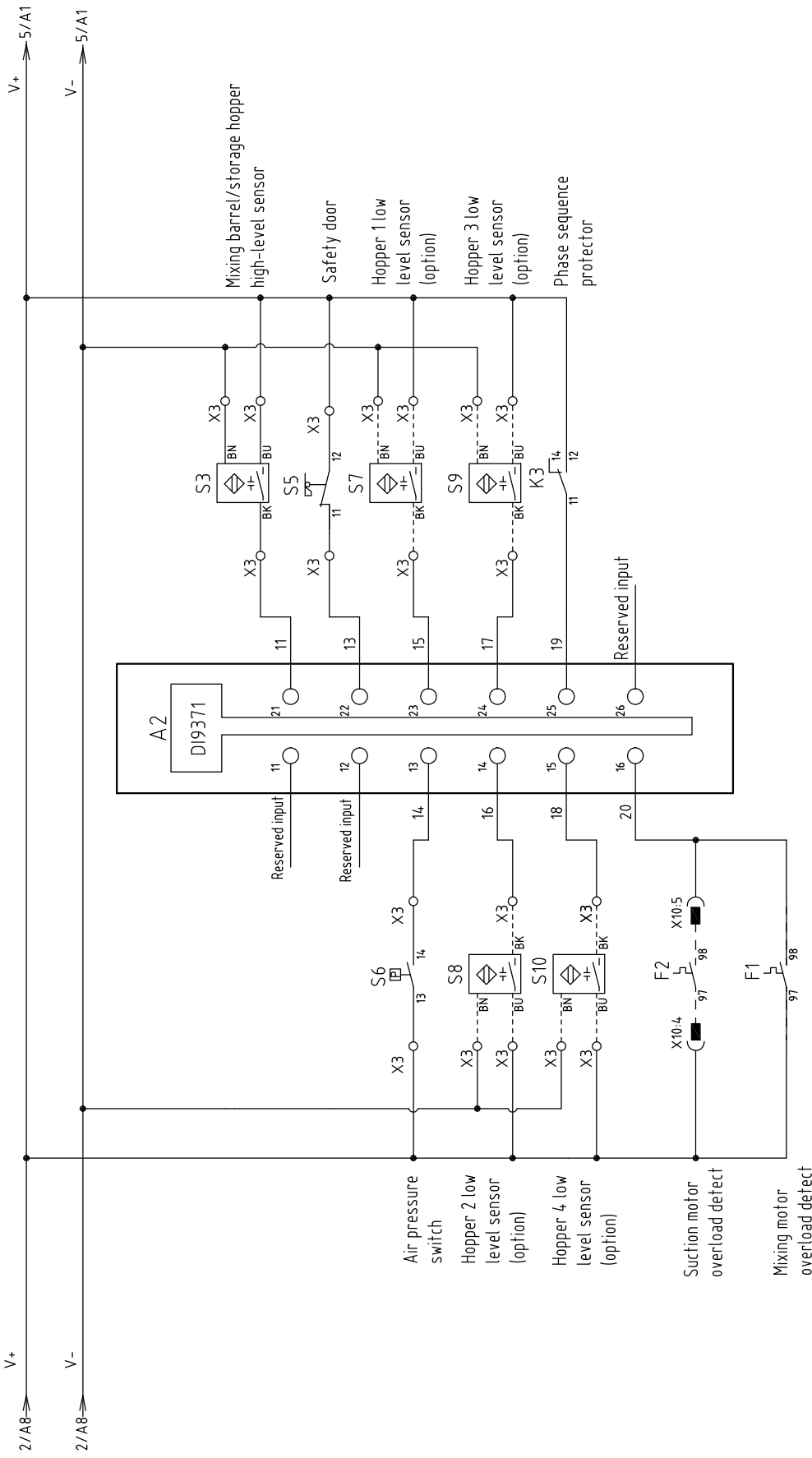


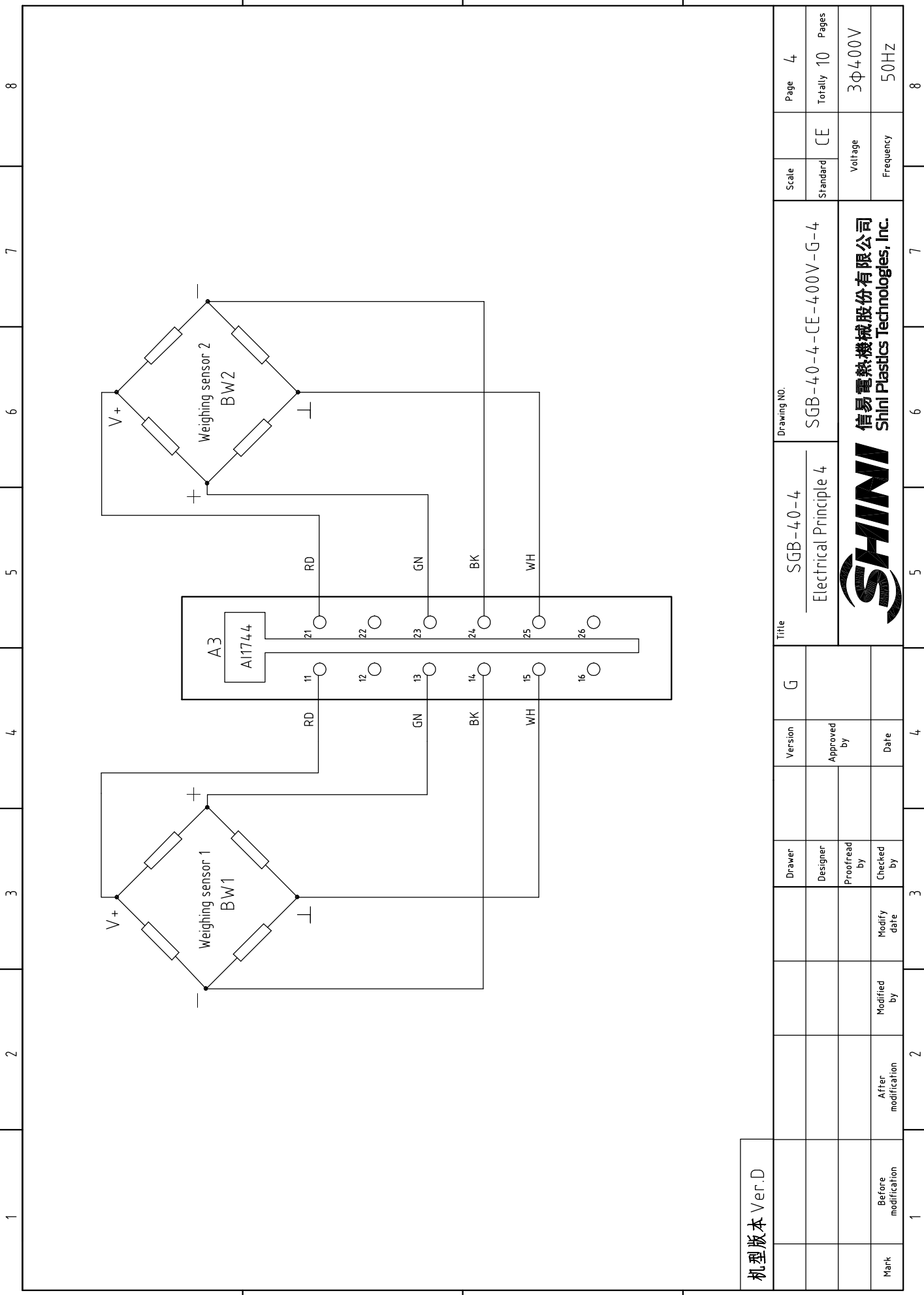
机型版本 Ver.D

Mark	Before modification	After modification	Modified by	Modify date	Checked by	Proofread by	Designer	Drawer	Version	G	Title	Drawing NO.		Scale	Page
	SGB-40-4											Standard	2		
Mark	Before modification	After modification	Modified by	Modify date	Checked by	Proofread by	Designer	Drawer	Version	G	Title	SGB-40-4-CE-400V-G-2		Standard	Totally
	Electrical Principle 2											CE	10		
Mark	Before modification	After modification	Modified by	Modify date	Checked by	Proofread by	Designer	Drawer	Version	G	Title	SGB-40-4-CE-400V-G-2		Voltage	Pages
	SHINI 信易電熱機械股份有限公司 Shini Plastics Technologies, Inc.											3φ400V	8		




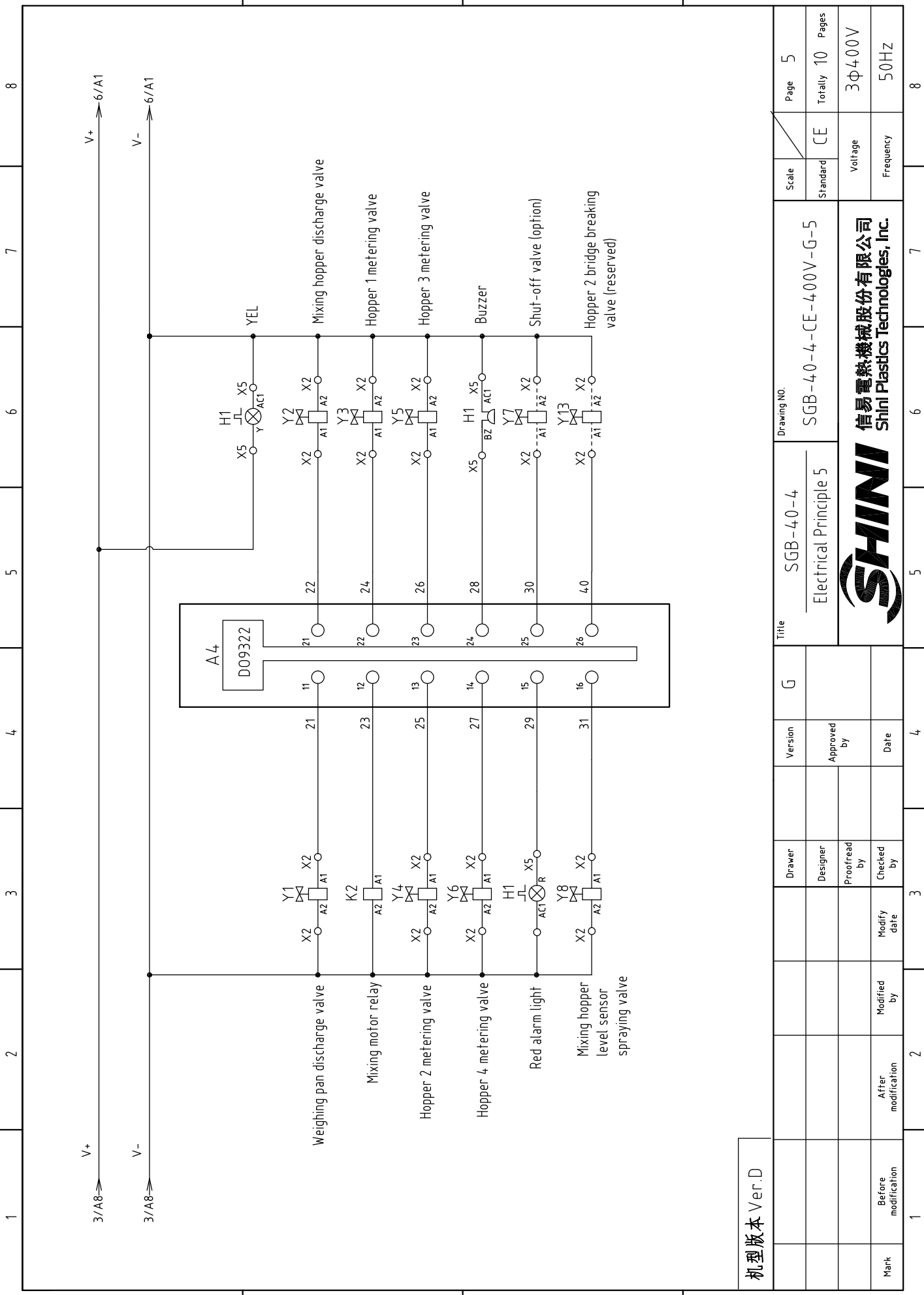
机型版本 Ver.D

Mark	Before modification	Modified by	Modify date	Checked by	Date	Version	G	Title	Drawing NO.		Scale	Page 3
	After modification				20201027				SGB-40-4	SGB-40-4-CE-400V-G-3		
								SHINI 信易電熱機械股份有限公司 Shini Plastics Technologies, Inc.	Voltage		3φ400V	
							Frequency		50Hz		8	



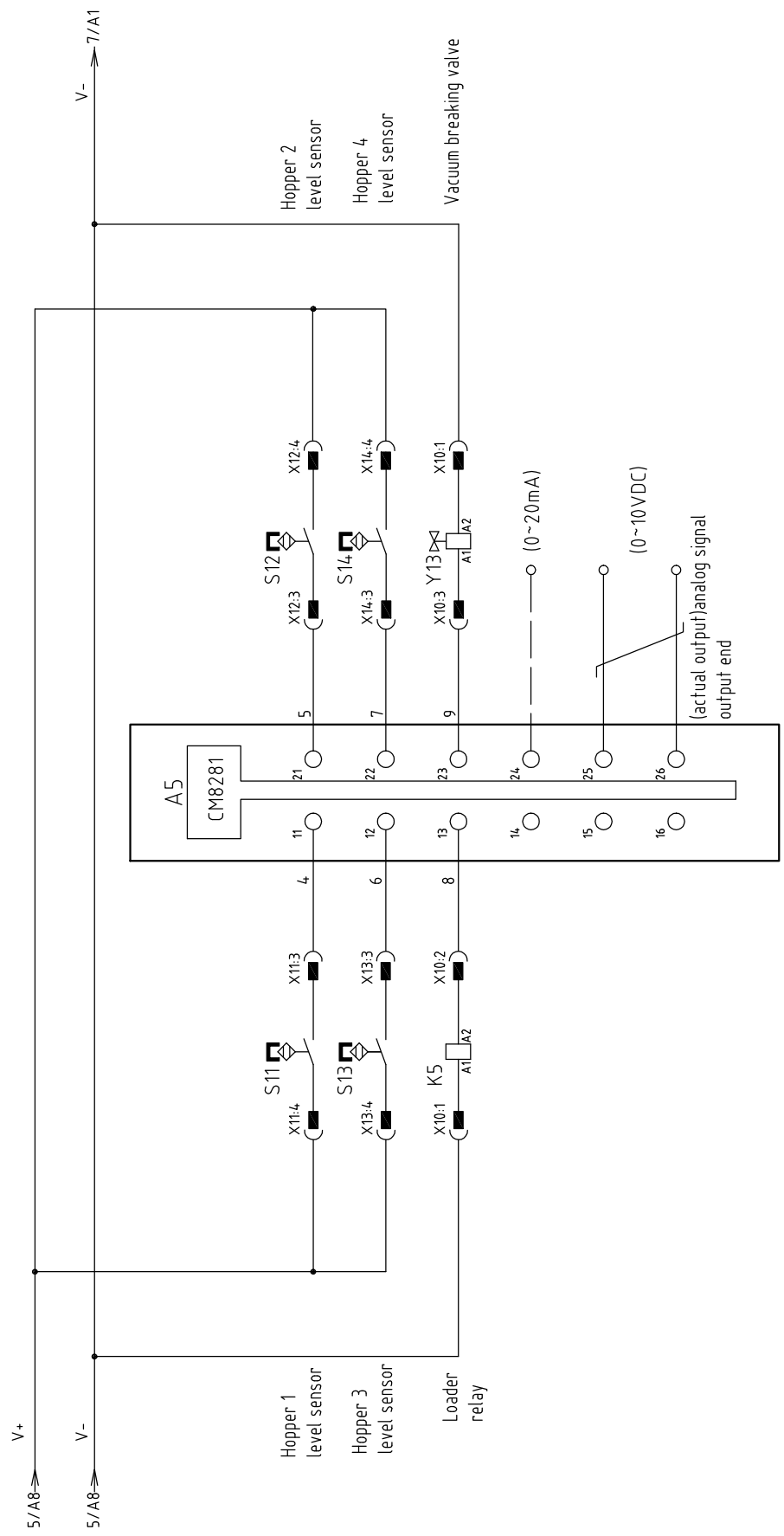
机型版本 Ver.D

Drawer	Version	Title		Drawing NO.		Scale	Page
Designer	Approved by	SGB-40-4		SGB-40-4-CE-400V-G-4		Standard	4
Proofread by	Date	Electrical Principle 4		CE		Totally	10
Checked by	Modify date	 信易電熱機械股份有限公司 Shini Plastics Technologies, Inc.		Voltage		3φ400V	
After modification	Modified by			Frequency		50Hz	
Before modification	Mark	1		2		3	
		4		5		6	
		7		8		9	
		10		11		12	
		13		14		15	
		16		17		18	
		19		20		21	
		22		23		24	
		25		26		27	
		28		29		30	
		31		32		33	
		34		35		36	
		37		38		39	
		40		41		42	
		43		44		45	
		46		47		48	
		49		50		51	
		52		53		54	
		55		56		57	
		58		59		60	
		61		62		63	
		64		65		66	
		67		68		69	
		70		71		72	
		73		74		75	
		76		77		78	
		79		80		81	
		82		83		84	
		85		86		87	
		88		89		90	
		91		92		93	
		94		95		96	
		97		98		99	
		100		101		102	
		103		104		105	
		106		107		108	
		109		110		111	
		112		113		114	
		115		116		117	
		118		119		120	
		121		122		123	
		124		125		126	
		127		128		129	
		130		131		132	
		133		134		135	
		136		137		138	
		139		140		141	
		142		143		144	
		145		146		147	
		148		149		150	
		151		152		153	
		154		155		156	
		157		158		159	
		160		161		162	
		163		164		165	
		166		167		168	
		169		170		171	
		172		173		174	
		175		176		177	
		178		179		180	
		181		182		183	
		184		185		186	
		187		188		189	
		190		191		192	
		193		194		195	
		196		197		198	
		199		200		201	
		202		203		204	
		205		206		207	
		208		209		210	
		211		212		213	
		214		215		216	
		217		218		219	
		220		221		222	
		223		224		225	
		226		227		228	
		229		230		231	
		232		233		234	
		235		236		237	
		238		239		240	
		241		242		243	
		244		245		246	
		247		248		249	
		250		251		252	
		253		254		255	
		256		257		258	
		259		260		261	
		262		263		264	
		265		266		267	
		268		269		270	
		271		272		273	
		274		275		276	
		277		278		279	
		280		281		282	
		283		284		285	
		286		287		288	
		289		290		291	
		292		293		294	
		295		296		297	
		298		299		300	
		301		302		303	
		304		305		306	
		307		308		309	
		310		311		312	
		313		314		315	
		316		317		318	
		319		320		321	
		322		323		324	
		325		326		327	
		328		329		330	
		331		332		333	
		334		335		336	
		337		338		339	
		340		341		342	
		343		344		345	
		346		347		348	
		349		350		351	
		352		353		354	
		355		356		357	
		358		359		360	
		361		362		363	
		364		365		366	
		367		368		369	
		370		371		372	
		373		374		375	
		376		377		378	
		379		380		381	
		382		383		384	
		385		386		387	
		388		389		390	
		391		392		393	
		394		395		396	
		397		398		399	
		400		401		402	
		403		404		405	
		406		407		408	
		409		410		411	
		412		413		414	
		415		416		417	
		418		419		420	
		421		422		423	
		424		425		426	
		427		428		429	
		430		431		432	
		433		434		435	
		436		437		438	
		439		440		441	
		442		443		444	
		445		446		447	
		448		449		450	
		451		452		453	
		454		455		456	
		457		458		459	
		460		461		462	
		463		464		465	
		466		467		468	
		469		470		471	
		472		473		474	
		475		476		477	
		478		479		480	
		481		482		483	
		484		485		486	
		487		488		489	
		490		491		492	
		493		494		495	
		496		497		498	
		499		500		501	
		502		503		504	
		505		506		507	
		508		509		510	
		511		512		513	
		514		515		516	
		517		518		519	
		520		521		522	
		523		524		525	
		526		527		528	
		529		530		531	
		532		533		534	
		535		536		537	
		538		539		540	
		541		542		543	
		544		545		546	
		547		548		549	
		550		551		552	
		553		554		555	
		556		557		558	
		559		560		561	
		562		563		564	
		565		566		567	
		568		569		570	
		571		572		573	
		574		575		576	
		577		578		579	
		580		581		582	
		583		584		585	
		586		587		588	
		589		590		591	
		592		593		594	
		595		596		597	
		598		599		600	
		601		602		603	
		604		605		606	
		607		608		609	
		610		611		612	
		613		614		615	
		616		617		618	
		619		620		621	
		622		623		624	
		625		626		627	
		628		629		630	
		631		632		633	
		634		635		636	
		637		638		639	
		640		641		642	
		643		644		645	
		646		647		648	
		649		650		651	
		652		653		654	
		655		656		657	
		658		659		660	
		661		662		663	
		664		665		666	
		667		668		669	
		670		671		672	
		673					



机型版本 Ver.D

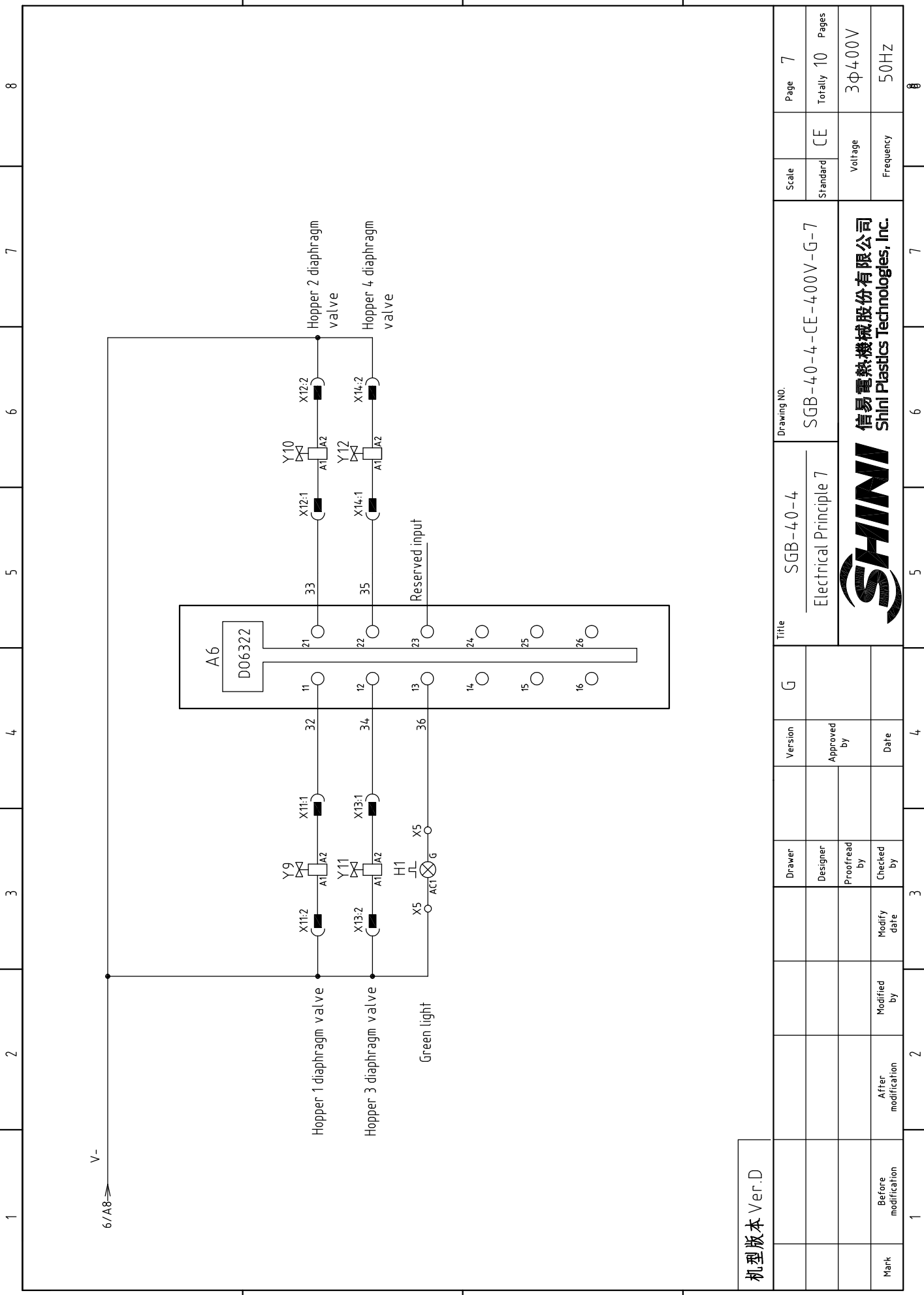
1	2	3	4	5	6	7	8
Title		G		Version		G	
SGB-40-4		Electrical Principle 5		SGB-40-4-CE-400V-G-5		Drawing NO.	
Scale		Standard		CE		Page 5	
Voltage		Frequency		3Φ400V		Totally 10 Pages	
Mark		Before modification		After modification		Modified by	
5		4		3		2	
SHINI		信易电热机械股份有限公司		Shini Plastics Technologies, Inc.		50HZ	
1		2		3		4	
5		6		7		8	



机型版本 Ver.D

Mark	Before modification	After modification	Modified by	Modify date	Checked by	Proofread by	Designer	Drawer	Version	G	Title	Drawing NO.		Scale	Page
											SGB-40-4 Electrical Principle 6	SGB-40-4-CE-400V-G-6		Standard	6
														CE	Totally 10
															Pages
															3φ400V
															50Hz

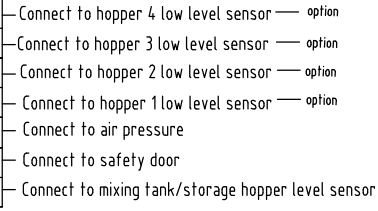
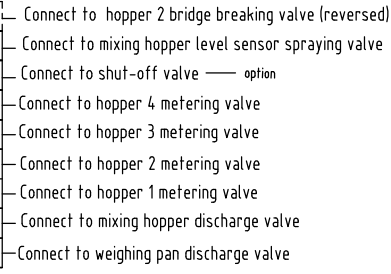
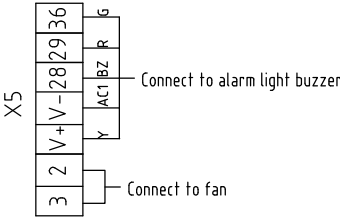
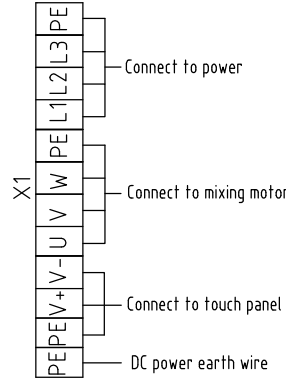
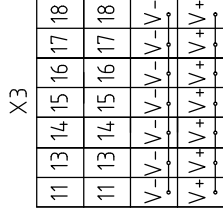
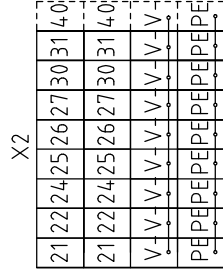
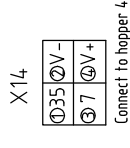
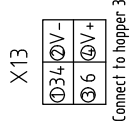
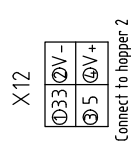
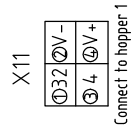
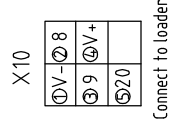
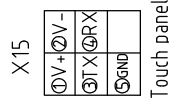
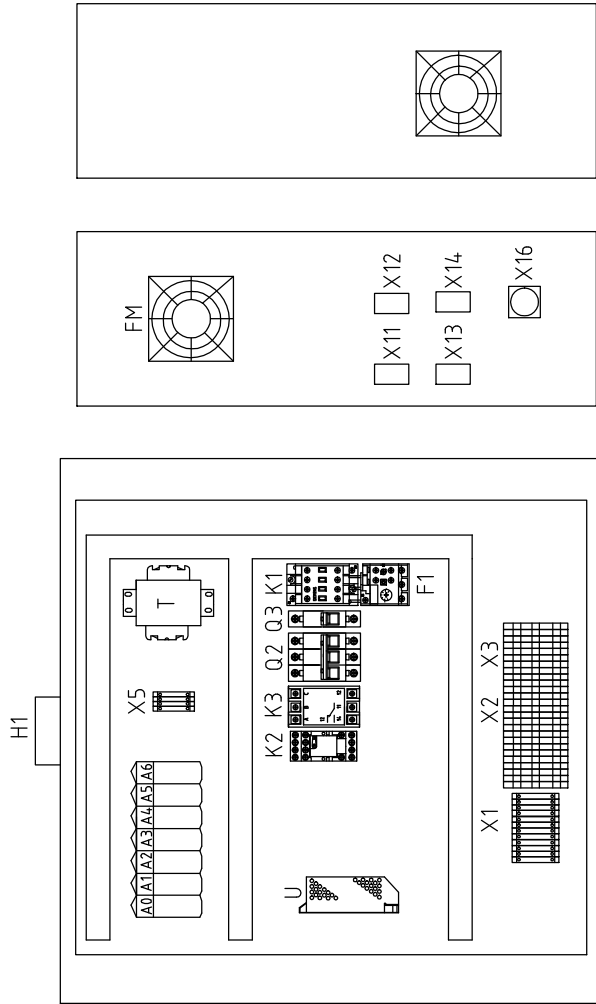
SHINI
信易電熱機械股份有限公司
Shini Plastics Technologies, Inc.



机型版本 Ver.D

Mark	Before modification	Modified by	Modify date	Checked by	Proofread by	Designer	Drawer	Version	G	Title	Drawing NO.		Page	7	
	After modification	Modified by	Modify date	Checked by	Proofread by	Designer	Drawer				Standard	CE			Totally
											Voltage	3Φ400V			
											Frequency	50HZ			
1	2	3	4	5	6	7	8								





机型版本 Ver.D

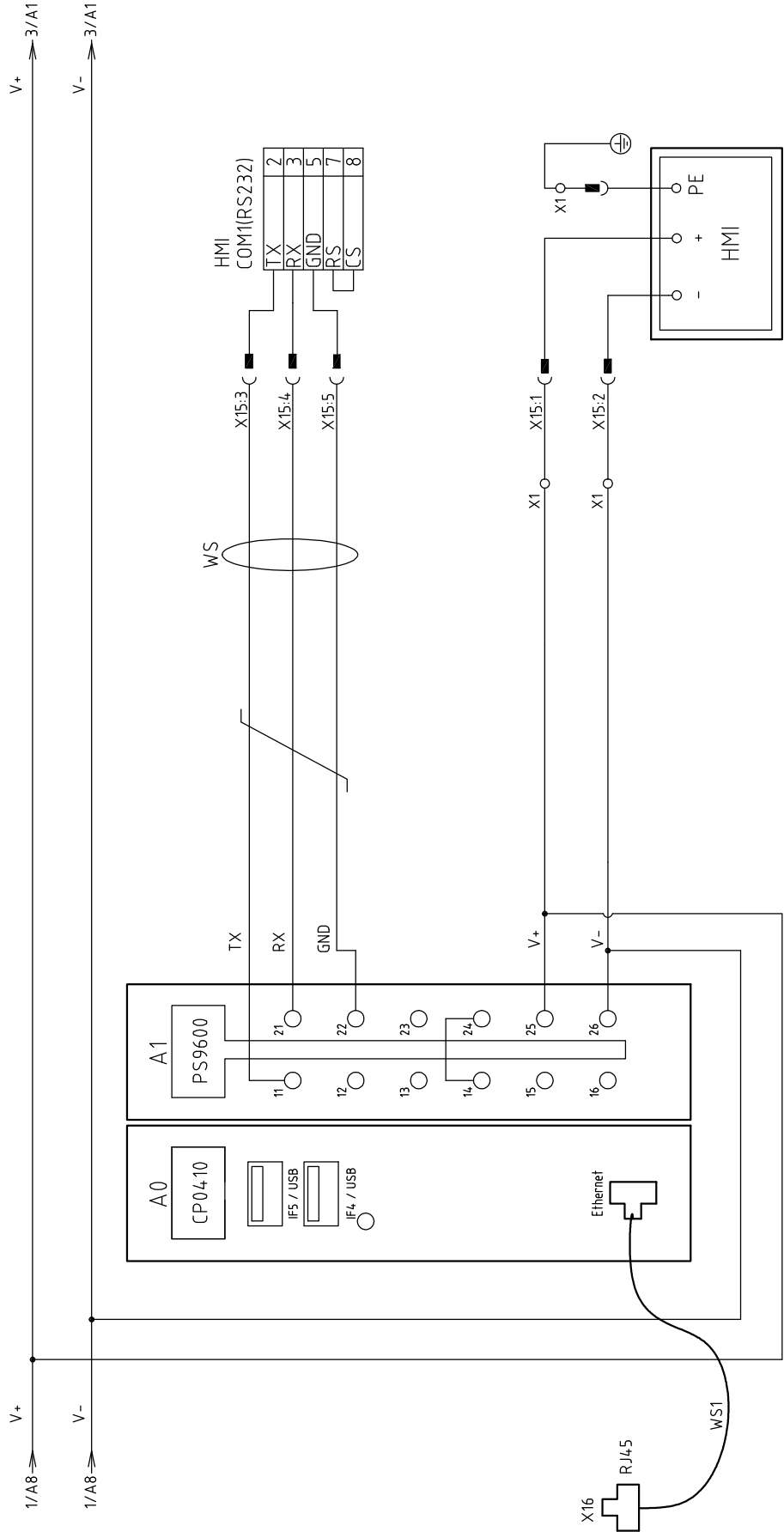
Title	SGB-40-4		Drawing NO.	SGB-40-4-CE-400V-G-8		Scale	Page 8
	Elec. layout & Wiring Diagram			Standard CE	Totally 10		Pages
Designer	Proofread by	Checked by	Modified by	Modified date	Approved by	Date	Voltage 3φ400V
Drawer	Version	G	3	4	5	6	
Mark	Before modification	After modification	1	2	3	4	8



1	2		3	4	5	6	7	8
NO.	Symbol	Name	Manufacturer	Type	Specification	Number	Material number	Remark
1	Q1	Main power switch	EATON	TO-2-1/EA/SVB	20A	1	YE10021160000	
2	Q2	Circuit breakers	TECO	BM-63C 3P	6A	1	YE40300603000	
3	Q3	Circuit breaker	TECO	BM-63C	3A	1	YE40100203000	
4	S3	Capacitive proximity switch	IFM	KI 5082	10~36VDC	1	----	(1)
5	S7~S10	Capacitive proximity switch	IFM	KI 5082	10~36VDC	4	----	(1) (2)
6	S5	Safety switch	SCHMERSRC	AZ152VK-1476	AC-15	1	----	(1)
7	S6	Pressure switch	FOX	K4SA02	1~12KG	1	----	(1)
8	K1	Contactors	SIEMENS	3RT6015-1AN21	230V 50/60Hz	1	YE00601521000	
9	K2	Middle relay	WEIDMULLER	DRM270024LT	24VDC 12A	1	YE03272400000	
10	K3	Phase sequence relay	CHAOSHI	ABJ2-12W	400V	1	YE03103800000	
11	F1	Thermal overload relays	SIEMENS	3RU6116-0JB0	0.7-1.0A	1	YE01160700000	
12	T	Transformer	JIUXIN	IN=400V/415V OUT=230V	500mA	1	YE70040005200	
13	U	DC power	MEAN WELL	S-100-24	+24V 4.5A	1	YE71102400000	
14	A0~A7	4组行程重样料机控制器/Controller	B&R	-----	-----	1	YE80024000100	Cancel
15	A0	CPU/controller	B&R	X20 CP04.10	-----	1	YE80041000200	New
16		CPU base	B&R	X20 BB52	-----	1	YE80041100300	
17	A1	Power module	B&R	X20 PS9600	-----	1	YE80960000000	New
18	A2	Input module	B&R	X20 DI9371	-----	1	YE80937100000	New
19	A3	Weighing module	B&R	X20 AI1744	-----	1	YE80200000500	New
20	A4	Output module	B&R	X20 DO9322	-----	1	YE80209300000	New
21	A5	Common module	B&R	X20 CM8281	-----	1	YE80200000700	New
22	A6	Output module	B&R	X20 DO6322	-----	1	YE80632200000	New
23		12 core terminal block	B&R	X20 TB12	-----	6	YE80201100000	New
24		I/O bus module	B&R	X20 BM11	-----	5	YE80200100000	New
25	HMI	Human-machine interface	SCHNEIDER	GXU3512	24VDC	1	YE80351200100	
机型版本 Ver.D								
Notes: (1) Materials not in the control box; (2) Optional low level sensor; (3) Optional bridge breaking valve; (4) Optional shut-off valve;								
			Drawer	Version	Title		Scale	Page 9
			Designer	Approved by	SGB-40-4		Standard	Totally 10 Pages
			Proofread by	Date	Elec. Parts List 1		CE	3φ4.00V
			Checked by	20201027			Voltage	50Hz
Mark	Before modification	After modification	Modified by	Modify date			Frequency	
1		2	3	4	5	6	7	8



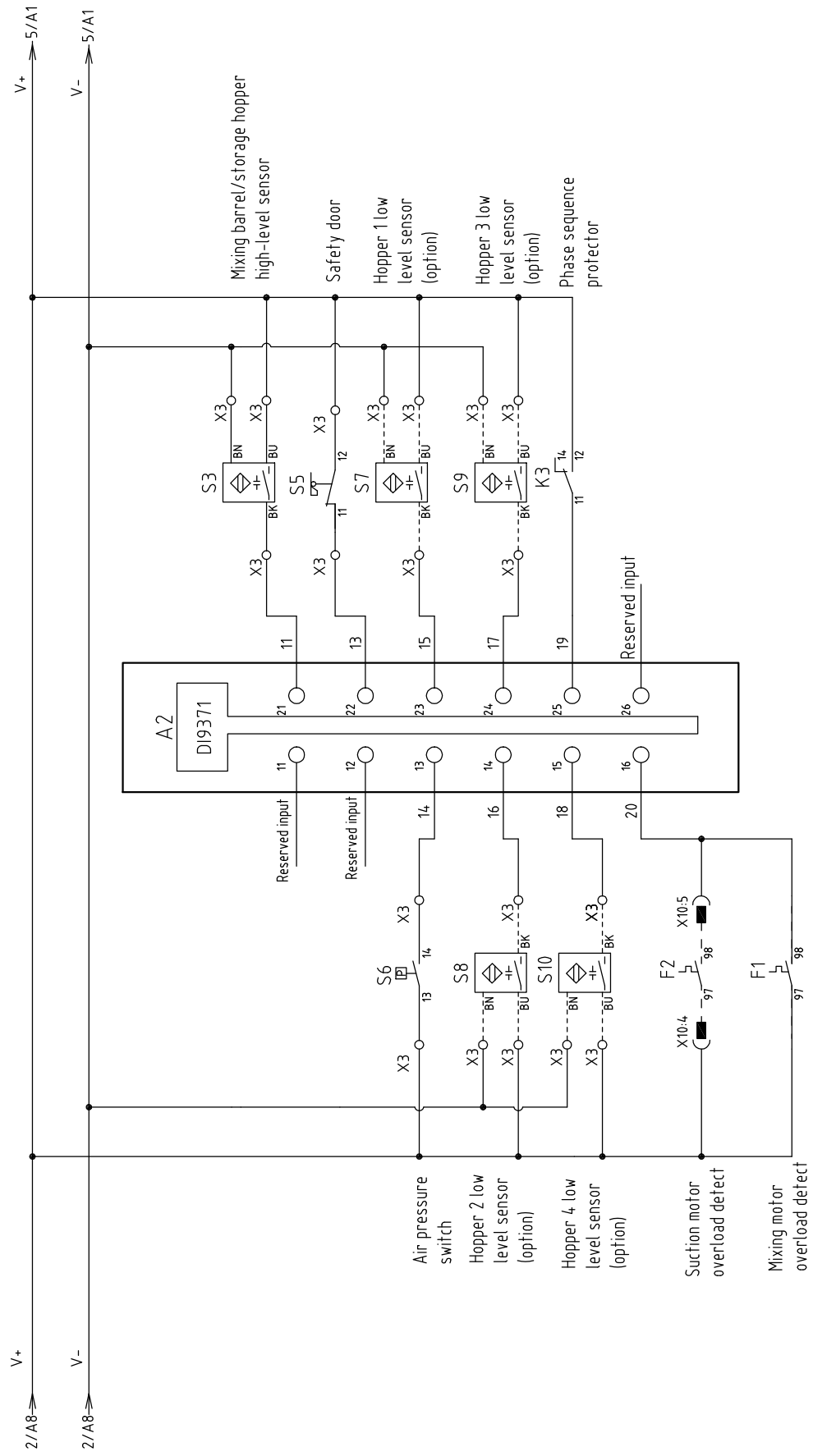
信易电热机械股份有限公司
Shini Plastics Technologies, Inc.



机型版本 Ver.D

Mark	Before modification	Modified by	Modify date	Checked by	Date	20201027	Proofread by	Approved by	Version	G	Title	SGB-200-4 Electrical Principle 2		Drawing NO.	SGB-200-4-CE-400V-G-2		Scale	Standard	CE	Page	2	
	After modification																			Totally	10	
																					Voltage	3φ400V
																					Frequency	50Hz

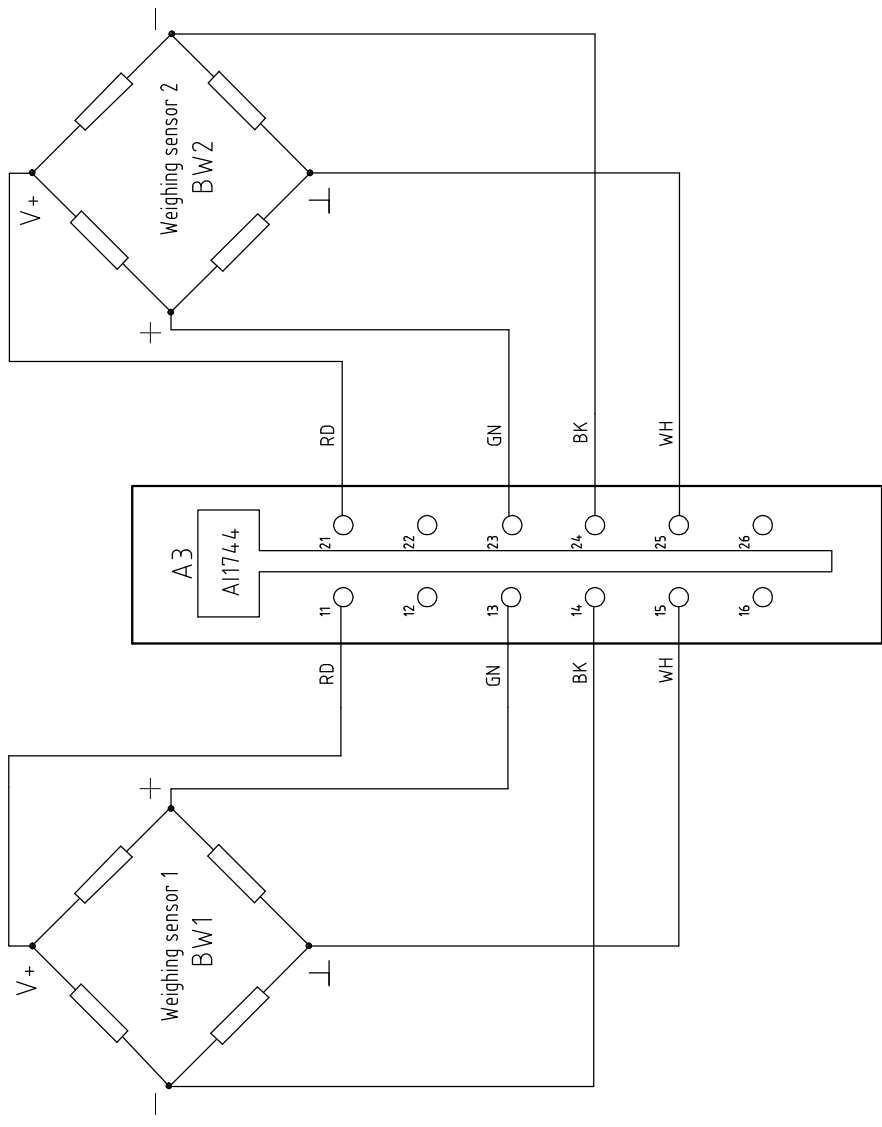





机型版本 Ver.D

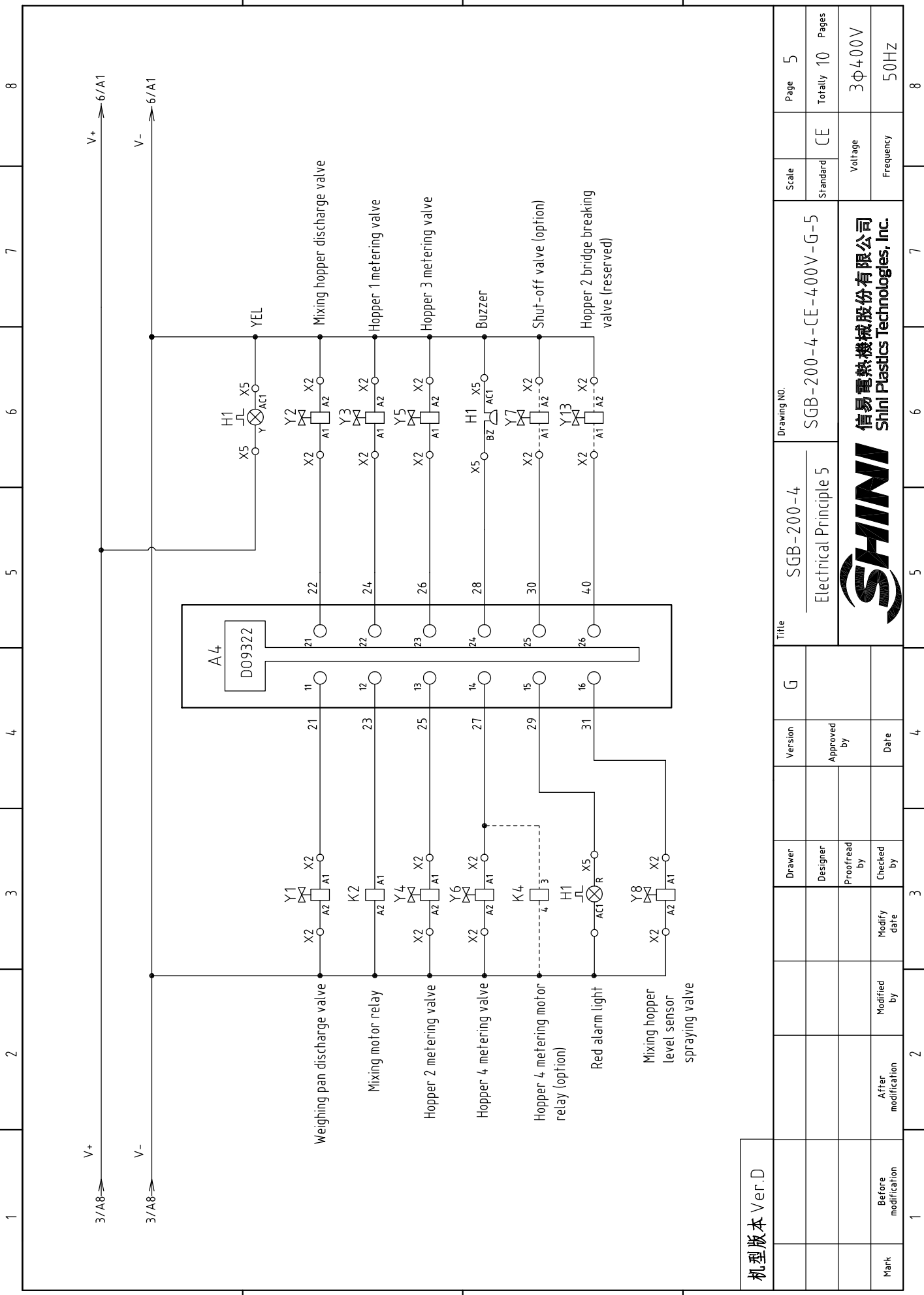
Title		SGB-200-4		Drawing NO.		Page 3	
Electrical Principle 3		SGB-200-4-CE-400V-G-3		Standard		CE	
Version		G		Voltage		3φ400V	
Approved by				Frequency		50Hz	
Date		20201027		Totally		10 Pages	
Modified by				Voltage		3φ400V	
Modify date				Frequency		50Hz	
After modification				Totally		10 Pages	
Before modification				Voltage		3φ400V	
Mark				Frequency		50Hz	





机型版本 Ver.D

Drawer	Version	Title		Scale	Page				
Designer	Approved by	SGB-200-4		Standard	4				
Proofread by	Date	Electrical Principle 4		CE	Totally				
Checked by		SGB-200-4-CE-4.00V-G-4			10				
Modify date		 信易电热机械股份有限公司 Shini Plastics Technologies, Inc.		Voltage	3φ400V				
After modification				Frequency	50Hz				
Before modification		1	2	3	4	5	6	7	8

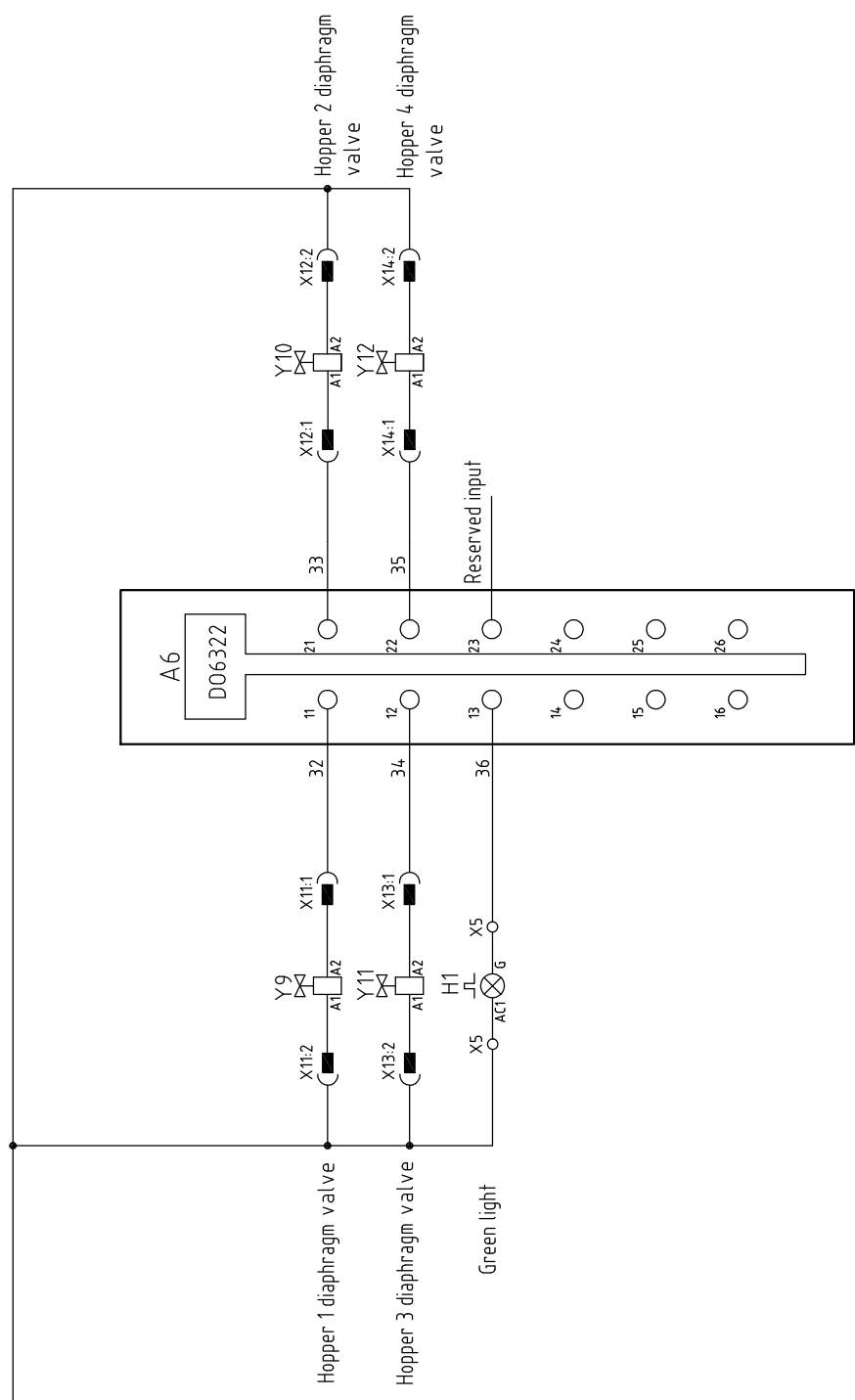


机型版本 Ver.D

1	2	3	4	5	6	7	8
Mark	Before modification	After modification	Modified by	Modify date	Checked by	Proofread by	Designer
Drawer							
Version	G	Title		SGB-200-4		Electrical Principle 5	
Approved by		Drawing NO.		SGB-200-4-CE-400V-G-5		Scale	CE
Date		Page		5		Voltage	
		Totally		10		Frequency	
						3φ400V	
						50Hz	
1	2	3	4	5	6	7	8



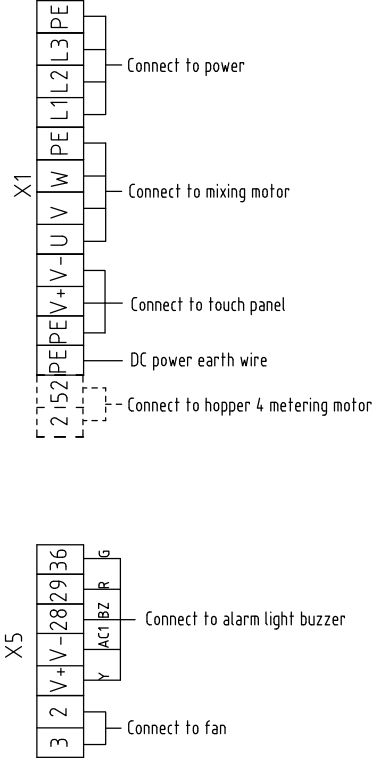
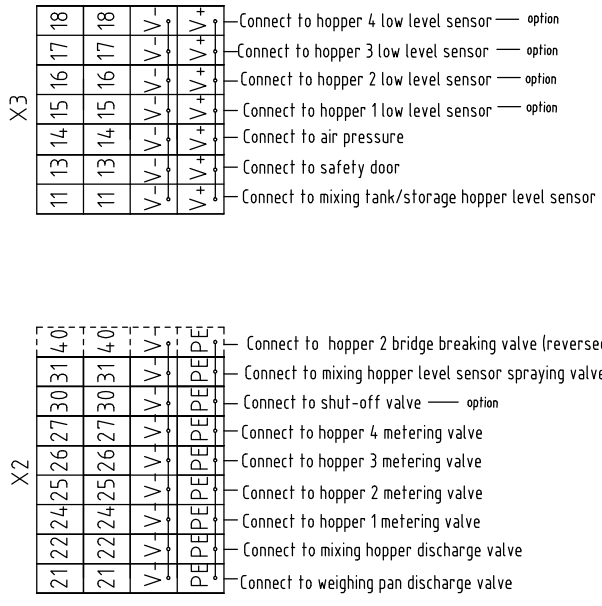
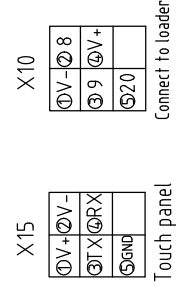
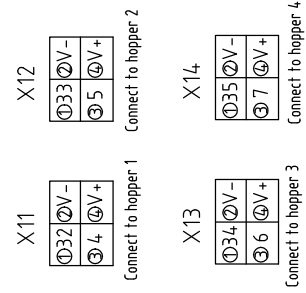
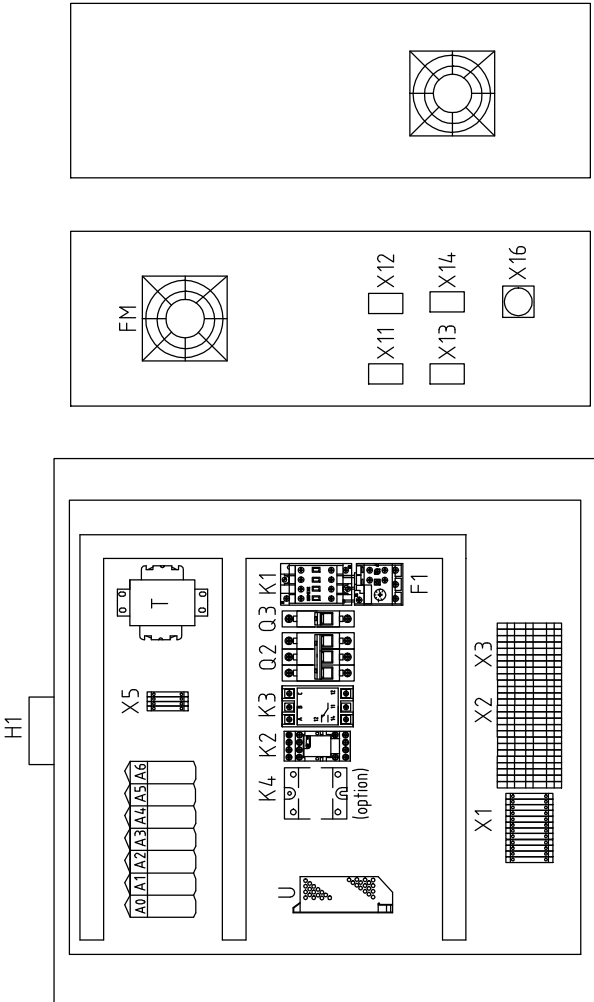
6/A8 → V-



机型版本 Ver.D

Mark	Before modification	Modified by	Modify date	Proofread by	Checked by	Designer	Drawer	Version	Title		Drawing NO.		Scale	Page
	After modification								SGB-200-4	Electrical Principle 7	SGB-200-4-CE-400V-G-7	Standard	7	
												CE	Totally 10	Pages
													Voltage	3φ400V
													Frequency	50Hz

SHINI
信易電熱機械股份有限公司
Shini Plastics Technologies, Inc.



Drawing NO.		Page 8	
SGB-200-4		Totally 10 Pages	
Elec. layout & Wiring Diagram		Standard CE	
SGB-200-4-CE-400V-G-8		Voltage 3φ400V	
信易熱機械股份有限公司 Shini Plastics Technologies, Inc.		Frequency 50Hz	

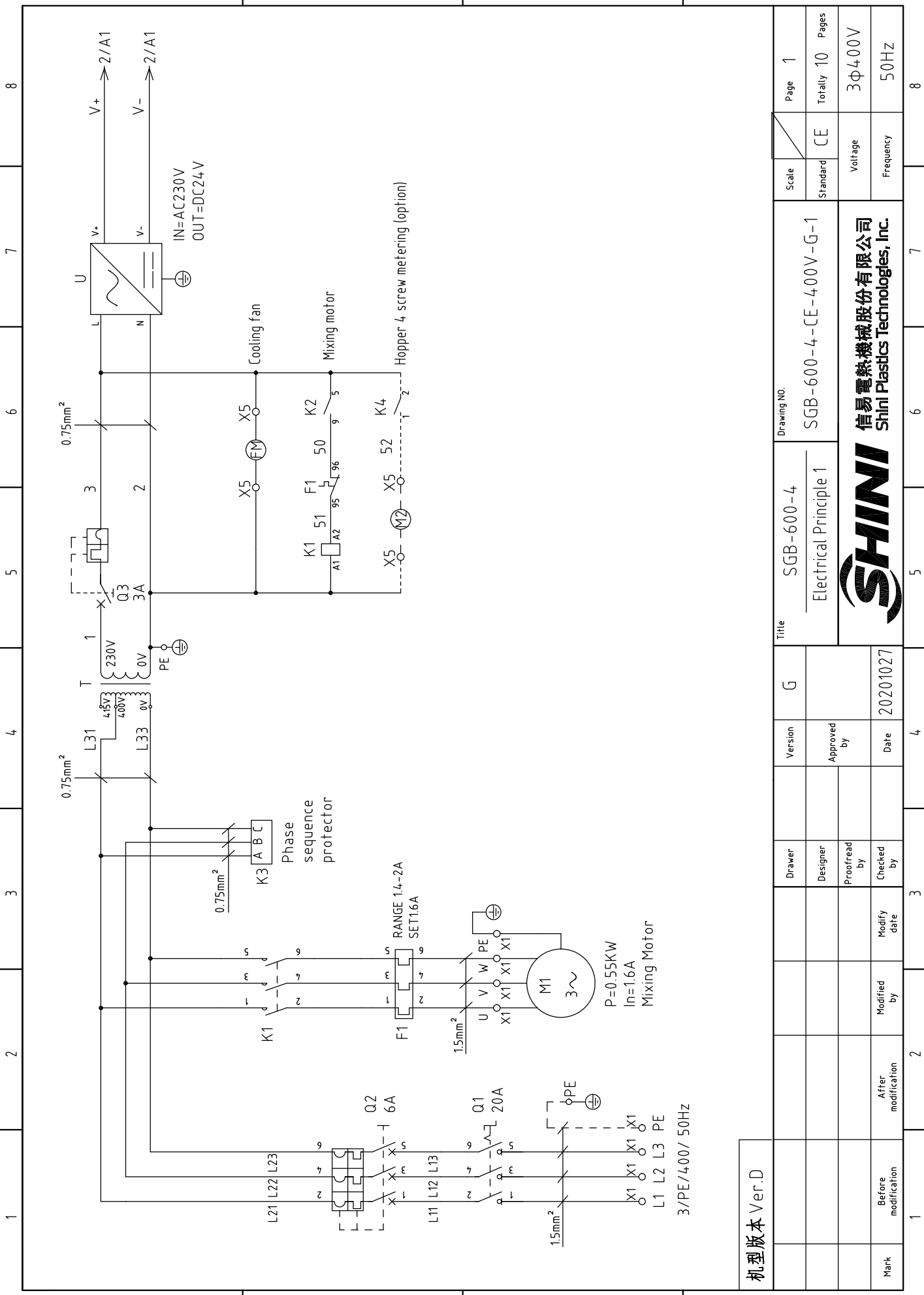
机型版本 Ver.D	Drawer	Designer	Proofread by	Checked by	Modify date	Modified by	After modification

1	2	3	4	5	6	7	8	
NO.	Symbol	Name	Manufacturer	Type	Specification	Number	Material number	Remark
1	Q1	Main power switch	EATON	TO-2-1/EA/SVB	20A	1	YE10021160000	
2	Q2	Circuit breakers	TECO	BM-63C 3P	6A	1	YE40300603000	
3	Q3	Circuit breakers	TECO	BM-63C	3A	1	YE40100203000	
4	S3	Capacitive proximity switch	IFM	KI 5082	10~36VDC	1	----	(1)
5	S7~S10	Capacitive proximity switch	IFM	KI 5082	10~36VDC	4	----	(1) (2)
6	S5	Safety switch	SCHMERSRC	AZ152VK-1476	AC-15	1	----	(1)
7	S6	Pressure switch	FOX	K45A02	1~12KG	1	----	(1)
8	K1	Contactors	SIEMENS	3RT6015-1AN21	230V 50/60Hz	1	YE00601521000	
9	K2	Middle relay	WEIDMULLER	DRM2700Z4LT	24VDC 12A	1	YE03272400000	
10	K3	Phase sequence relay	CHAOSHI	ABJ2-12W	400V	1	YE03103800000	
11	K4	Solid state relay	FOTEK	KSR-40DA-H	40A/480VAC/4-32VDC	1	YE03404003200	(5)
12	F1	Thermal overload relays	SIEMENS	3RU6116-0JB0	0.7-1.0A	1	YE01160700000	
13	T	Transformer	JIUXIN	IN=400V/415V OUT=230V	500mA	1	YE70040005200	
14	U	DC power	MEAN WELL	S-100-24	+24V 4.5A	1	YE71102400000	
15	A0~A7	组份秤重量料机控制器/Controller	B&R	-----	-----	1	YE80024000100	Cancel
16	A0	CPU/controller	B&R	X20 CP0410	-----	1	YE80041000200	New
17		CPU base	B&R	X20 BB52	-----	1	YE80041100300	New
18	A1	Power module	B&R	X20 PS9600	-----	1	YE80960000000	New
19	A2	Input module	B&R	X20 DI9371	-----	1	YE80937100000	New
20	A3	Weighing module	B&R	X20 AI1744	-----	1	YE80200000500	New
21	A4	Output module	B&R	X20 DO9322	-----	1	YE80209300000	New
22	A5	Common module	B&R	X20 CM8281	-----	1	YE80200000700	New
23	A6	Output module	B&R	X20 DO6322	-----	1	YE80632200000	New
24		12 core terminal block	B&R	X20 TB12	-----	6	YE80201100000	New
25		I/O bus module	B&R	X20 BM11	-----	5	YE80200100000	New

机版本 Ver.D		Notes: (1) Materials not in the control box; (2) Optional low level sensor; (3) Optional bridge breaking valve; (4) Optional shut-off valve;	
Mark	Before modification	Modified by	Modify date
			20201027
Title		G	
SGB-200-4		Version	
Elec. Part's List 1		Approved by	
Drawing NO.		Date	
SGB-200-4-CE-400V-G-9		20201027	
Scale	CE	Date	
Standard	CE	20201027	
Voltage		Date	
3φ400V		20201027	
Frequency		Date	
50Hz		20201027	
Page	Totally	Date	
9	10	20201027	
Page		Date	
8		20201027	



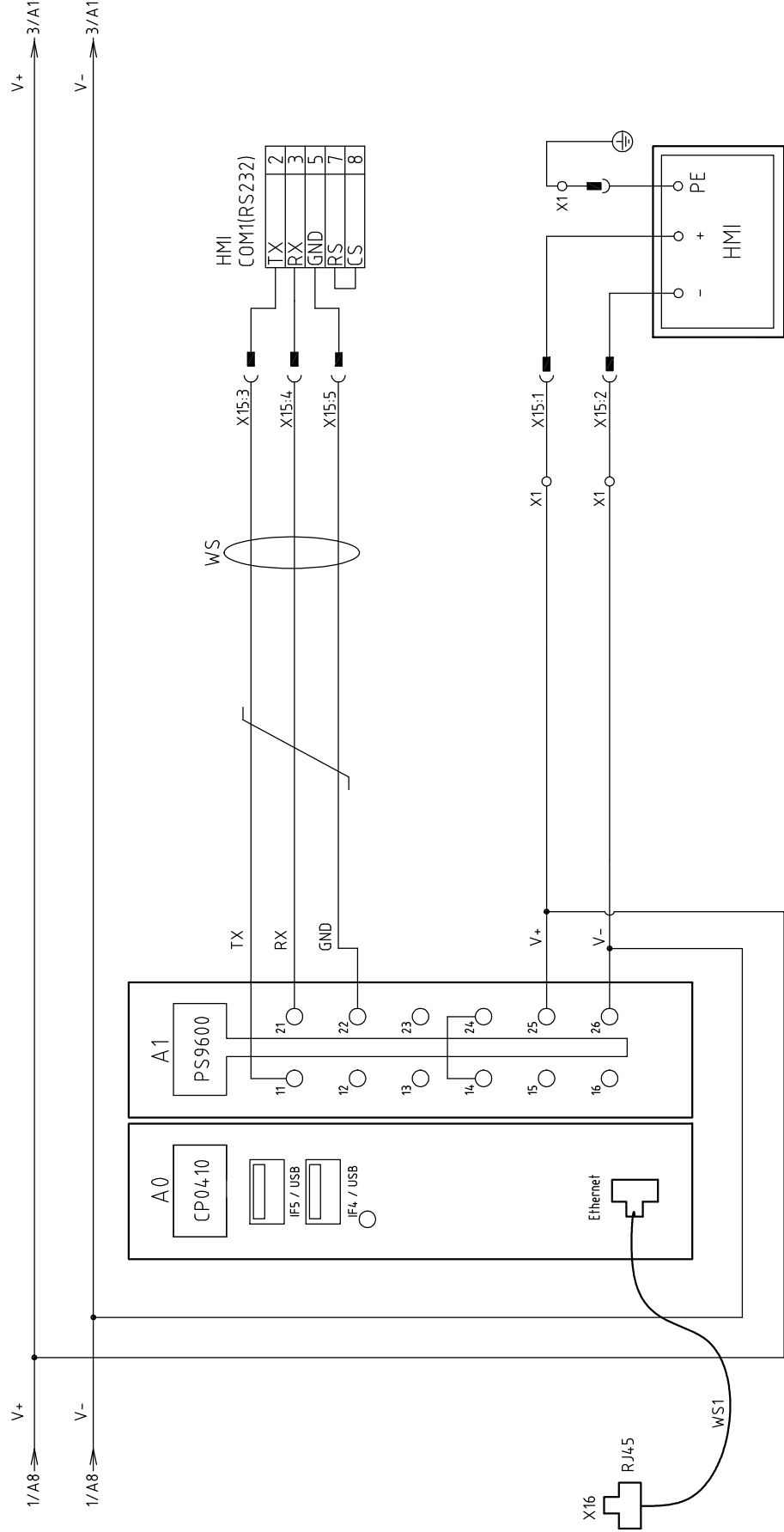
信易电热机械股份有限公司
Shini Plastics Technologies, Inc.



机型版本 Ver.D

Mark	Before modification	After modification	Modified by	Modify date	Checked by	Proofread by	Designer	Drawer	Version	G	Title		Drawing NO.		Scale	Page 1
											SGB-600-4		SGB-600-4-CE-400V-G-1		Standard	Totally 10
									Approved by		Electrical Principle 1		CE			Pages
									Date	20201027						3Φ400V
																50Hz
																8

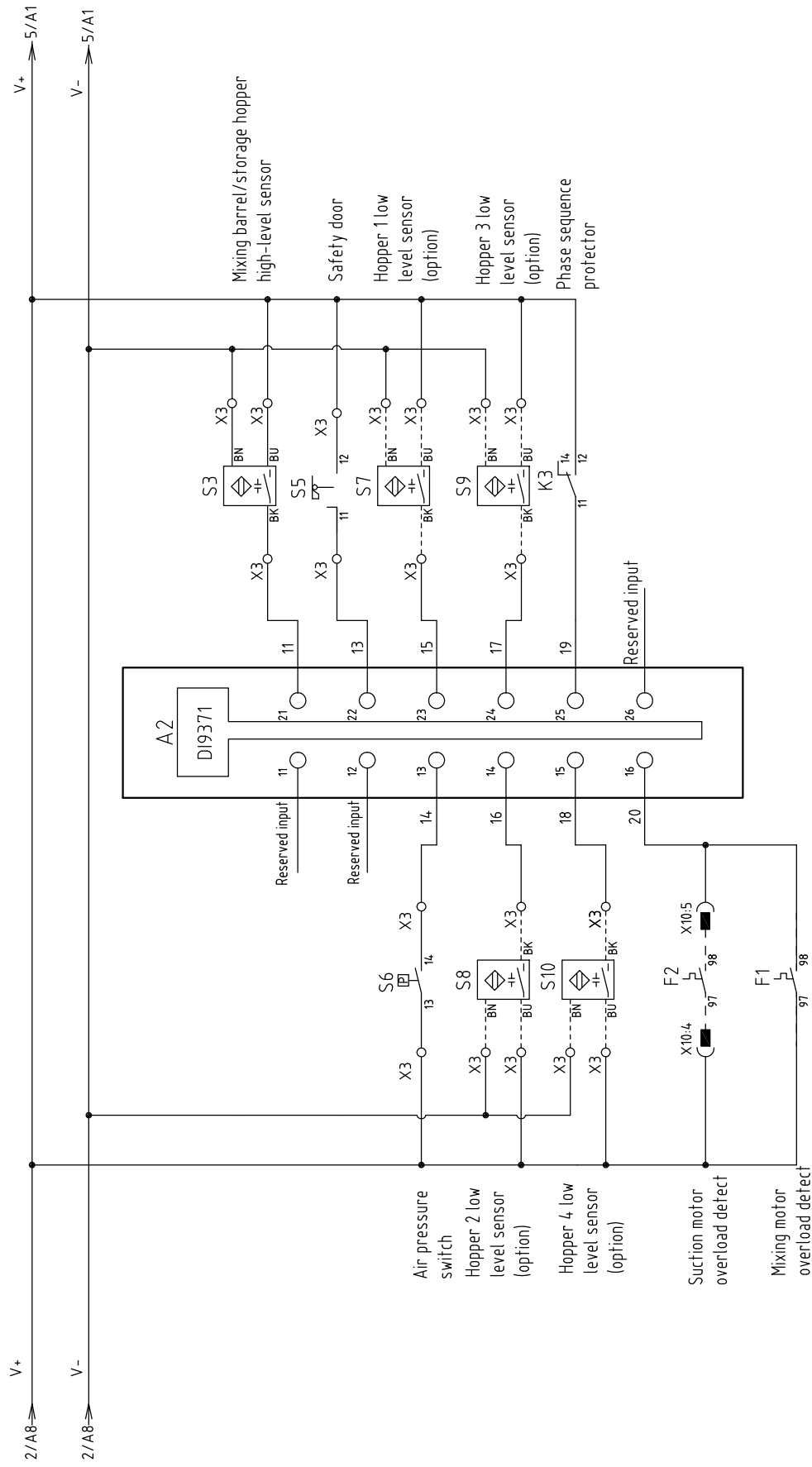




机型版本 Ver.D

Mark	Before modification	Modified by	Modify date	Checked by	Proofread by	Designer	Drawer	Version	G	Title	Drawing NO.		Scale	Page 2
	After modification										Modified by	Modify date		
											Voltage		3φ400V	
											Frequency		50Hz	

SHINI
信易電熱機械股份有限公司
Shini Plastics Technologies, Inc.

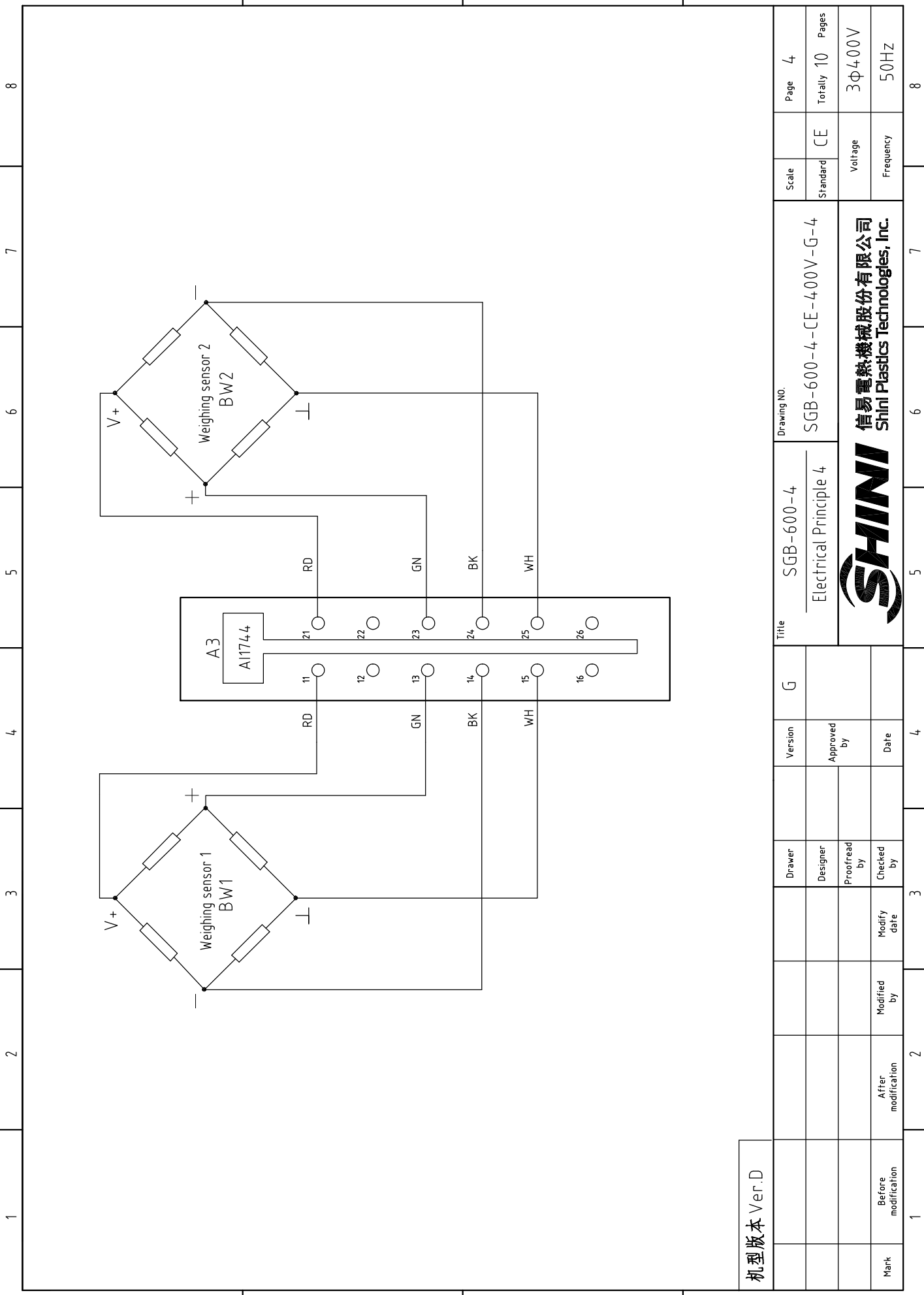


机型版本 Ver.D

Mark	Before modification	Modified by	Modify date	Proofread by	Checked by	Designer	Drawer	Version	Title		Drawing NO.		Scale	Page
									SGB-600-4 Electrical Principle 3		SGB-600-4-CE-4.00V-G-3		Standard	Page
	After modification												CE	Totally 10
													Voltage	Pages
													3φ4.00V	8
													Frequency	50Hz



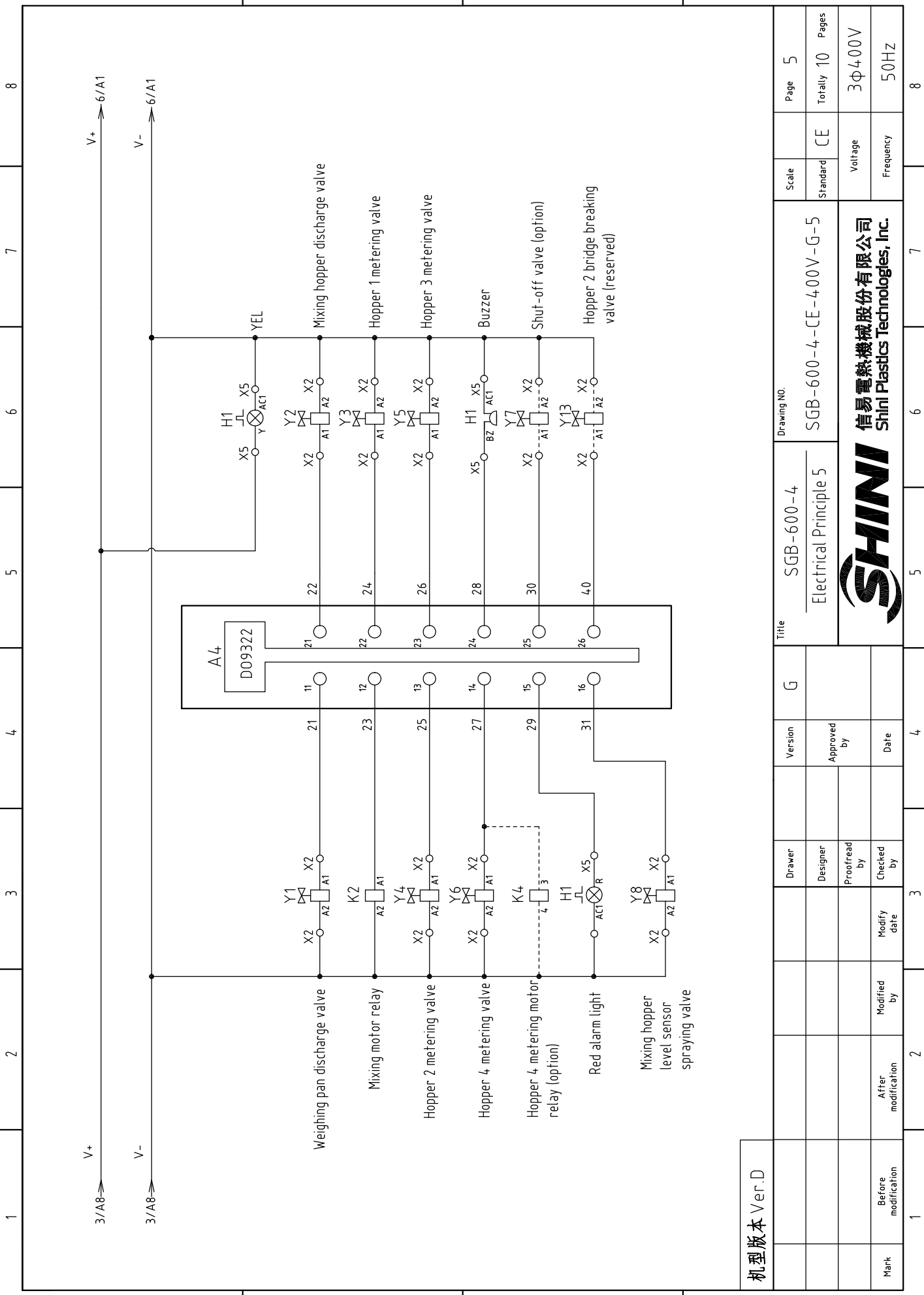
信易電熱機械股份有限公司
Shini Plastics Technologies, Inc.



机型版本 Ver.D

Drawer	Version	Title		Drawing NO.		Scale	Page
Designer	Approved by	SGB-600-4		SGB-600-4-CE-400V-G-4		Standard	Totally
Proofread by	Date	Electrical Principle 4		CE		Voltage	Pages
Checked by	Modify date					Frequency	3Φ400V
Modified by	After modification						50HZ
Mark	Before modification						8

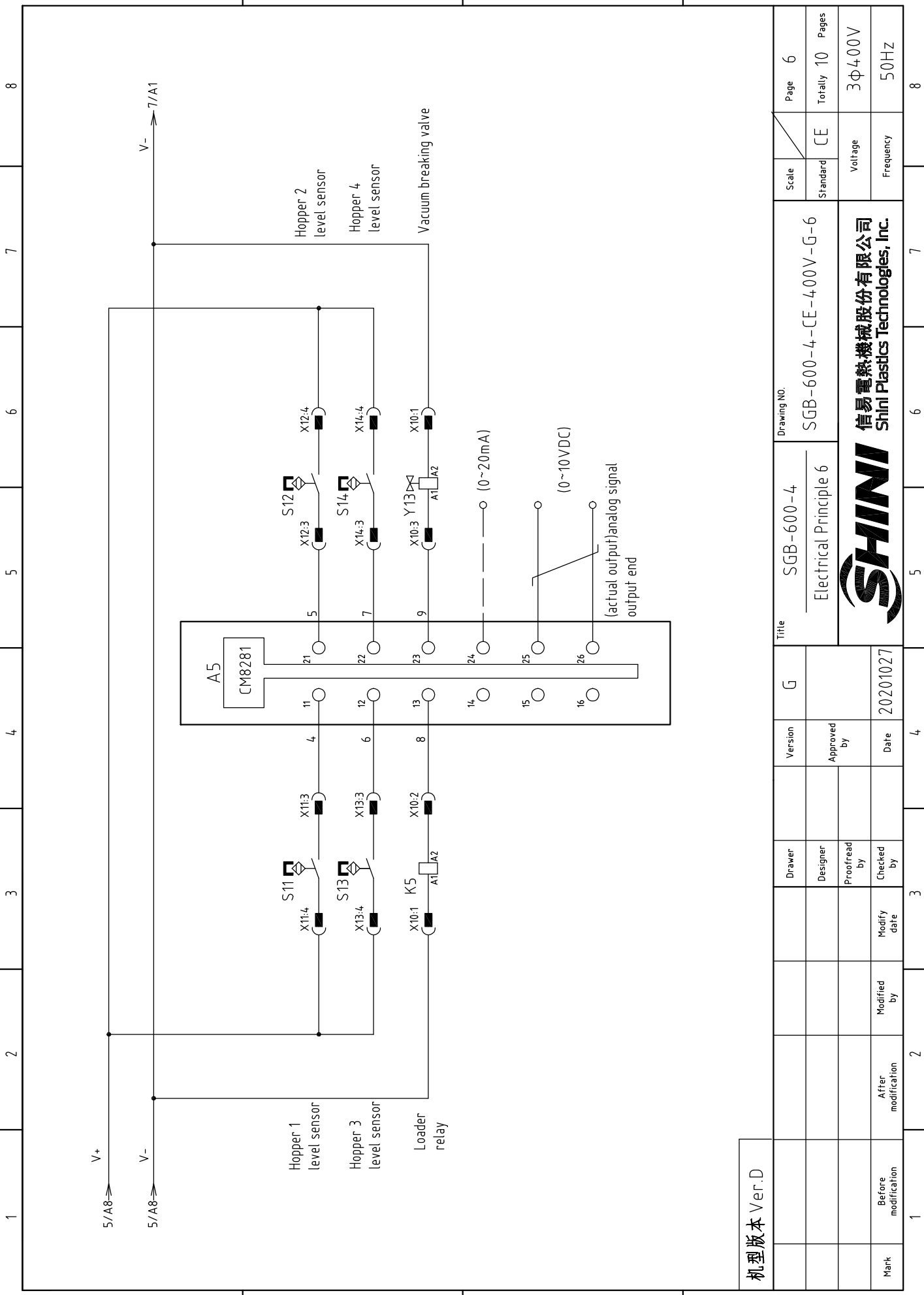




机型版本 Ver.D

1	2	3	4	5	6	7	8
Title		SGB-600-4 Electrical Principle 5		Drawing NO.		SGB-600-4-CE-400V-G-5	
Version		G		Scale		Page 5	
Designer		Approved by		Standard		Totally 10 Pages	
Proofread by		Checked by		Voltage		3φ400V	
Modify date		Modified by		Frequency		50Hz	
Mark		After modification		Voltage		3φ400V	
Before modification		Modified by		Frequency		50Hz	
1	2	3	4	5	6	7	8





机 型 版 本 Ver.D																				
Mark	Before modification	After modification	Modified by	Modify date	Checked by	Proofread by	Designer	Drawer	Version	G	Title	SGB-600-4		Drawing NO.		Scale	Page	6		
											Electrical Principle 6	SGB-600-4-CE-4.00V-G-6		Standard	CE	Totally	10	Pages		
																Voltage	3φ4.00V			
																Frequency	50HZ			
1	2	3	4	5	6	7	8	9	10	11	12	13	14	15	16	17	18	19	20	21

SHINI
 信易電熱機械股份有限公司
 Shini Plastics Technologies, Inc.

1	2		3	4	5	6	7	8
NO.	Symbol	Name	Manufacturer	Type	Specification	Number	Material number	Remark
1	Q1	Main power switch	EATON	T0-2-1/EA/SVB	20A	1	YE10021160000	
2	Q2	Circuit breakers	TECO	BM-63C 3P	6A	1	YE40300603000	
3	Q3	Circuit breaker	TECO	BM-63C	3A	1	YE40100203000	
4	S3	Capacitive proximity switch	IFM	KI 5082	10~36VDC	1	----	(1)
5	S7~S10	Capacitive proximity switch	IFM	KI 5082	10~36VDC	4	----	(1) (2)
6	S5	Safety switch	SCHMERSRC	AZ152VK-14.76	AC-15	1	----	(1)
7	S6	Pressure switch	FOX	K4SA02	1~12KG	1	----	(1)
8	K1	Contactors	SIEMENS	3RT6015-1AN21	230V 50/60Hz	1	YE00601521000	
9	K2	Middle relay	WEIDMULLER	DRM270024LT	24VDC 12A	1	YE032724.00000	
10	K3	Phase sequence relay	CHAOSHI	ABJ2-12W	4.00V	1	YE03103800000	
11	K4	Solid state relay	FOTEK	KSR-40DA-H	4.0A/480VAC/4~32VDC	1	YE034.04.003200	(5)
12	F1	Thermal overload relays	SIEMENS	3RU6116-1BB0	1.4-2A	1	YE0116014.0000	
13	T	Transformer	JIUXIN	IN=4.00V/4.15V OUT=230V	500mA	1	YE7004.0005200	
14	U	DC power	MEAN WELL	S-100-24	+24V 4.5A	1	YE711024.00000	
15	A0~A7	4组价秤重量材料控制器/Controller	B&R	----	----	1	YE80024.000100	Cancel
16	A0	CPU/controller	B&R	X20 CP04.10	----	1	YE8004.1000200	New
17		CPU base	B&R	X20 BB52	----	1	YE8004.1100300	New
18	A1	Power module	B&R	X20 PS9600	----	1	YE80960000000	New
19	A2	Input module	B&R	X20 DI9371	----	1	YE80937100000	New
20	A3	Weighing module	B&R	X20 AI1744	----	1	YE80200000500	New
21	A4	Output module	B&R	X20 DO9322	----	1	YE80209300000	New
22	A5	Common module	B&R	X20 CM8281	----	1	YE80200000700	New
23	A6	Output module	B&R	X20 DO6322	----	1	YE80632200000	New
24		12 core terminal block	B&R	X20 TB12	----	6	YE80201100000	New
25		I/O bus module	B&R	X20 BM11	----	5	YE80200100000	New
机型版本 Ver.D								
Notes: (1) Materials not in the control box; (2) Optional low level sensor; (3) Optional bridge breaking valve; (4) Optional shut-off valve;								
			Drawer	Version	Title		Scale	Page 9
			Designer	Approved by	SGB-600-4		Standard	Totally 10 Pages
			Proofread by	Date	Elec. Parts List 1		CE	
			Checked by	20201027			Voltage	3φ4.00V
Mark			Before modification	Modified by	Modify date	Frequency		50Hz
1	2	3	4	5	6	7	8	




信易電熱機械股份有限公司
Shini Plastics Technologies, Inc.

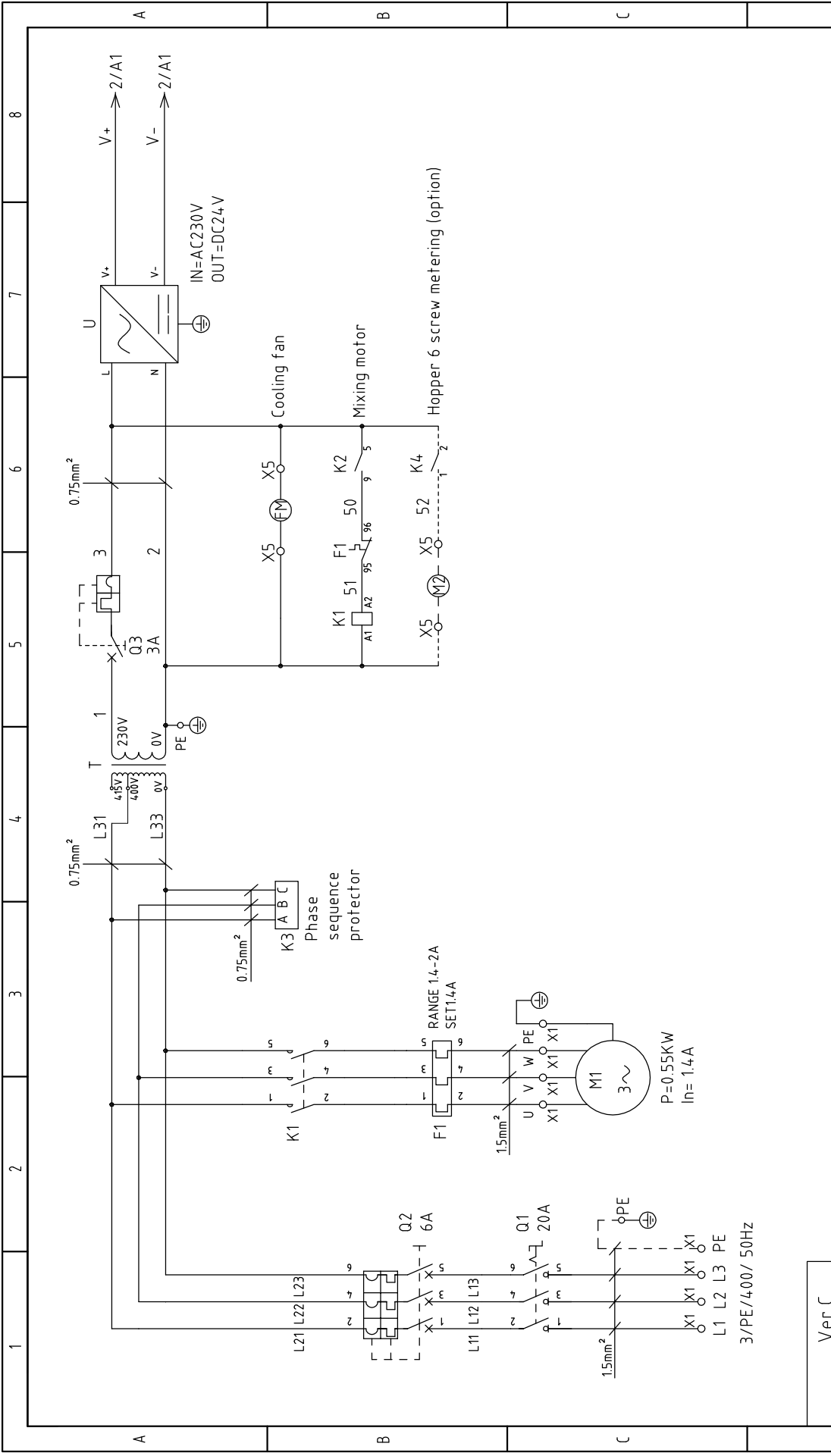
1	2	3	4	5	6	7	8	
NO.	Symbol	Name	Manufacturer	Type	Specification	Number	Material number	Remark
26	HMI	Human-machine interface	SCHNEIDER	GXU3512	24VDC	1	YE80351200100	
27	H1	3-color alarm lamp buzzer	SHINI	PK-27A	24VDC	1	BL90002401520	
28	X1	Terminal	Honeywell	SK2.5	2.5mm ²	8	YE60002503200	
29	X1	Terminal	Honeywell	GK2.5PE	2.5mm ² PE	4	YE60002503400	
30	X1	Terminal	Honeywell	SK2.5	2.5mm ²	2	YE60002503200	(5)
31	X2,X3	Terminal	Honeywell	SK2.5-TL	250V 2.5	15	YE60002503600	
32	X2	Terminal	Honeywell	SK2.5-TL	250V 2.5	2	YE60002503600	(3)(4)
33	X5	Terminal	Honeywell	SK2.5	2.5mm ²	7	YE60002503200	
34		Terminal fittings E/GK series	HONEYWELL	----	----	6	YE60000003900	
35		Spring wiring terminal SK-25TL bridging connectors	HONEYWELL	FB10-2.5	----	4	YE60001003600	
36	X11~X14	Heavy duty connector	HARTING	Han 4A-F	4P+PE	4	YE68000401400	
37	X10	Heavy duty connector	HARTING	Han Q5/0-F	5P+PE	1	YE68000501400	
38	X15	Heavy duty connector	HARTING	Han Q5/0-M/F	5P+PE	1	YE68000501200	
39		Cable head	JUKUANG	PG11	PCS	1	YE67001100000	
40	WS	Comm. bus	SHINI	3(C×0.75mm ² +2C×0.5mm ²)	M	3	YE51102900000	
41		9-pin serial interface (female) has housing and screw	----	----	PCS	1	YE62090000100	
42	FM	Cooling fan	SVNQN	----	220~230VAC 50/60HZ	1	YM60922500100	
43	M1	Mixing motor	MOTOVARIO	0.55kW	400V 50/60Hz	1	----	(1)
44	WS1	Super 5 freq. with network jumper 1M/Ethernet line	----	----	----	1	YE90000101600	
45	X16	以太网插座/Ethernet connector	----	RJ45F71	----	1	YE64457100000	Cancel
46	X16	Ethernet connector	LINGKE	LP-16-J/RJ45/110/SX-03-201	----	1	YE68164501100	New

机型版本 Ver.D

Notes: (1) Materials not in the control box; (2) Optional low level sensor; (3) Optional bridge breaking valve; (4) Optional shut-off valve;

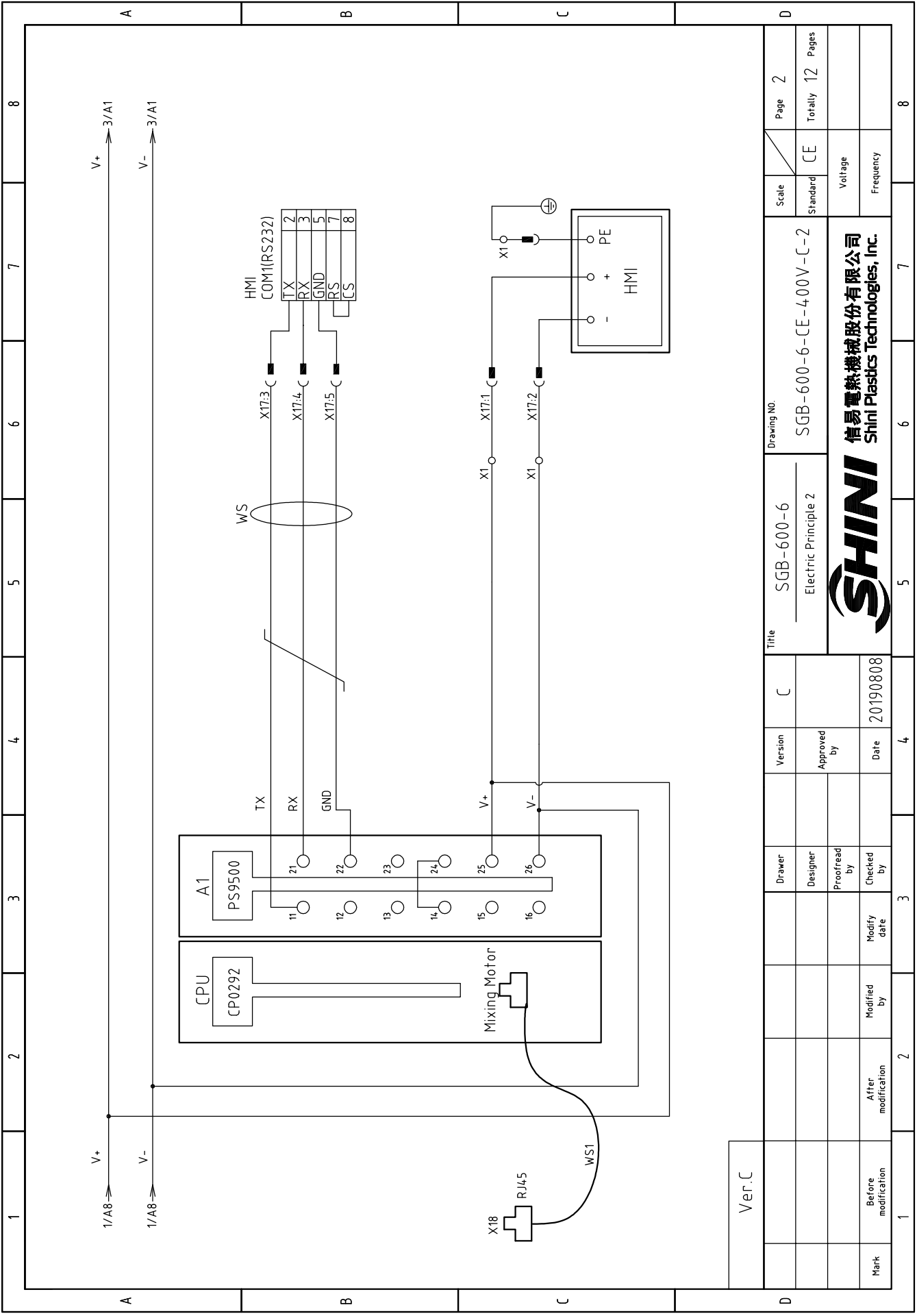
Drawer	Version	G	Title	SGB-600-4	Scale	Page	10
Designer	Approved by		Elec. Parts List 2	SGB-600-4-CE-400V-G-10	Standard	Totally	10 Pages
Proofread by	Date	20201027	 信易电热机械股份有限公司 Shini Plastics Technologies, Inc.				
Checked by							
After modification	Modified by	Modify date	Frequency	50Hz			

1 2 3 4 5 6 7 8



Ver.C		Version		Title		Drawing NO.		Scale		Page 1	
		C		SGB-600-6		SGB-2000/3000-6-CE-400V-B-1		Standard		Totally 12 Pages	
		Approved by		Electric Principle 1				Voltage		3/400V	
		Checked by		Date				Frequency		50Hz	
Mark		Before modification		After modification		Modify date		Date		20190808	
1		2		3		4		5		6	
A		B		C		D		7		8	





Ver.C

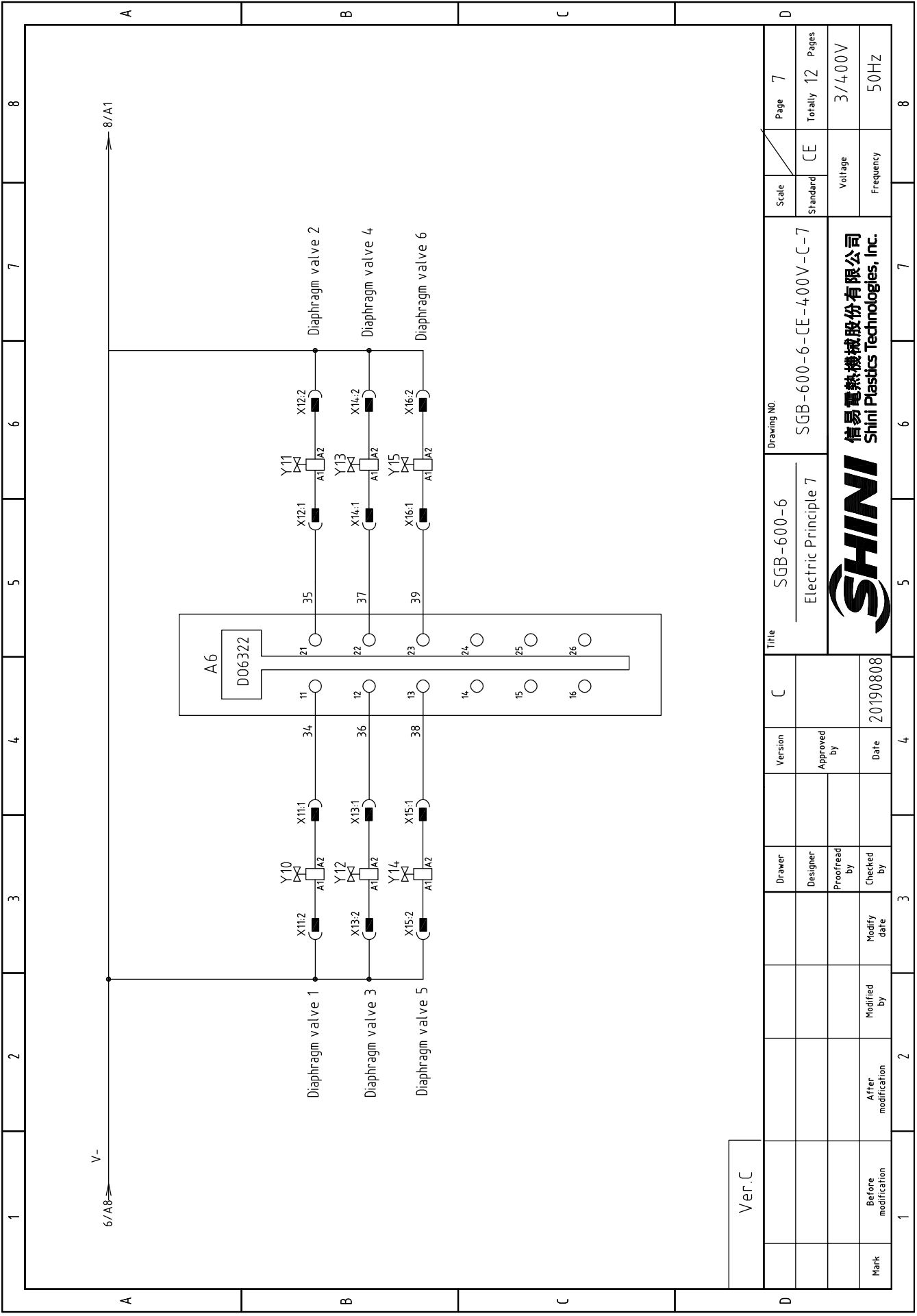
Mark	Before modification	Modified by	Modify date	Version	C	Title	SGB-600-6 Electric Principle 2	Drawing NO.	SGB-600-6-CE-400V-C-2	Scale	Page 2
	After modification	Checked by	Date							Standard	Totally 12 Pages
										Voltage	
										Frequency	





Ver.C

Ver.C		Title		Drawing NO.		Scale		Page	
		SGB-600-6		SGB-600-6-CE-400V-C-5		Standard		CE	
		Electric Principle 5				Voltage		3/400V	
						Frequency		50HZ	
Mark		Before modification		Date		Checked by		Modified by	
1		20190808		4		3		2	
After modification		Date		Version		C		8	
Modified by		Approved by		C		SGB-600-6		5	
Modify date		20190808		4		Electric Principle 5		7	
Checked by		Date		4		SGB-600-6-CE-400V-C-5		8	
Proofread by		Date		4		SHINI		8	
Designer		Date		4		信易电热机械股份有限公司		8	
Drawer		Date		4		Shini Plastics Technologies, Inc.		8	
Version		Date		4		SHINI		8	
C		20190808		4		SHINI		8	
SGB-600-6		20190808		4		SHINI		8	
Electric Principle 5		20190808		4		SHINI		8	
SGB-600-6		20190808		4		SHINI		8	
SGB-600-6-CE-400V-C-5		20190808		4		SHINI		8	
Standard		Date		4		SHINI		8	
CE		20190808		4		SHINI		8	
Voltage		Date		4		SHINI		8	
3/400V		20190808		4		SHINI		8	
Frequency		Date		4		SHINI		8	
50HZ		20190808		4		SHINI		8	
Page		Date		4		SHINI		8	
5		20190808		4		SHINI		8	
Totally 12		Date		4		SHINI		8	
Pages		20190808		4		SHINI		8	
3/400V		20190808		4		SHINI		8	
50HZ		20190808		4		SHINI		8	



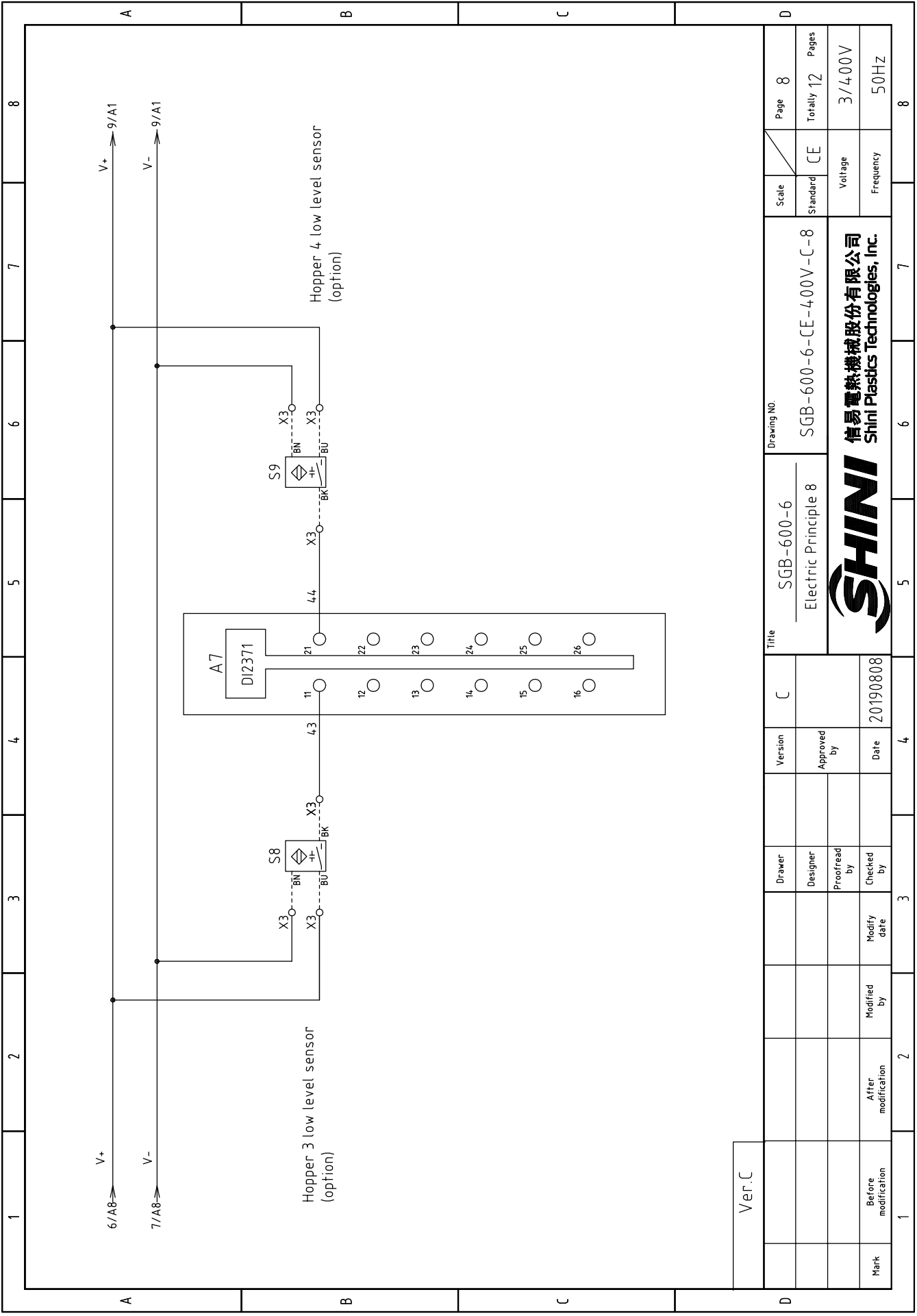
Ver.C

Mark	Before modification	Modified by	Modify date	Date	20190808	Approved by	Version	C	Title	Drawing NO.		Page	7
	After modification	Modified by	Modify date							SGB-600-6-CE-400V-C-7			
										Voltage		3/400V	
										Frequency		50Hz	
										Scale			
										Standard			
										Voltage		3/400V	
										Frequency		50Hz	



SGB-600-6
Electric Principle 7

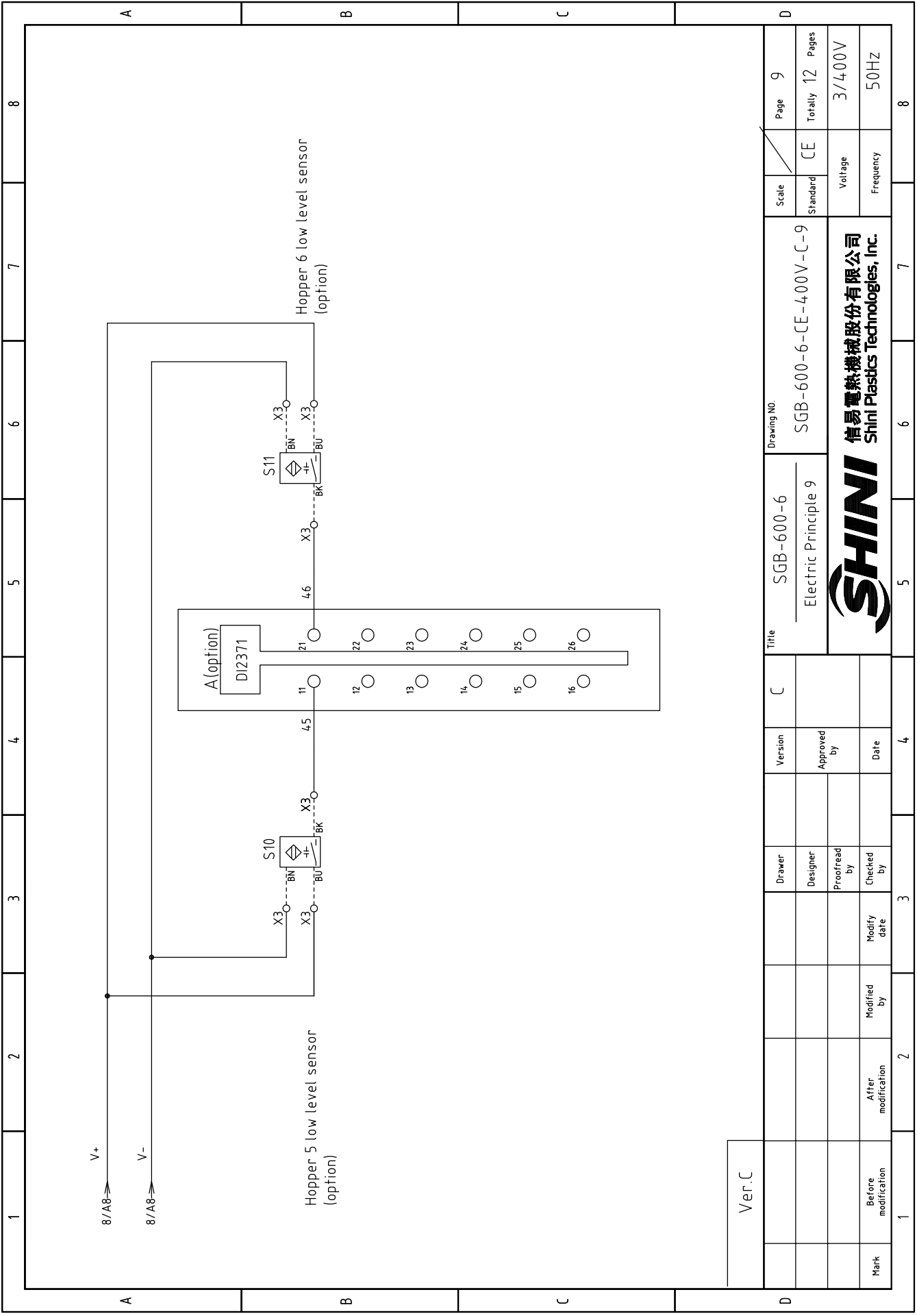
SHINI
信易電熱機械股份有限公司
Shini Plastics Technologies, Inc.




Ver.C	
Mark	Before modification
	Modified by
	Modify date
	Checked by
	Proofread by
Designer	
Drawer	
Version	
Approved by	
Date	20190808

Title		Drawing NO.	
SGB-600-6		SGB-600-6-CE-400V-C-8	
Electric Principle 8		Scale	
		Standard	
		Voltage	
		Frequency	
		Page	
		Totally	
		Pages	
		3/400V	
		50HZ	





Ver.C	
Mark	Before modification
	After modification
	Modified by
	Modify date
	Checked by
	Proofread by
	Designer
	Drawer
	Version
	Approved by
	Date

Title		Drawing NO.		Scale	Page
SGB-600-6		SGB-600-6-CE-400V-C-9		Standard	9
Electric Principle 9		CE		Totally	12 Pages
 信易電熱機械股份有限公司 Shini Plastics Technologies, Inc.		Voltage		3/400V	
		Frequency		50Hz	
1	2	3	4	5	6
7	8				

1		2		3		4		5		6		7		8	
NO.	Symbol	Name	Manufacturer	Type	Specification	Number	Material number	Remark							
A															
1	Q1	Main Switch	EATON	T0-2-1/EA/SVB	20A	1	YE10021160000								
2	Q2	Circuit-Breakers	TECO	BM-63C 3P	6A	1	YE40300603000								
3	FU1	Fuse base	CHINT	RT16-32	2P	1	YE41032200000	Cancel							
4		Fuse	CHINT	10x38-500V	2A	2	YE46002000100	Cancel							
5	FU2	Fuse base	YINDA	FS-40	內置250V-2A熔芯	1	YE4100100000000	Cancel							
6	Q3	Circuit breaker	TECO	BM-63C	3A	1	YE40100203000								
7	S3	Capacitive proximity switch	IFM	KI 5082	10~36VDC	1	----	(1)							
8	S6~S11	Capacitive proximity switch	IFM	KI 5082	10~36VDC	6	----	(1) (2)							
9	S5	Safety switch	SCHMERSRC	AZ152VK-14.76	AC-15	1	----	(1)							
10	S6	Pressure switch	FOX	K4-SA02	1~12KG	1	----	(1)							
B															
11	K1	Contactors	SIEMENS	3RT6015-1ANZ1	230V 50/60Hz	1	YE00601521000								
12	K3	Phase relay	CHAOSHI	ABJ-10W	400V	1	YE03103800000								
13	K2	Solenoid valve/valve	WEIDMULLER	DRM270024LT	24VDC 12A	1	YE03272400000								
14	K4	Relay	CARLO GAVAZZI	PS1A40D40E	20~48VDC	1	YE03404000000	(3)							
15	K4	Solid relay / relay	FOTEK	KSR-40DA-H	40A/480VAC/4~32VDC	1	YE034040003200	(3)							
16	F1	Thermal overload relay/overload Relays	SIEMENS	3RU6116-1BB0	1.4-2A	1	YE01160140000								
17	T	Transformer	JIUXIN	IN=4.00/4.15V OUT=230V	800mA	1	YE70040005300								
18	U	DC power	MEAN WELL	S-100-24	+24V 4.5A	1	YE71102400000								
C															
19	CPU,A1~A7	4-ingredient Gravimeter/Blender controller	B&R	----	----	1	YE80024000100								
20	A8	Digital input module	B&R	X20 DI2371	----	1	YE80237100000	(2)							
21		Terminal block	B&R	X20 TB12	----	1	YE80201100000	(2)							
22		Bus module	B&R	X20 BM11	----	1	YE80200100000	(2)							
23	H1	Buzzer	SHINI	PK-27A	24VDC 50Hz	1	YE84002700000	Cancel							
24	H2	Pulse indicate lamp	----	LTE-3051	24VDC 50Hz	1	YE83305100300	Cancel							
25	H1	Three-color alarm with buzzer	----	PK-27A	24VDC	1	BL90002401520	New							
D															
Ver.c		Notes: (1) Materials not in the control box; (2) Optional low level sensor; (3) Optional metering motor;													
		Drawer	Designer	Version	Title		Drawing NO.		Scale		Page		Page		
				C	SGB-600-6		SGB-600-6-CE-400V-C-11		Standard		CE		11		
		Proofread by	Approved by	Elec. Parts List 1						Voltage		Totally			
										3/400V		12			
Mark	Before modification	Modified by	Modify date	Date	20190808				Frequency		50Hz		8		
1	2	3	4	5	6	7	8								



信易電熱機械股份有限公司
Shini Plastics Technologies, Inc.

1		2		3		4		5		6		7		8	
No.	Symbol	Name	Manufacturer	Type	Specification	Number	Material number	Remark							
26	HMI	Human-machine interface	SCHNEIDER	GXU3512	24VDC	1	YE80351200100								
27	BW1 BW2	Weighing sensor/Dose transducer	ZHONGHANG	L6D-C3-15kg-1.4B	10VDC 2mV/V	2	----	(1)							
28	X1	Terminal	Honeywell	SK2.5	2.5mm ²	8	YE60002503200								
29	X1	Terminal	Honeywell	GK2.5PE	2.5mm ² PE	4	YE60002503400								
30	X2	Terminal	Honeywell	SK2.5-TL	250V 2.5	9	YE60002503600								
31	X3	Terminal	Honeywell	SK2.5-TL	250V 2.5	4	YE60002503600								
32	X3	Terminal	Honeywell	SK2.5-TL	250V 2.5	6	YE60002503600	(2)							
33	X5	Terminal	Honeywell	SK2.5	2.5mm ²	7	YE60002503200								
34	X11~X16	Heavy Duty Connector	HARTING	Han 4A-F	4P+PE	6	YE68000401400								
35	X10	Heavy Duty Connector	HARTING	Han Q5/0-F	5P+PE	1	YE68000501400								
36	X17	Heavy Duty Connector	HARTING	Han Q5/0-M/F	5P+PE	1	YE68000501200	Self-made							
37	WS	Signal bus	SHINI	3C×0.75mm ² +2C×0.5mm ²	M	3	YE51102900000								
38		9-pin series interface (female) with shell and screw	----	----	PCS	1	YE62090000100								
39	FM	Cooling fan	----	----	220~230VAC 50/60HZ	1	YM60121200400								
40	M1	Mixing Motor	----	0.55kW	400V 50/60Hz	1	----	(1)							
41	M2	Metering motor	----	0.015kW	230V 50/60Hz	1	----	(1) (3)							
42	Y1 Y3~Y8	Solenoid valve/valve	FESTO	----	24VDC	7	----	(1)							
43	Y2	Solenoid valve/valve	FESTO	----	24VDC	1	----	(1)							
44	Y16	Solenoid valve/valve	FESTO	----	24VDC	1	----	(1)							
45	WS1	Super 5 freq. with network jumper 1M/Ethernet line	----	----	----	1	YE90000101600								
46		Ethernet socket/Ethernet connector	----	RJ45F71	----	1	YE64457100000								
Ver.C Notes: (1) Materials not in the control box; (2) Optional low level sensor; (3) Optional metering motor;															
				Title		Version		Scale		Page					
				SGB-600-6		C		SGB-600-6		12					
				Elec. Parts List 2		Approved by		Standard		CE					
				20190808		Date		Voltage		3/400V					
Mark		Before modification		Modified by		Modify date		Frequency		50HZ					
1		2		3		4		5		6		7		8	



Drawing NO. SGB-600-6-CE-400V-C-12

Notes: (1) Materials not in the control box; (2) Optional low level sensor; (3) Optional metering motor;

