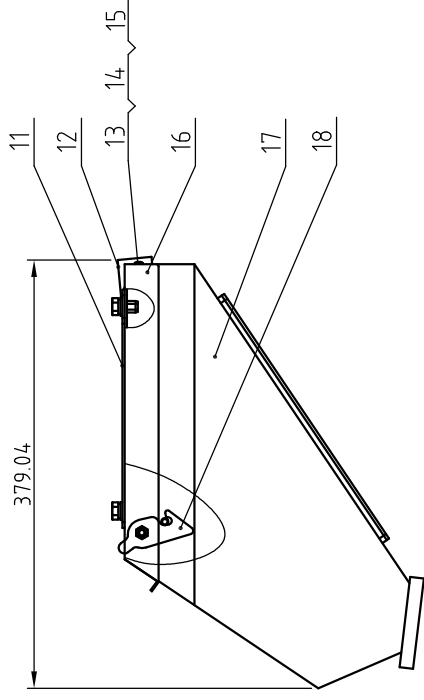
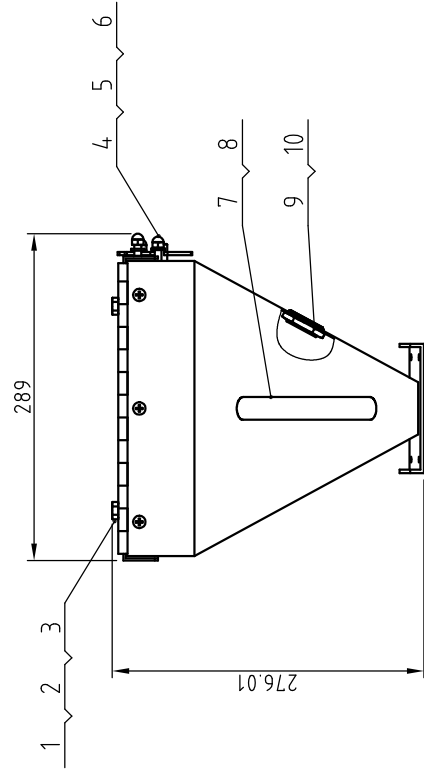


No.	Material number	Name	Mat.	Num.	Remarks
10	YW69616100000	Manual twist screw M6x6x16		4	
9	BH14.129600010	Doser end plate SCM-38-A-09/SGD-A-09		1	
8	SCM-A-03	Fender plate	SUS201	1	
7	SCM-A-10	Base cover	SPCC2.0	1	
6	SCM-A-23	Sight glass	Acryl	1	
5	YW62051000100	Large cross recessed flat head screw JS1111 M5x10-Longzine		4	
4	BW20000100110	Base SCM-EB-A-01(has mould/processed)		1	
3	YW66081600000	Flat washer A grade GB/T97.118.4×16×1.6Longzine		4	
2	YW65008000100	Standard spring washer GB/T93 8 Longzine		4	
1	YW60081600000	Hex. bolt GB/T5783 M8x16-12.9- Longzine		4	
Title		Drawing no.		Scale	1:5
SCM		SCM-A-ALL		Surface req.	
Base Assembly				Mat. Assembly	
Ver.		Date		Mat No.	
0		20210427			
App.		by			
Desi.		Date			
Draw.		Modified by			
		Date			
App.		Mark			
		Before			
		After			
		Mark			

信易電熱機械股份有限公司
 Shini Plasctics Technologies, Inc.



18	SCM-B-05	Hook	SUS201	1	
17	SCM-B-01	Storage hopper welding drawing	SUS201	1	
16	SCM-B-03	Storage hopper cover	SUS201	1	
15	YW64000500000	Hex. lock nut M5 anti-loose		6	
14	YW06380300000	Long hinge SCM-38-D-03/SGD-D-03 (SUS304)	SUS304	1	
13	YW62051000100	Large cross recessed flat head screw JIS1111 M5x10-Longzine		6	
12	SCM-B-02	Hopper connecting plate	SPCC3.0	1	
11	BW09202000000	Square plate SEHD-100-A-09(ver.0)(has mould)		1	
10	YR30301500000	Level sensor plug M30x1.5		1	
9	BR300084.00050	Level sensor plug	Acryl	1	
8	YR20162600100	O-type seal ring 106x2.65	Fluororubber	1	
7	YR903804.00000	Sight glass SCM-38-B-04/SGD-B-07(PC)(ver.0)	Transparent PC	1	
6	YW66061300000	Flat wahser A grade GB/T197.16 Longzine		6	
5	YW61062500100	Inner hex. screw M6x25		1	
4	YW64006000100	Cap nut M6		3	
3	YW66081600000	Flat wahser A grade GB/T197.118.4x16x1.6 Longzine		4	
2	YW65008000100	Standard spring washer GB/T193.8 Longzine		4	
1	YW60081600000	Hexagon bolt GB/T15783 M8x16-12.9-Longzine		4	
No.	Material number	Name	Mat.	Num.	Remarks

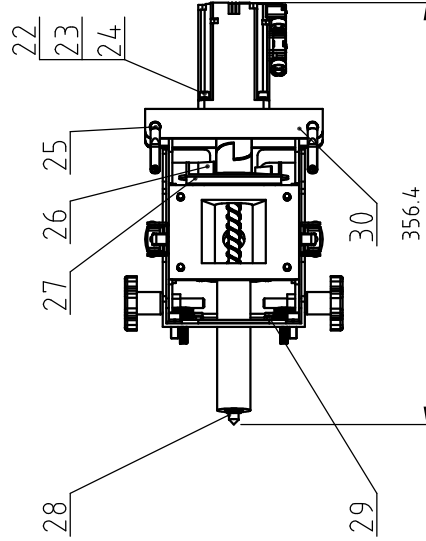
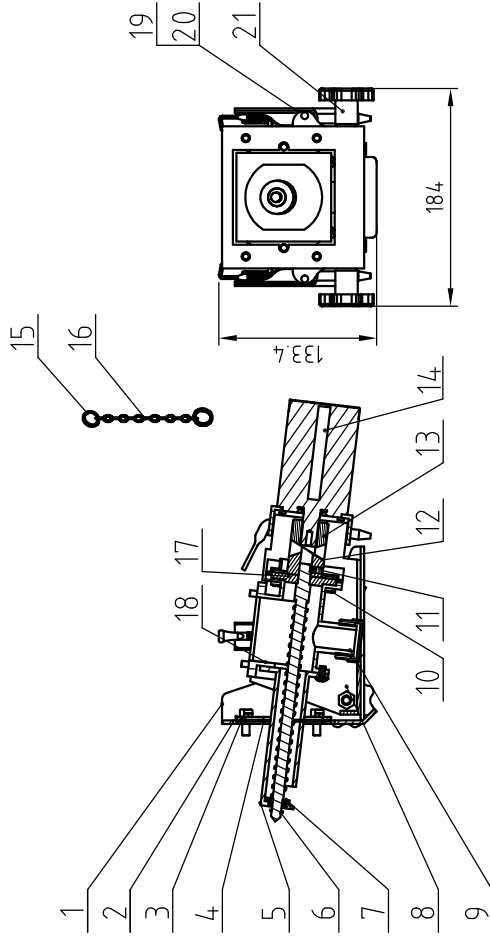
Tech.Req.:

1. Burring;

2. Welding line leveling, welding slag removing;

Draw.	Ver.	Title	Drawing no.	Scale	1:6	Num.	1
Desi.	App.	Storage Hopper Assembly	SCM-B-ALL			Mat	Assembly
Check	by						
App.	Date						
Mark	Before Mark	After Mod.	Modified by.	Date			
				20210427			

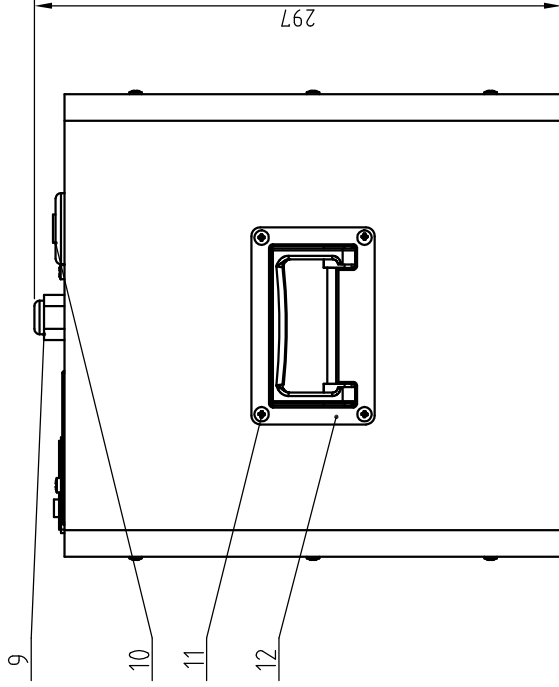
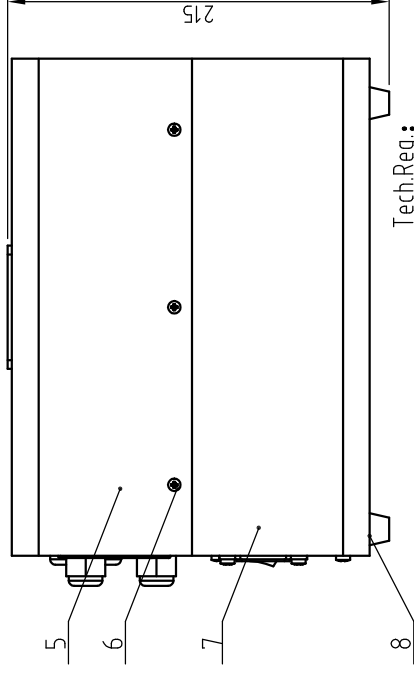
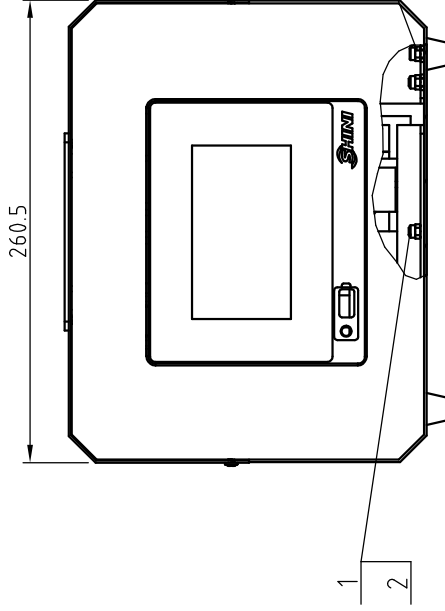




30	SCM-C-19	Main box fixed frame 2	SPCC3.0	1
29	YW64.04.0700100	Non-metal insert hex. lock nut GB/T889.1M4		4
28	YW69008000200	Elastic ring for axes use GB/T 894.18		1
27	SCM-38-C-16	Conveying connection plate	SUS201	1
26	SCM-38-C-15	Screw fixing plate	SUS201	1
25	SCM-38-C-21	Motor fixed rotation pin	SUS304	2
24	YW65005200000	Standard spring washer GB/T93.5 Longzine		4
23	YW66051000000	Flat washer A grade GB/T93.5 Longzine		4
22	YW61050600300	Inner hex. column head screw GB/T70.1 M5x16-12.9 Longzine		4
21	YR4.00835000000	Star handle B M8x35	Assembly	2
20	YW6304.0600000	Cross socket pan head screw M4x6	4, 8	4
19	YW02003000400	New-type adjustable snap hook	Assembly	2
18	SCM-38-C-04	Conveying pipe		1
17	SCM-38-C-14	Screw accessories 3	PIFE	1
16	YW90120000000	Wire dia. 1.2 steel chain		0.4M
15	YW00151300000	Stainless steel key ring 1.2x16	SUS201	4
14	YM104.03000400	Servo motor 4.00W MS1H1-4.0B30CB-T331Z		1
13	SCM-C-18	Coupler 2	Polyacetal pom	1
12	SCM-C-17	Coupler 1	Polyacetal pom	1
11	YW68005500000	Inner hex. flat end lock screw GB/T77-M5-5 Longzine		2
10	YW63050800000	Cross socket pan head screw M5x8		4
9	SCM-38-C-28	Screw cap	6061	1
8	SCM-C-03	Main body fixed frame 1	SPCC3.0	1
7	SCM-38-C-05	Screw accessories 2	PIFE	1
6	SCM-38-C-08	Doser screw $\phi 16$	45	1
5	SCM-C-27	$\phi 16$ screw sleeve	SUS201	1
4	SCM-38-C-29	Fender rubber 34	Silical gel	1
3	SGD-C-29	Fender accessories 2	SUS201	1
2	SGD-C-28	Fender accessories 1	SUS201	1
1	SCM-C-02	Side fixing frame	SPCC3.0	1

No.	Material number	Name	Scale		Num.	Remarks
			1:6	1		
Title		Drawing no.		Mat.		Surface req.
SCM Conveying Assembly		SCM-C-ALL		Mat. Assembly		
Ver.	0	App.	by	Date	20210427	
Draw.		Check		App.		
Desi.		Before Mark	After Mod.	Modified by	Date	
Mark						





Tech.Req.:

1. Burring;
2. Edge blunting
3. Dimensions without tolerance indications shall be in accordance with GB/T1804-m.

12	YW06387300500	Zinc alloy female medium handle	1		
11	YW61040600100	Cross socket countersunk head screw M4x6	4		
10	SCM-E-05	Wire clamp fixed plate	SPCC1.5		
9	YE67000940000	Cable lock head PG9	2		
8	YR40121000000	Doser foot pad	Rubber		
7	SCM-E-01	Control box	SPCC1.5		
6	YW62051000100	Large cross recessed flat head screw H5x10	6		
5	SCM-E-02	Control box cover	SPCC1.2		
4	YW64040700100	Non-metal insert hex. lock nut M4	4		
3	SCM-E-04	Electrical mount plate 2	SECC1.5		
2	YW64000500000	Hex. nut M5	2		
1	SCM-E-03	Electrical mount plate 1	SECC1.5		
No.	Material number	Name	Mat.	Num.	Remarks

Mark	Before Mark	After Mod.	Modified by	Date	App.	Check	Desi.	Draw.	Ver.	0	Title	SCM	Drawing no.	SCM-E-ALL-SZ	Scale	1:4	Num.	1	Remarks	Assembly
				20210427	by				App.		电控箱组合									
											SHINI		信易電熱機械股份有限公司 Shini Plastics Technologies, Inc.		Surface req.		Mat No.			