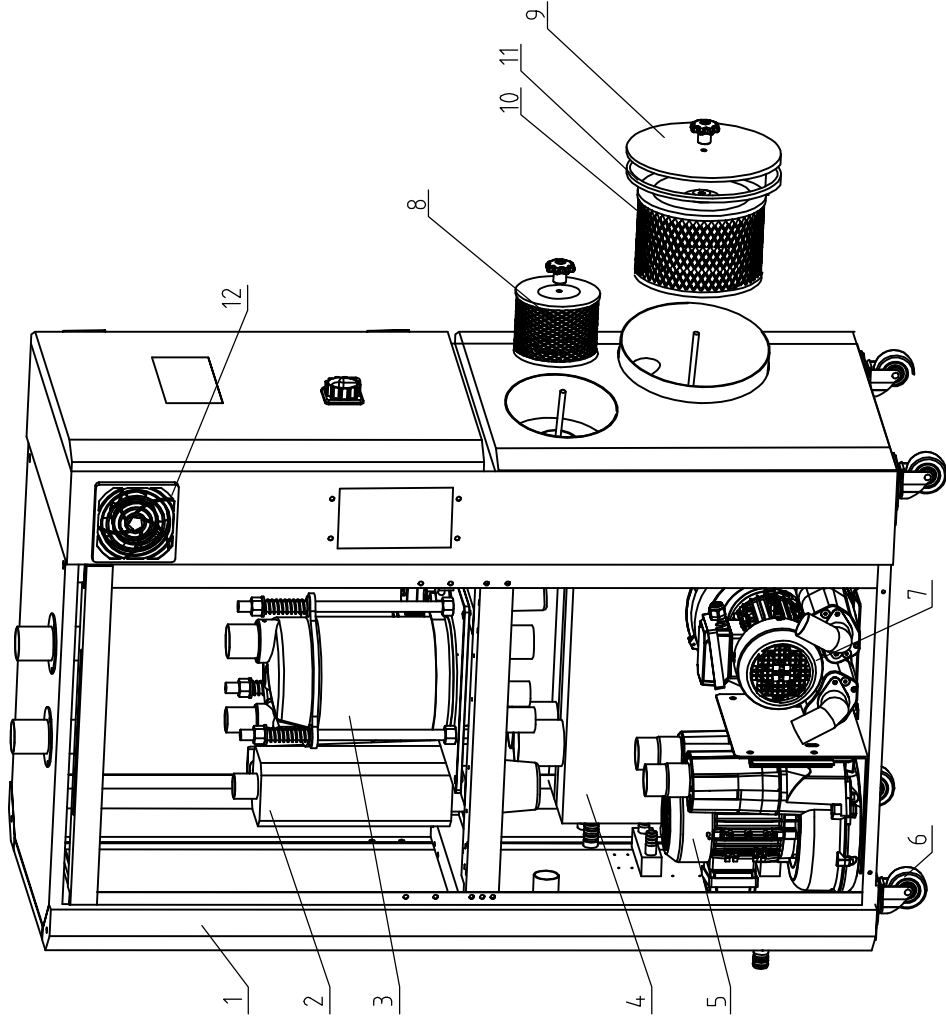


No.	Material number	Name	Mat.	Num.	Remarks
12		Honeycomb assembly			
11	YM30012900000	Drying blower*			
10	BM4.0025300850	Regen. blower*			
9	YR50128300100	Filter*			
8	YR10017000000	Filter fastener*			Silical gel
7	YW03000300000	Black brake castor*			
6	BR904.02500010	Black movable castor*			
5	YR50128300000	Filter hopper cover			
4	BW88080000020	Filter**			
3		Cooler**			
2	YM60121206400	Rack metal plate			
1		Exhaust fan**			
		Regen. heater**			
No.		Name			

Title		SD-40H		Ver.	c	Dra.		Mod. by	Date	App.	
Rotor Dehumidifier				App		Desi.				by	
Drawing No.		SD-40H-ALL		Check		App.		After Mod.	20200420		
Scale		1:10		Mark Before Mod.		Mark After Mod.		Date		App.	
Surface req.		Mat. req.									
Mat. No.		xxxxxxx									
Remarks		1									
		SPCC1.5									
		RAL 9010									

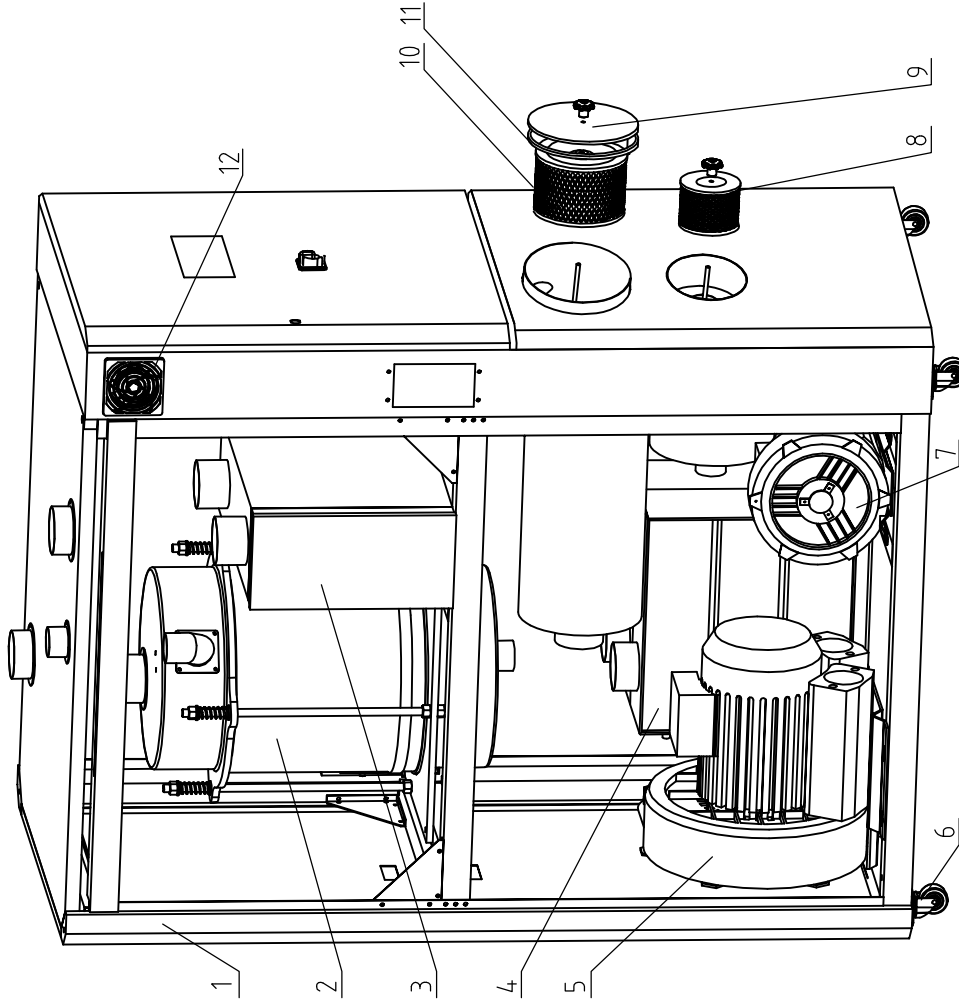
**SHINI**  
 信易電熱機械股份有限公司  
 Shini Plastics Technologies, Inc.



12	YM60121206400	Exhaust fan**			
11	YR10120400000	Filter fastener			Silical gel
10	YR50708000100	Filter**			
9	BR90120500010	Filter barrel cover			
8	YR50728300000	Filter**			
7	YM30012900000	Regen. blower**			
6	YW03000300000	Black brake castor			
5	BM30031000150	Drying blower*			
4	BW88080000020	Cooler(with temp. sensor)			
3		Cooler			
2		Honeycomb assembly			
1		Regen. heater**			
		Rack metal plate			
No.	Material number	Name	Mat.	Num.	Remarks

Title		SD-80H~120H		SD-80H~120H-ALL	
Ver.	C	Scale	1:10	No.	1
Dra.		Mat.		Mat.	
Desi.		Surface req.		Mat No.	xxxxxxxxxxxx
Check					
App.					
Before Mod.	After Mod.	Mod. by	Date		
Mark					

**SHINI** 信易電熱機械股份有限公司  
Shini Plastics Technologies, Inc.



12	YM60121206400	Exhaust fan**
11	YR10120400000	Filter fastener
10	YR50203000100	Filter**
9	BR90120500010	Filter barrel cover
8	YR50708000100	Filter**
7	BM30020500050	Regen. blower*
6	YW03000300000	Black brake castor
5	BM3004.2000050	Black movable castor
4	BW88152000020	Drying blower*
3	BL03154040120	Cooler(with temp. sensor)
2		Cooler
1		Heating case
		Honeycomb assembly
		Rack metal plate
No.	Material number	Name

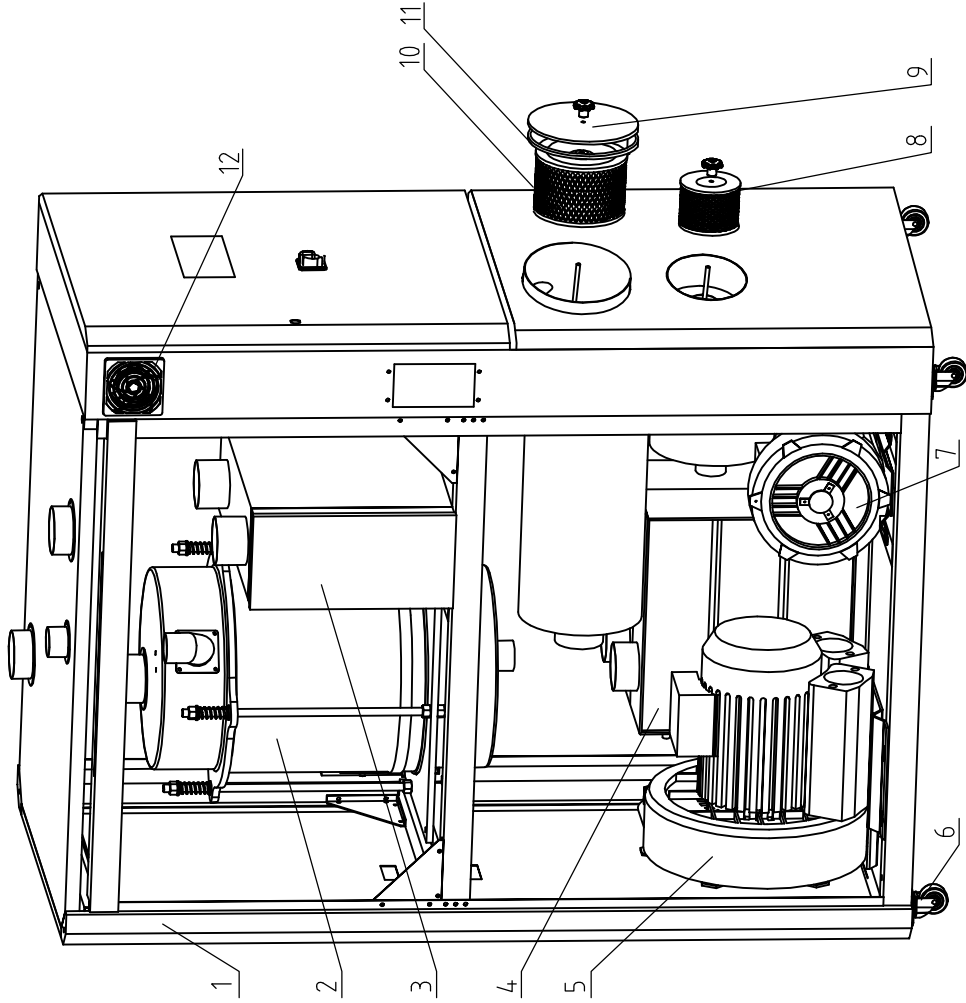
Drawing No.		Remarks	
SD-200H-ALL		Scale	1:15
		Mat.	Surface req.
		Mat.	Mat. No.
		Mat.	Mat. No.

Title SD-200H  
Rotor Dehumidifier



信易電熱機械股份有限公司  
Shini Plastics Technologies, Inc.

Ver.	B	Dra.		App. by		20090224
App. by		Desi.		Check		
App.		App.		Mod. by		
Date						
Before Mod.						
After Mod.						
Mark						



12	YM60121206400	Exhaust fan**
11	YR10026000000	Filter fastener
10	YR50241400000	Filter**
9	BR90406000010	Filter barrel cover
8	YR50708000100	Filter**
7	BM30031000150	Regen. blower*
6	YW03000400000	Black brake castor
5	YW03000400200	Black movable castor
4	BM30055000050	Drying blower*
3	BW88030030020	Cooler with temp. sensor
2	BW88030300020	Cooler
1		Heating case
		Honeycomb assembly
		Rack metal plate
No.	Material number	Name

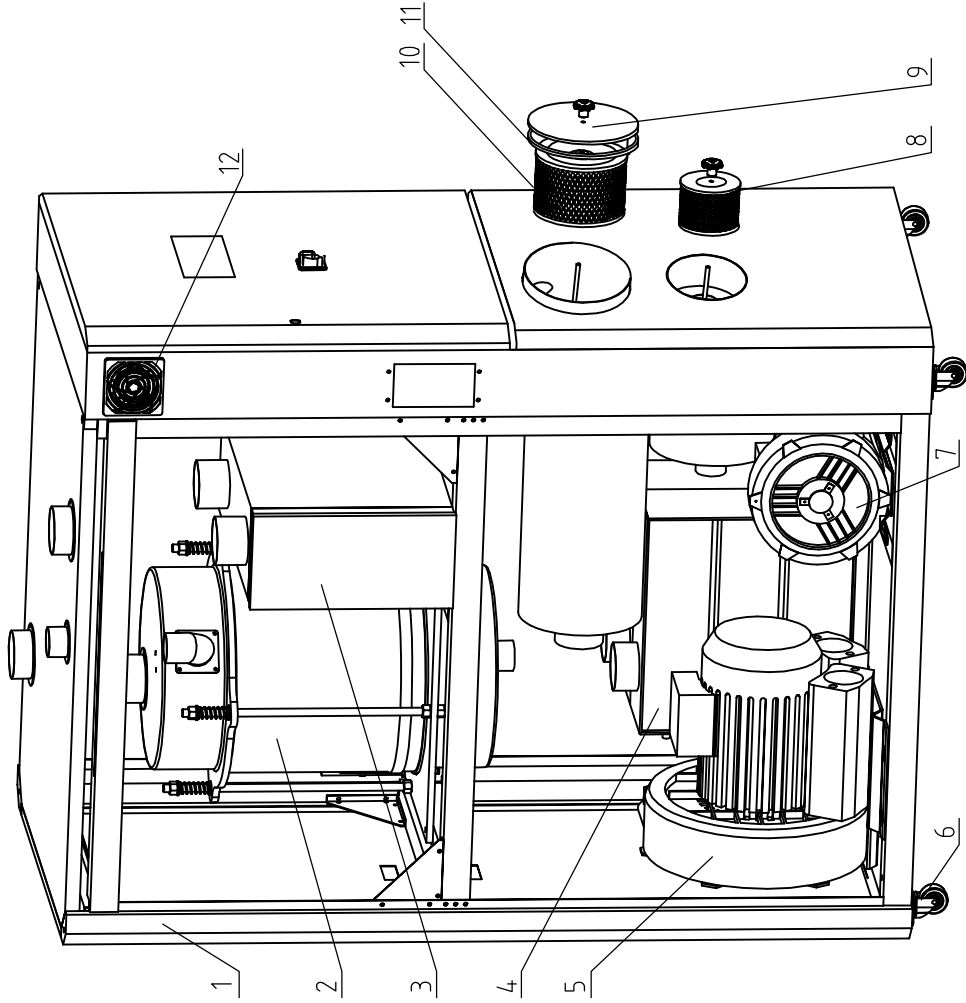
Drawing No.		Scale	1:15	No.	1
Title		SD-400H-ALL		Mat.	
Rotor Dehumidifier				Surface req.	
				Mat No.	

Title SD-400H  
 Rotor Dehumidifier



信易電熱機械股份有限公司  
 Shini Plastics Technologies, Inc.

Ver.	B	Dra.		App.		20090224
App by		Desi.		Check		
Mod. by		App.		Date		
After Mod.						
Before Mod.						
Mark						

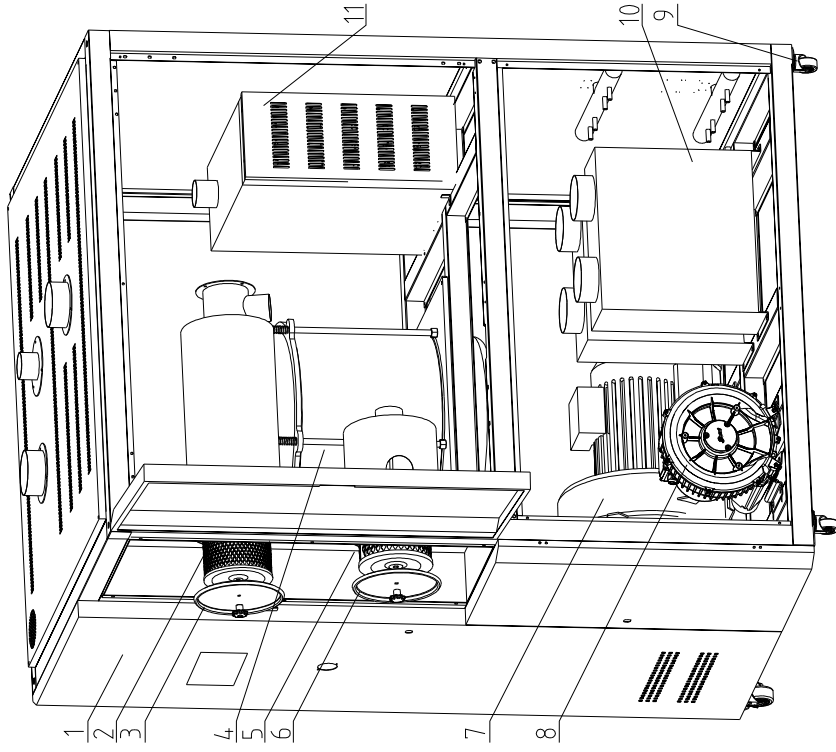


12	YM60121206400	Exhaust fan**
11	YR10026000000	Filter fastener
10	YR50241400000	Filter**
9	BR90406000010	Filter barrel cover
8	YR50203000000	Filter**
7	BM30042000050	Regen. blower*
6	YW03000400000	Black brake castor
5	YW03000400200	Black movable castor
4	BM30081000050	Drying blower*
3	BW88507000020	Cooler(with temp. sensor)
2	BL03507045020	Cooler
1	_____	Heating case
_____	_____	Honeycomb assembly
_____	_____	Rack, metal plate
No.	Material number	Name

Mark	Before Mod.	After Mod.	Mod. by	Date	Dra.	Ver.	B	Title	Drawing No.		Scale	1:15	No.	1	Remarks
								SD-700H	SD-700H-ALL		1:15	1:15	No.	1	
								Rotor Dehumidifier					Mat.		
													Surface req.		
													Mat.		
													Mat. No.		

**SHINI**  
 信易電熱機械股份有限公司  
 Shini Plastics Technologies, Inc.

Date 20090224  
 App by  
 App. Date

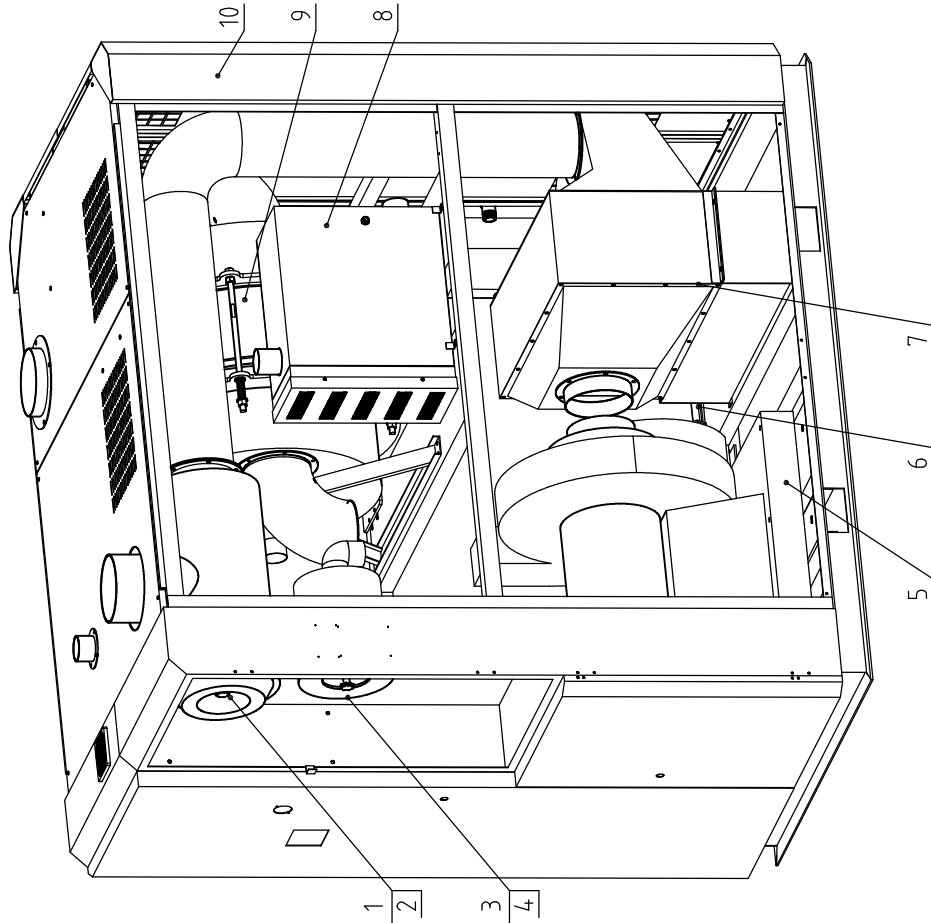


SD-1000H SD-2000H

11	-----	-----	Heating case
10	BW88100000020	BW88100000020	Cooler(With temperature sensor)
	BL03100049220	BL03100049220	Cooler
9	YW03000400000	None	Brake castor wheel
	YW03000400200		Movable castor wheel
8	BM30053500050	BM30075000050	Regen. blower*
7	YM30150300300	YM30200300300	Drying blower*
6	YR10026000100	YR10034000100	Filter fastener
5	YR50203000000	YR50273000000	Filter**
4	-----	-----	Honeycomb assembly
3	YR10026000000	YR10034000000	Filter fastener
2	YR50241400100	YR50277500000	Filter**
1	-----	-----	Rack metal plate
No.	Part No.		Name

标题		SD-1000H/2000H		图号		SD-1000H-ALL		比例		1:20		数量		1	
版号		A		核 准		核 准		表面要求		⊙		材 质			
制 图		设计		校 对		审 核		物 料 号							
日期		20090224		更改人		更改后		更改前		标 记					
日期				更改人		更改后		更改前		标 记					

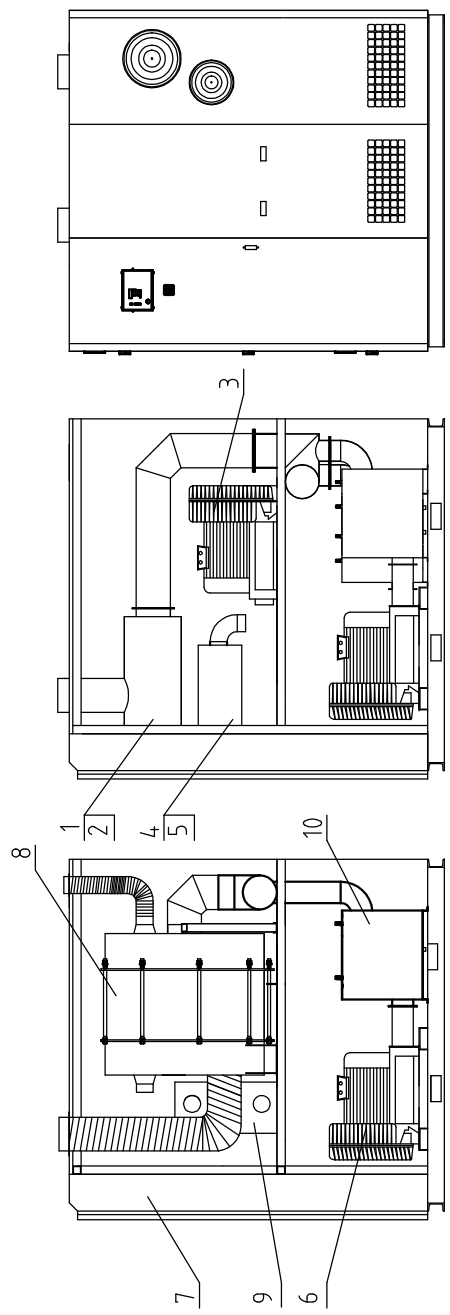
**SHINI** 信易电热机械股份有限公司  
Shini Plastics Technologies, Inc.



No.	Material number	Name	Mat.	Num.	Remarks
10		Rack sheet metal			
9	YW71773000200	Honeycomb			
8	BH70150000750	Pipe heater			30KW/230V/400V
7	YW88150001400	Cooler			
6	BM30081000050	Regen. blower			7.5KW
5	YM30001100000	Drying blower			11KW
4	YR50203000000	Regen. filter			
3	YR10026000100	Regen. filter fastener			
2	YR50275700000	Cyclier filter			
1	YR10034000000	Cyclier filter fastener			

Title		SD-1500H		Drawing		SD-1500H-ALL		1:1		1	
Ver.		0		Rotor Dehumidifier				1:1		SPCC1.5	
Dra.				Check				1:1		RAL9010	
Desi.				App. by				1:1		YV	
Check				Date		2016					
App.				Date		2016					
Before Mod.				Mod. by							
After Mod.				Date							
Mark				Date							

**SHINI** 信易電熱機械股份有限公司  
Shini Plastics Technologies, Inc.

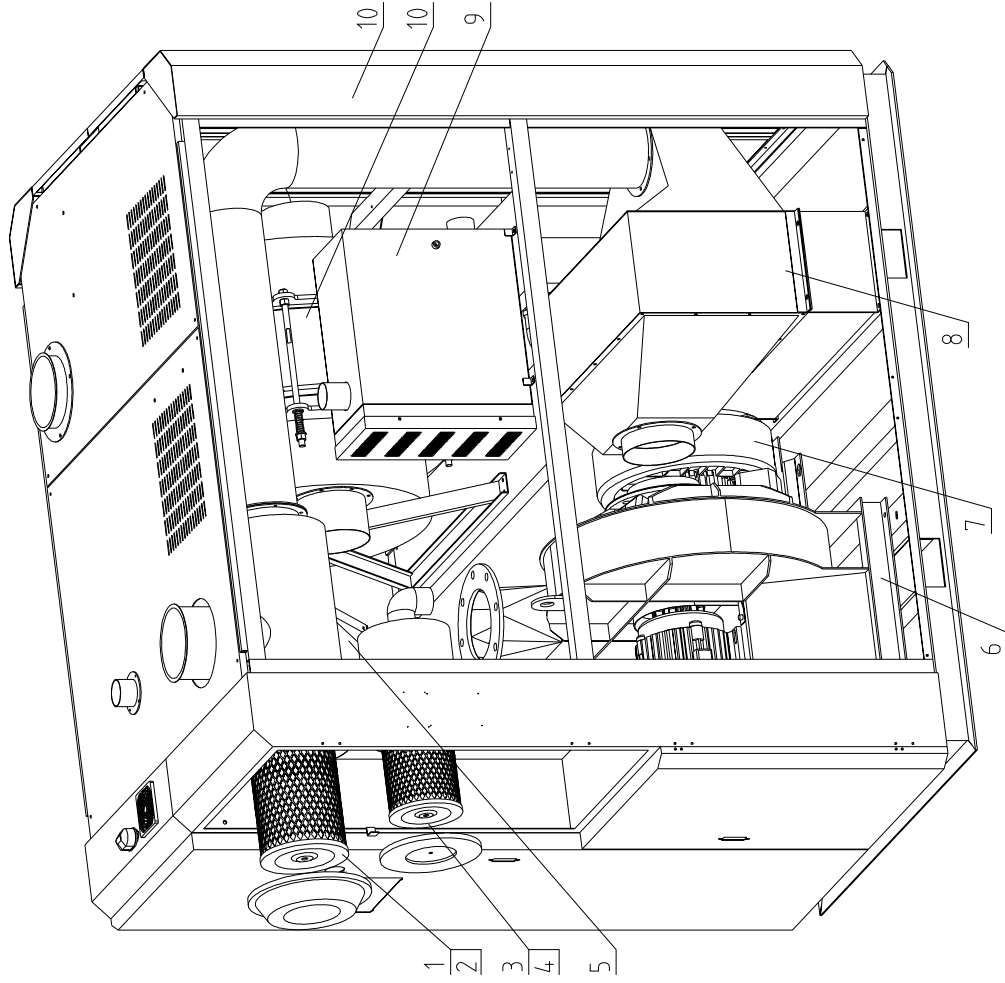


10	Cooler		6		
9	Heating case		1		
8	Honeycomb assembly		1		
7	Rack sheet metal		1		
6	Drying blower		3	13X3KW	
5	Filter		1		
4	Filter fastener		1		
3	Regen. blower		1	9KW	
2	Filter		1		
1	Filter fastener		1		

Title	SD-1500H		Drawing no.		SD-3000H-ALL		Scale		1:1	Num.	1	Remarks
	Rotor Dehumidifier						Surface req.		Mat. SPCCT1.5		RAE-90T0	
Ver.	0		App. by				Date		2016		Mat. No.	YW
Dra.			Check				App.				Surface req.	
Desi.			App. by				Date				Mat. No.	
Mod. by			App.				Date				Surface req.	
After Mod.			App.				Date				Mat. No.	
Before Mod.			App.				Date				Surface req.	
Mark			App.				Date				Mat. No.	

**SHINI** 信易電熱機械股份有限公司  
Shini Plastics Technologies, Inc.



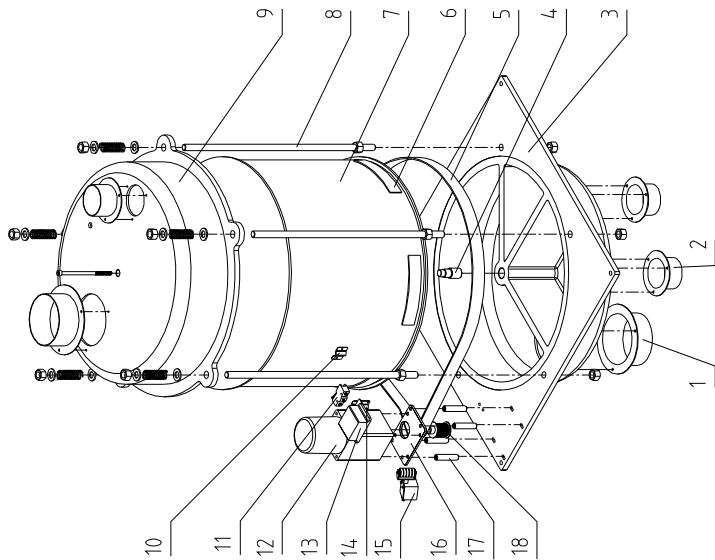


11	-----	Rack metal plate
10	-----	Honeycomb assembly Pipe heater BH70150000550
9	-----	Heating case ----- PHC Pipe heater
8	YW881500014.00	Cooler BH703500000850
7	YM30082900000	Regen. blower*
6	YM30001100000	Drying blower*
5	YE90045000200	Heat exchanger
4	YR50203000000	Filter
3	YR10026000100	Filter fastener
2	YR50275700000	Filter
1	YR10034000000	Filter fastener
No.	Part No.	Name

标题	SD-1500-ES	图号	SD-1500H-ALL	比例	1:20	数量	1
版号	0	Assembly Drawing		材质		表面要求	
制图	设计	校对	审核	更改人	更改后	更改前	
日期	20190103	日期		日期			
标记							本图采用第一角画法

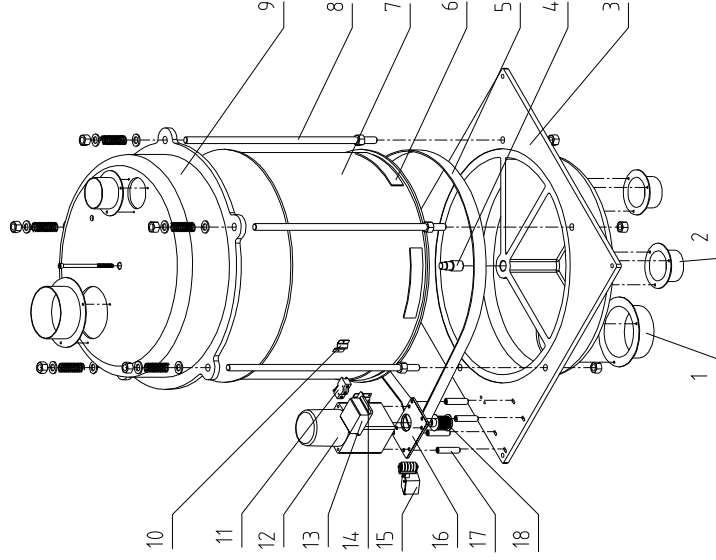


信易电热机械股份有限公司  
Shini Plastics Technologies, Inc.



No.	SD-40H	SD-80H	SD-120H	SD-200H	SD-400H	SD-700H	
18	----	----	----	----	----	----	Synchronous belt
17	----	----	----	----	----	----	Fixing pipe
16	----	----	----	----	----	----	Mounting plate of gear motor
15	----	----	----	----	----	----	Micro switch fixing plate
14	----	----	----	----	----	----	Micro switch fixing plate
13	----	----	----	----	----	----	Microswitch box
12	YM50102600000	YM50102600000	YM50102600000	YM50102600000	YM50102600000	YM50102600000	Gear motor
11	----	----	----	----	----	YE14.511200000	Microswitch*
10	----	----	----	----	----	----	Honeycomb fixing plate
9	----	----	----	----	----	----	Honeycomb upper cover
8	BH10533000000	BH1054.3000010	BH1054.3000010	BH11000000210	BH11000000210	BH11000000210	Double-head screw
7	YM71820000000	YW7184.0002000	YW7184.0002000	YW7184.0002000	YW7184.0002000	YW7184.04.000000	Honeycomb
6	YR0019054.00000	YR0019054.00000	YR0019054.00000	YR00003000000	YR00003000000	YR00003000000	Synchronous belt
5	YR00202500000	YR00202500000	YR00202500000	YR002034.0000000	YR00304.7000000	YR00305800000	Synchronous belt**
4	----	----	----	----	----	----	Honeycomb installation shaft
3	----	----	----	----	----	----	Honeycomb lower cover
2	----	----	----	----	----	----	Honeycomb flange
1	----	----	----	----	----	----	Honeycomb flange

Part No.		标准		图号		Name	
A		SD-40H~700H		SD-700H-A-01		比例 1:1	
A		Honeycomb Assembly		SD-700H-A-01		数量 1	
A		A		A		材质 SPECT5	
A		A		A		表面要求 烤漆	
A		A		A		本图采用第一角画法	
A		A		A		SHINI 信易电热机械股份有限公司 Shini Plastics Technologies, Inc.	
A		A		A		日期 2012/10/2	
A		A		A		更改前	
A		A		A		更改后	
A		A		A		更改人	
A		A		A		日期	
A		A		A		审核	
A		A		A		校对	
A		A		A		设计	
A		A		A		制图	
A		A		A		版号	
A		A		A		核准	



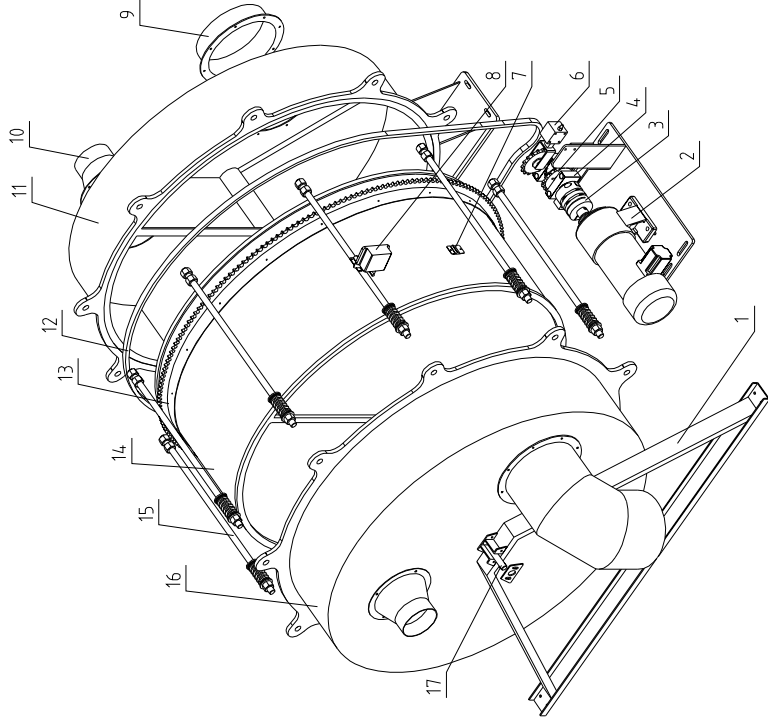
SD-1000H/2000H

18	Synchronous belt
17	Fixing pipe
16	Mounting plate of gear motor
15	Belt tension regulator
14	Micro switch fixing plate
13	Microswitch box
12	Gear motor
11	Microswitch
10	Honeycomb fixing plate
9	Honeycomb lower cover
8	Double-head screw
7	Honeycomb
6	Synchronous toothed belt
5	Synchronous belt
4	Honeycomb installation shaft
3	Honeycomb lower cover
2	Honeycomb flange
1	Honeycomb flange

No.	Part No.	Name
	SD-1000H/2000H	图号
	Honeycomb Assembly	
比例	1:12	数量
材质		1
表面要求		
本图采用第一角画法		

标准	0	版号	核准	日期	20090224
制图		设计	校对	审核	
标记		更改前	更改后	更改人	日期

**SHINI** 信昌 塑料科技股份有限公司  
Shini Plastics Technologies, Inc.



SD-1500H		SD-3000H	
17	Honeycomb installation shaft	----	----
16	Left honeycomb cover	----	----
15	Double-head screw	BH1100000210	----
14	Honeycomb	YW719654.00100	----
13	Driven chain wheel	----	----
12	Roller chain	YW09121600000	----
11	Right honeycomb cover	----	----
10	Honeycomb flange	----	----
9	Honeycomb flange	----	----
8	Position limit switch*	YE14.000100000	----
7	Honeycomb fixing plate	----	----
6	Chain driven tensioner	----	----
5	Driving chain wheel	----	----
4	Bearing	YW11600500000	----
3	Shaft coupler	YW90263700000	----
2	Gear motor	YM10028100000	----
1	Honeycomb shaft	----	----

No.	Part No.	Name
17	SD-1500H/3000H	Honeycomb installation shaft
16	SD-1500H/3000H	Left honeycomb cover
15	BH1100000210	Double-head screw
14	YW719654.00100	Honeycomb
13	----	Driven chain wheel
12	YW09121600000	Roller chain
11	----	Right honeycomb cover
10	----	Honeycomb flange
9	----	Honeycomb flange
8	YE14.000100000	Position limit switch*
7	----	Honeycomb fixing plate
6	----	Chain driven tensioner
5	----	Driving chain wheel
4	YW11600500000	Bearing
3	YW90263700000	Shaft coupler
2	YM10028100000	Gear motor
1	----	Honeycomb shaft

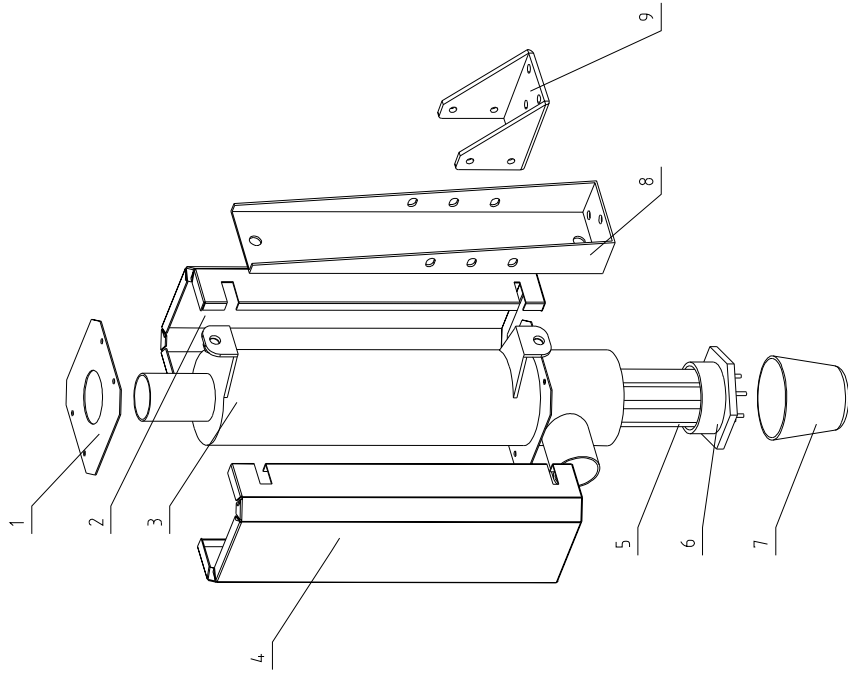
标题	图号	比例	数量	材质
SD-1500H/3000H	SD-1500H-B-ALL	1:13	1	
Honeycomb Assembly				

版号	核准	日期
A		2016/01/23

**信易塑料机械股份有限公司**  
**Shini Plastics Technologies, Inc.**

制图	设计	校对	审核	日期	更改人	更改后	更改前	标记

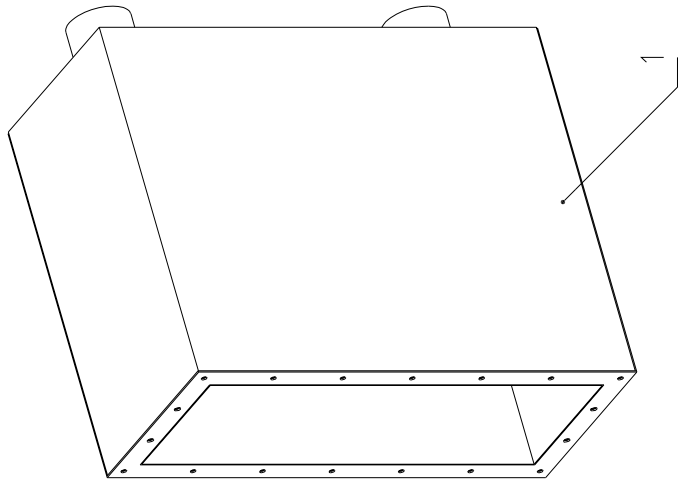
物料号: xxxxxxxxxxxxxxxx



	SD-40H	SD-80H	SD-120H	SD-200H	SD-400H	SD-700H	
9	----	----	----	----	----	----	Heater fixed corner
8	----	----	----	----	----	----	Heater fixed frame
7	YR4.0002000100	YR4.0002000100	YR4.0002000100	YR4.0002000100	YR4.0002000100	YR4.0002000100	Bakelite cover
6	BH12200500310	BH12200500310	BH12200500310	BH12200500310	BH12200500310	BH12200500310	Heater copper head
5	BH70150400050	BH70150400050	BH70150400050	BH70150400050	BH70150400050	BH70150400050	Pipe heater*
4	----	----	----	Option	PHC pipe heater	Part No.	
3	----	----	----	----	----	----	Heater plate 2
2	----	----	----	----	----	----	Heating tank
1	----	----	----	----	----	----	Heater plate 1
No.	----	----	----	----	----	----	Heater cover plate

		Part No.		图号		Name	
		标准	SD-40H-700H			比例	1:1
		Heater Assembly				材质	
标记	更改前	更改后	更改人	日期	核对	表面要求	本图采用第一角画法
				2014.0529			





SD-200H (Option PHC)	SD-400H (Option PHC)	SD-700H (Option PHC)	SD-1000H	SD-1500H	SD-2000H	SD-3000H
3	----	----	----	----	----	----
2	BH70124.000550	BH70184.000550	BH70244.000850	BH70284.000550	BH70284.000650	BH70324.000550
1	----	----	----	----	----	----
No.	Part No.					
			标题	SD-200H~3000H Heater Case		
			版号	0		
			制图			
			设计			
			校对			
			审核			
			日期	20091202		
			更改人			
			更改后			
			更改前			
标记				信易電熱機械股份有限公司 Shini Plastics Technologies, Inc.		
				比例	数量	
					材质	
				表面要求	物料号	
				Heater cover plate		
				Pipe heater*		
				Heater case		
				Name		