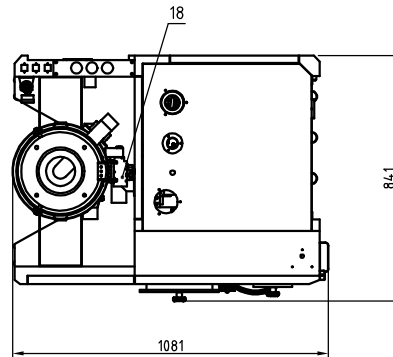
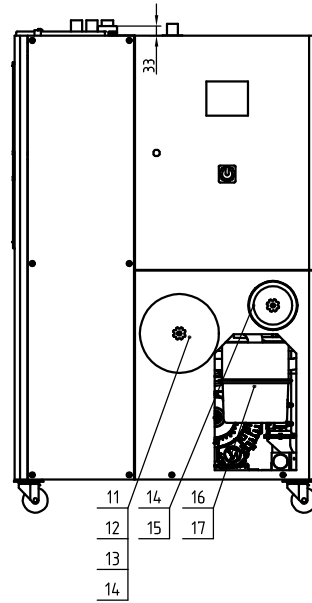
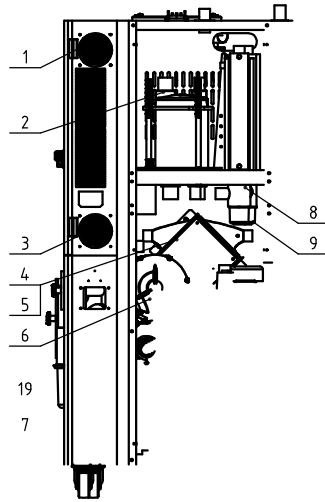


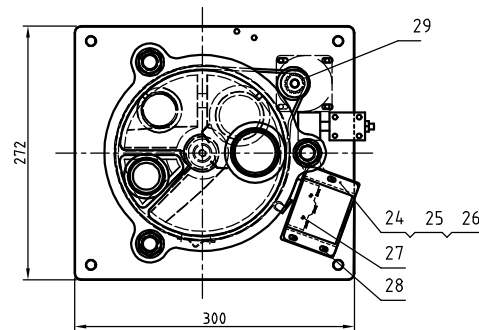
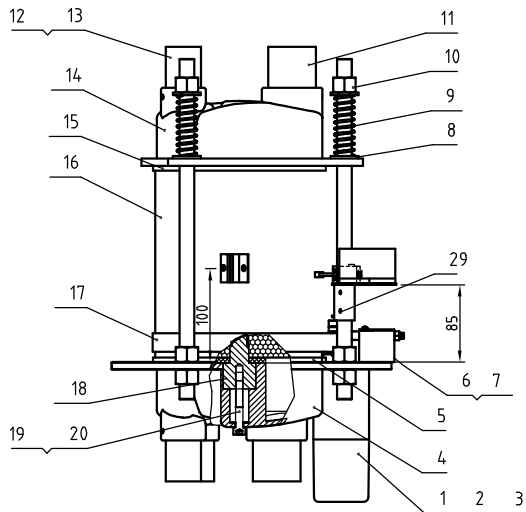
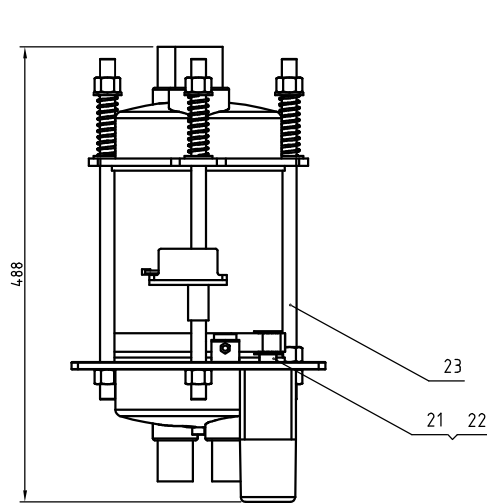
Conveying blower power	Regen. blower power	Drying blower power	Regen. heater power	Drying blower power	Dehumidifying air quantity	Insulated Hopper Capacity	Model version
1.5KW	0.4KW	0.18KW	3KW	4KW	40m <sup>3</sup> /hr	40L	Ver.E



19	SCD-230U120H-D-ALL	Three-way diaphragm valve	Assembly	1
18	SBU-20-38S-V-A-ALL	Shut-off suction box	Assembly	1
17	YR10080000300	Filter barrel fastener SAL-810G-A-03	Assembly	1
16	YR50127000000	Filter ADC1 ext. 126xinner 70x H 254mm	Assembly	1
15	YR50128300000	Filter ADC 18 fastener rubber	Assembly	1
14	YW09675100000	Small nut 5/16	Assembly	2
13	BR90120500010	Filter barrel cover SD-120H-ALL-05	PC	1
12	YR10120400000	Filter barrel fastener SD-120H-ALL-04	Silica gel	1
11	YR50708000200	Filter SAL-700/810G fastener rubber silica gel	Assembly	1
10	YM30012900000	Hongsheng blower EHS-129(I/4HP)	Assembly	1
9	BH70150400050	Pipe heater for 4KW 3φ230V/400V use	Assembly	1
8	BH70183460000	Pipe heater for 3KW 3φ230V/400V	Assembly	1
7	BM30042000050	Shini blower RB-420	Assembly	1
6	BM30020500050	Shini blower RB-205(I/2HP) black	Assembly	1
5	BE90250000050	Thermocouple SD-30H/120H/2 SMHY07	Assembly	1
4	SCD-80U/40H-C-ALL	Heat exchanger	Assembly	1
3	YR40120300000	3-in-1 anti-dust plastic screen GRH120-30(12x12)	Plastics	1
2	SD-40H-B-ALL	Honeycomb rotor	Assembly	1
1	YM60121206400	Exhaust fan 12x100x24VAC/50/60HZ with plastic screen	Assembly	1

Mark	Before Mod.	After Mod.	Mod. by	Date	App.	Date

Title		Drawing No.		Scale	1:15	Qty.	
SCD-40U/40H-A		SCD-40U/40H-ALL-A			Mat.		Mat. No.
"All-in-One" Compact Dryer							
		信易電熱機械股份有限公司 Shini Plastics Technologies, Inc.					



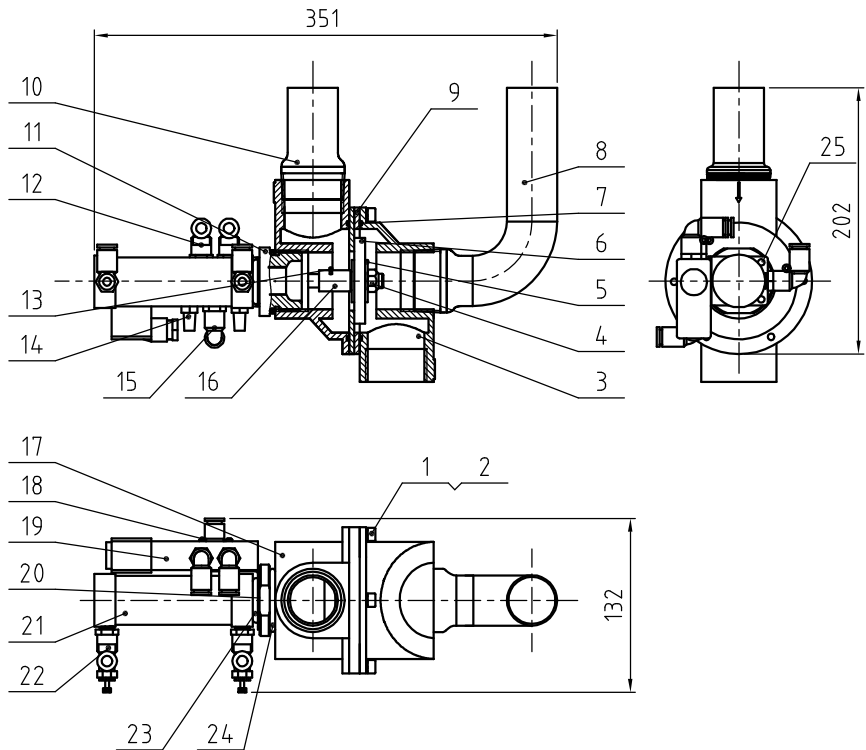
29	YW68004500000	Inner hex flat end lock screw GB/T77 M4x5-Longzine			3
28	YW63040600000	Corss socket pan head screw GB/T-818 M3x5-Longzine			3
27	YW63032500000	Corss socket pan head screw GB/T-818 M4x6-Longzine			2
26	YR40000600600	Micro switch box	ABS		1
25	YE14511200000	Limit switch YBLXW-5/1HG2	Assembly		1
24	BL04402200020	Micro switch fixed plate SD-40H-A-22	SUS201		1
23	SD-40H-B-07	Double head screw	Q235A		3
22	YW68041000000	Inner hex. flat end lock screw GB/T77 M4x10-Longzine			1
21	YW08001000100	Synchronous belt		45	1
20	YW65008000100	Standard spring washer GB/T193 8-Longzine			2
19	YW61084500000	Inner hex. cylinder screw GB/T7181 M6x5-12.9Thread-Longzine			2
18	SD-40H-B-05	Honeycomb mount shaft		45	2
17	YR00025400000	Synchronous belt 20x254XL	Assembly		1
16	YW71018000500	Honeycomb φ180x200 (SD-40H-B-11)	Assembly		1
15	SD-40H-B-06	Silicone Teflon washer (upper)	Red silical gel+ Teflon		1
14	SD-40H-B-01	Honeycomb upper cover	YL112		1
13	YW68051000000	Inner hex flat end lock screw GB/T77 M5x10-Longzine			5
12	SD-40H-B-04	1.5" direct pipe	SUS201		3
11	SD-40H-B-03	2" direct pipe	SUS201		2
10	YW64001600000	Hex. nut GB/T6170 M16-Longzine			6
9	YW01201800000	Spring (SD-700H-B-07)	70		3 Borrow
8	YW66163000000	Flat washer A grade GB/T197.1.16(17.5x30x3)-Longzine			6
7	YW63044500000	Cross socket pan head screw GB/T-818 M4x5-Longzine			2
6	SD-400H-A-40	Belt regulator	Assembly		1
5	SD-40H-B-09	Silicone Teflon washer (upper)			1 Borrow
4	SD-40H-B-02	Honeycomb lower cover	YL112		1
3	YW64040700000	Hex. nut GB/T41 M4x0.7-Longzine	Red silical gel+ Teflon		4
2	YW61059500000	Inner hex. cylinder screw GB/T710.1 M5x95-12.9-Longzine			4
1	YM50031500000	Gear motor 3IK15GN-C-T	Assembly		1

Mark	After modification	Before modification	Modified by	Modify date	Checked by	Date

No.	Material number	Name	Material	Number	Remarks

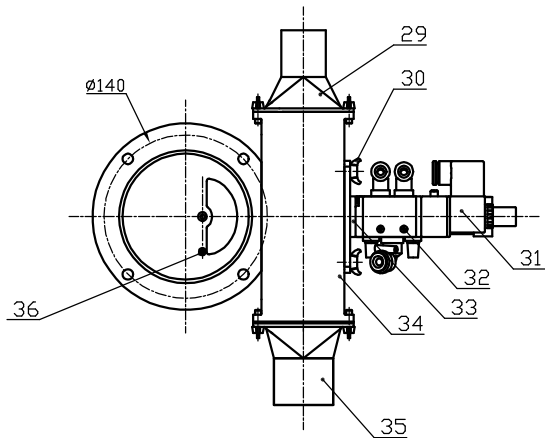
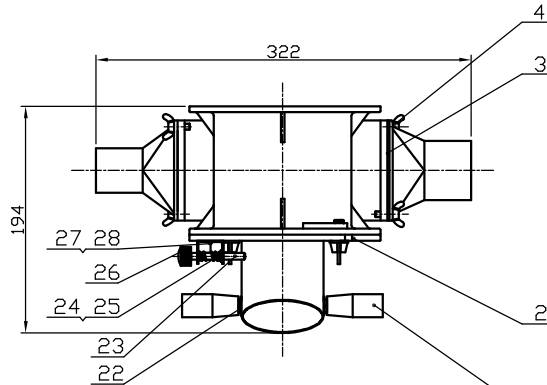
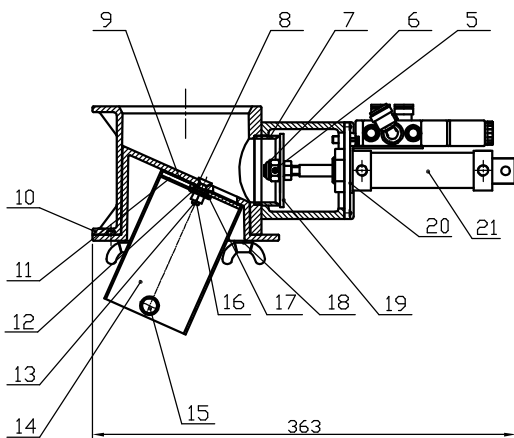
**SHINI** 信易電熱機械股份有限公司  
 Shini Plastics Technologies, Inc.

Scale	15	Number	1
Surface requirement	Material	Assembly	
Material number			



25	YW63040600000	Cross socket pan head screw GB/T-818 M4x6-Longzine		2	
24	YR20044800000	O-type seal ring $\phi 4.8 \times \phi 4$	Rubber	1	
23	YR20305000000	O-type seal ring $\phi 30 \times \phi 5$	Rubber	1	
22	YW80061800000	Adjustable air connector ASL6-1/8	Assembly	2	
21	YE31125010000	Cylinder MBL25x50-U(AIRTAC)		1	
20	SAL-910G-A-07	Solenoid valve fixed plate	SPCC1.2	1	
19	YE32421600100	Solenoid valve 4-V210-06 AC24V	Assembly	1	
18	YW63042500000	Cross socket pan head screw GB/T-818 M4x25-Longzine		2	
17	BR40230700010	Upper cover SCD-230U/120H-D-07	YL112	1	
16	BH10906000110	Height increased iron rod SAL-910G-A-06	Q235A	1	
15	YW80081800100	Air pipe connector APL8-1/8	Assembly	1	
14	YW80010800000	Silencer BSL-01	Assembly	2	
13	YW68005500000	Inner hex.flat end lock screw GB/T77 M5x5-Longzine		1	
12	YW80061800200	Air pipe connector APL6-1/8	Assembly	2	
11	BH13900700010	3-way valve connector SAL-910G-A-05	6061	1	
10	BL22900000320	Suction pipe 2 SAL-910G-A-04	SUS201	2	
9	SCD-230U/120H-D-06	3-way valve middle flange	SPH4.0	1	
8	BL22900000120	Suction pipe 1 SAL-910G-A-03	SUS201	1	
7	YR20258900000	O-type seal ring $\phi 89 \times \phi 2.5$ (inner dia.)	Rubber	2	
6	BR10651200040	4-way diaphragm 65x12x8mm covered (has mould)	Assembly	1	
5	YW66103200000	Large washer A grade GB/T96 10(10.5x30x2.5)-Longzine		2	
4	YW64101100000	Hex. lock nut M10(Thickness: 11mm)		1	
3	BH10090000510	Valve 1 SAL-910G-A-01	YL112	1	
2	YW65006000000	Standard spring washer GB/T93 6-A2-70(SUS)		6	
1	YW61062000300	Inner hex. cylindrical screw GB/T70.1 M6x20-12.9-Longzine		6	
No.	Material number	Name	Mat.	Num.	Rem.

					Draw.	Ver.	Title	Drawing no.	Scale	1:5	Num	1
					Desi.	App.	3-way Diaphragm valve	SCD-230U/120H-D-ALL			Mat.	
					Check	by				Surface req		
Mark	Before Mark	After Mod.	Modified by.	Date	App.	Date	<b>信易電熱機械股份有限公司</b> <b>Shini Plastics Technologies, Inc.</b>			Mat No		



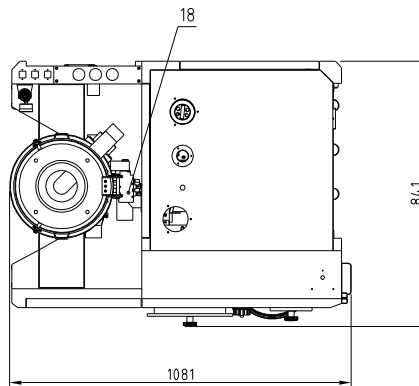
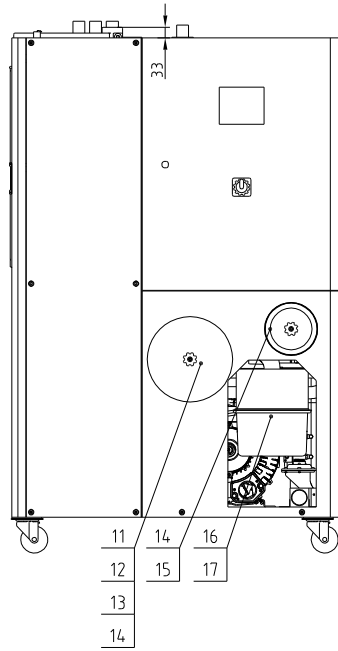
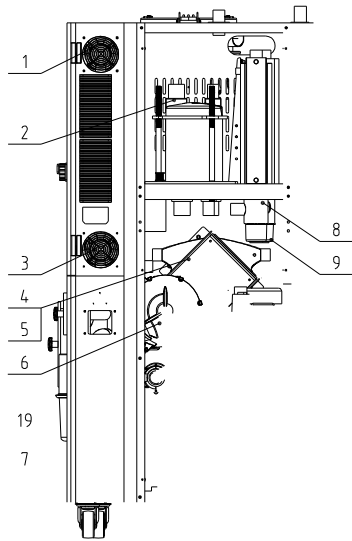
Tech. Req. :  
 1.The clearance between the discharge port body and discharge port sleeve is 0.5mm;

36	YW69042000200	Cross socket pan head assembly screw GB/T 9974.4-M4x20-Longzine		1	
35	SBU-160-50S-V-A-01	Suction port	YL112	1	Borrowed
34	SBU-160-38S-V-A-03	Shut-off body	YL112	1	Borrowed
33	SBU-160-38S-V-A-10	Solenoid valve fixed block	SPCC2.0	1	Borrowed
32	YW63042500000	Cross socket pan head screw GB/T-818 M4x25-Longzine		2	
31	YE32421600000	Solenoid valve 4V210-06/AC220V AirTAC	Assembly	1	
30	YW69061500000	Butterfly bolt GB/T 3098 M6x15		2	
29	SBU-160-38S-V-A-05	Suction port	YL112	1	Borrowed
28	YW62040500000	Large socket pan head screw M4x5JIS1111 M4x5-Longzine		2	
27	SBU-160-38S-V-A-13	Positioning pin fixed base	SUS201	1	Borrowed
26	YW69461600000	Manual screw M4x6x16		1	
25	YW66000500000	E-type spring washer E5		1	
24	SBU-160-38S-V-A-14	Spring	Carbon spring steel wire	1	Borrowed
23	SBU-20-38S-V-A-04	Pin	Q235	1	
22	YW66081900000	Flat washer 8x19x2.0 Longzine		2	
21	YE31255000000	Cylinder MAL25x50-CA-PT(AirTAC)	Assembly	1	
20	SBU-160-38S-V-A-11	Cylinder fixed base	SUS201	1	
19	SBU-160-38S-V-A-19	Diaphragm 63x63x3	SUS201	1	Borrowed
18	YW69081500000	Butterfly bolt GB/T 3098 M8x15		2	
17	YW66061200000	Flat washer A grade GB/T97.1 616.4x12x1.61-A2-70(SUS)		1	
16	YW64060401000	I-type full metal hex lock but GB/T6184 M6-A2-70(SUS)		1	
15	YW60081600100	Hex. head bolt GB/T5783 M8x16-12.9-Longzine		2	
14	SBU-20-38S-V-A-03	Discharge port sleeve	SUS201	1	
13	YW61062500500	Inner hex. countersunk screw GB/T70.3 M6x25-A2-70(SUS)		1	
12	YW66061800000	Large washer A grade GB/T96.1 6-Longzine		1	
11	SBU-20-38S-V-A-05	Hopper inner washer	SUS201	1	
10	SBU-20-38S-V-A-01	Collective body	YL112	1	
9	SBU-20-38S-V-A-06	Hopper bottom washer	SUS201	1	
8	YW66061300000	Flat washer A grade GB/T97.1 6-Longzine		2	
7	SBU-160-38S-V-A-09	Shut-off port	SUS201	1	Borrowed
6	BH10160009710	Anti-loose nut M10x1.25(M4 lock hole)SBU-160-38S-V-A-2	Assembly	1	
5	YW68004500000	Inner hex. flat head lock nut GB/T77 M4x5-Longzine		1	
4	YW69051500000	Butterfly bolt GB/T 3098-M5x15		4	
3	SBU-160-38S-V-A-07	Air replenishment fender	SUS201	1	Borrowed
2	SBU-20-38S-V-A-02	Discharge port	YL112	1	
1	YW06000100000	Cutter rotating rod (without rod) handle	Plastics	2	
No.	Material number	Name	Material	Number	Remarks

					Drawer	Version	Title	Proportion	1:4	Number	1
					Designer	Approved by	SBU-20-38S-V		Material	Assembly	
					Proofread by	Date	Shut-off Suction Box				
Mark	After modification	Before modification	Modified by	Modify date	Checked by				Surface requirement		
							<b>SHINI</b> 信易電熱機械股份有限公司 Shini Plastics Technologies, Inc.		Material number		



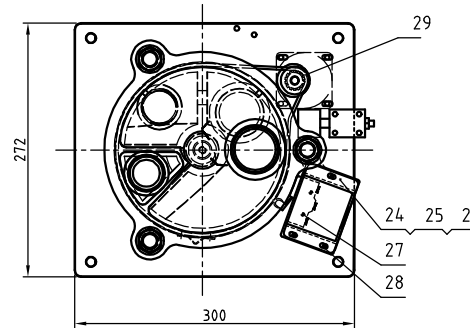
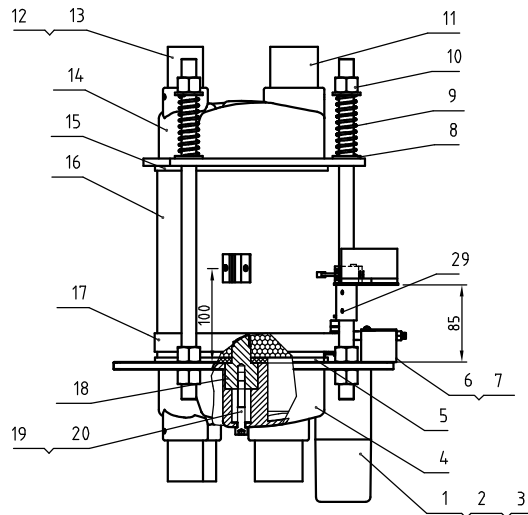
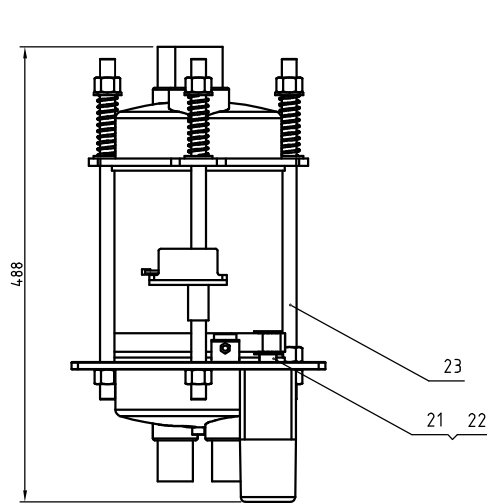
Conveying blower power	Regen blower power	Drying blower power	Regen heater power	Drying blower power	Dehumidifying air quantity	Insulated Hopper Capacity	Model version
1.5KW	0.4KW	0.18KW	3KW	4KW	4.0m <sup>3</sup> /hr	4.0L	Ver E



19	SCD-230U120H-D-ALL	Three-way diaphragm valve	Assembly	1
18	SBU-20-38S-V-A-ALL	Shut-off suction box	Assembly	1
17	YR10080000300	Filter barrel fastener SAL-810G-A-03	Assembly	1
16	YR50127000000	Filter ADC1 ext. 126xinner 70x H 254mm	Assembly	1
15	YR50128300000	Filter ADC 18 fastener rubber	Assembly	1
14	YW09675100000	Small nut S/16	Assembly	2
13	BR90120500010	Filter barrel cover SD-120H-ALL-05	PC	1
12	YR10120400000	Filter barrel fastener SD-120H-ALL-04	Silica gel	1
11	YR50708000200	Filter SAL-700/800G fastener rubber silica gel	Assembly	1
10	YM30012900000	Hongsheng blower EHS-129(1/4HP)	Assembly	1
9	BH70150400050	Pipe heater for 4KW 3φ230V/400V use	Assembly	1
8	BH70183460000	Pipe heater for 3KW 3φ230V/400V	Assembly	1
7	BM30042000050	Shini blower RB-420	Assembly	1
6	BM30020500050	Shini blower RB-205(1/2HP) black	Assembly	1
5	BE90250000050	Thermocouple SD-30H/120H(2.5M)MY01	Assembly	1
4	SCD-80U/40H-C-ALL	Heat exchanger	Assembly	1
3	YR40120300000	3-in-1 anti-dust plastic screen GRM120-30(12x12)	Plastics	1
2	SD-40H-B-ALL	Honeycomb rotor	Assembly	1
1	YM60121206400	Exhaust fan 12x12CM/24VAC/50/60HZ with plastic screen	Assembly	1

					Dra.	Ver.
					Desi.	App by
					Check	
Mark	Before Mod.	After Mod.	Mod. by	Date	App	Date

Title SCD-40U/40H-A		Drawing No. SCD-40U/40H-ALL-A		Scale 1:15	Qty
"All-in-One" Compact Dryer					Mat
		信易電熱機械股份有限公司 Shini Plastics Technologies, Inc.		Surface Req	
				Mat No.	

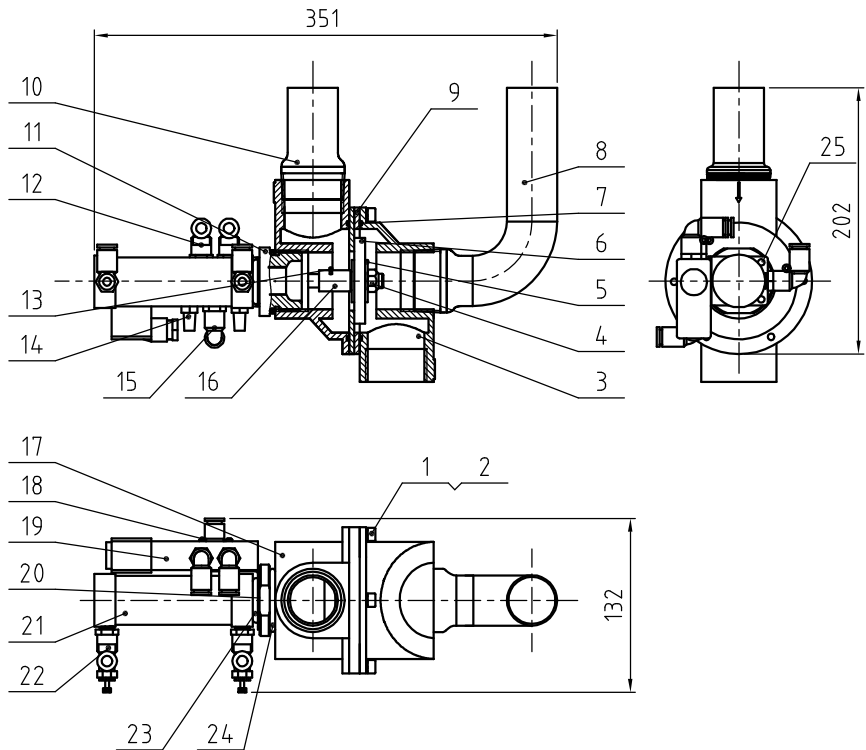


29	YW68004500000	Inner hex flat end lock screw GB/T77 M4x5-Longzine			3	
28	YW63040600000	Corsr socket pan head screw GB/T-818 M3x5-Longzine			3	
27	YW63032500000	Corsr socket pan head screw GB/T-818 M4x6-Longzine			2	
26	YR40000600600	Micro switch box	ABS		1	
25	YE14511200000	Limit switch YBLXW-5/1HG2	Assembly		1	
24	BL04402200020	Micro switch fixed plate SD-40H-A-22	SUS201		1	
23	SD-40H-B-07	Double head screw	Q235A		3	
22	YW68041000000	Inner hex. flat end lock screw GB/T77 M4x10-Longzine			1	
21	YW08001000100	Synchronous belt		45	1	
20	YW65008000100	Standard spring washer GB/T193 8-Longzine			2	
19	YW61084500000	Inner hex. cylinder screw GB/T781 M4x5-12.9Thread-Longzine			2	
18	SD-40H-B-05	Honeycomb mount shaft		45	2	
17	YR00025400000	Synchronous belt 20x254XL	Assembly		1	
16	YW71018000500	Honeycomb φ180x200 (SD-40H-B-11)	Assembly		1	
15	SD-40H-B-06	Silicone Teflon washer (upper)	Red silical gel+ Teflon		1	
14	SD-40H-B-01	Honeycomb upper cover	YL112		1	
13	YW68051000000	Inner hex flat end lock screw GB/T77 M5x10-Longzine			5	
12	SD-40H-B-04	1.5" direct pipe	SUS201		3	
11	SD-40H-B-03	2" direct pipe	SUS201		2	
10	YW64001600000	Hex. nut GB/T6170 M16-Longzine			6	
9	YW01201800000	Spring (SD-700H-B-07)		70	3	Borrow
8	YW66163000000	Flat washer A grade GB/T197.1 16(17.5x30x3)-Longzine			6	
7	YW63044500000	Cross socket pan head screw GB/T-818 M4x5-Longzine			2	
6	SD-400H-A-40	Belt regulator	Assembly		1	
5	SD-40H-B-09	Silicone Teflon washer (upper)			1	Borrow
4	SD-40H-B-02	Honeycomb lower cover	YL112		1	
3	YW64040700000	Hex. nut GB/T41 M4x0.7-Longzine	Red silical gel+ Teflon		4	
2	YW61059500000	Inner hex. cylinder screw GB/T70.1 M5x95-12.9-Longzine			4	
1	YM50031500000	Gear motor 3IK15GN-C-T	Assembly		1	

Mark	After modification	Before modification	Modified by	Modify date	Checked by	Date

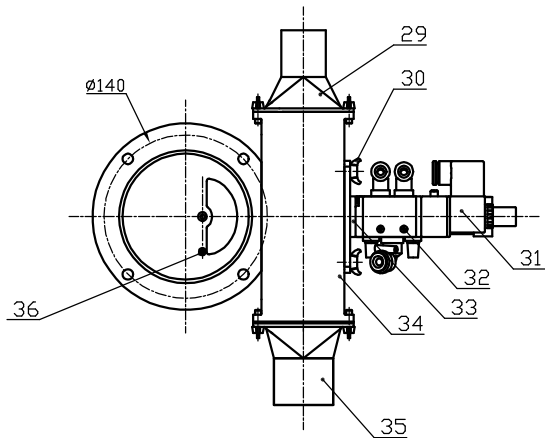
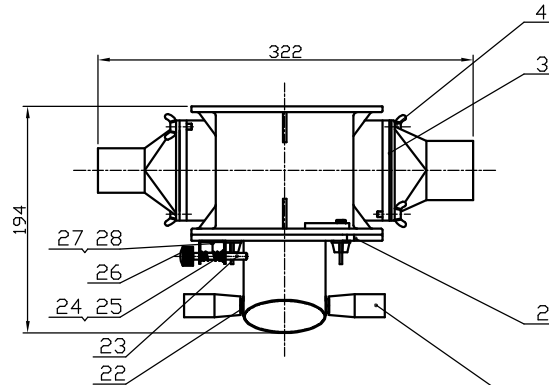
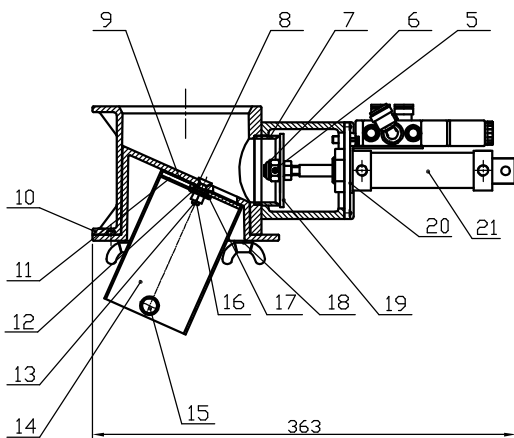
No.	Material number	Name	Material	Num	Remarks
		Title			
		SD-40H			
		Honeycomb Rotor			
		Drawing No.			
		SD-40H-B-ALL			
		Proportion	1:5	Number	1
		Surface requirement	Material	Assembly	
		Material number			

**SHINI** 信易電熱機械股份有限公司  
Shini Plastics Technologies, Inc.




25	YW63040600000	Cross socket pan head screw GB/T-818 M4x6-Longzine		2	
24	YR20044800000	O-type seal ring $\phi 48 \times \phi 4$	Rubber	1	
23	YR20305000000	O-type seal ring $\phi 30 \times \phi 5$	Rubber	1	
22	YW80061800000	Adjustable air connector ASL6-1/8	Assembly	2	
21	YE31125010000	Cylinder MBL25x50-U(AIRTAC)		1	
20	SAL-910G-A-07	Solenoid valve fixed plate	SPCC1.2	1	
19	YE32421600100	Solenoid valve 4V210-06 AC24V	Assembly	1	
18	YW63042500000	Cross socket pan head screw GB/T-818 M4x25-Longzine		2	
17	BR40230700010	Upper cover SCD-230U/120H-D-07	YL112	1	
16	BH10906000110	Height increased iron rod SAL-910G-A-06	Q235A	1	
15	YW80081800100	Air pipe connector APL8-1/8	Assembly	1	
14	YW80010800000	Silencer BSL-01	Assembly	2	
13	YW68005500000	Inner hex.flat end lock screw GB/T77 M5x5-Longzine		1	
12	YW80061800200	Air pipe connector APL6-1/8	Assembly	2	
11	BH13900700010	3-way valve connector SAL-910G-A-05	6061	1	
10	BL22900000320	Suction pipe 2 SAL-910G-A-04	SUS201	2	
9	SCD-230U/120H-D-06	3-way valve middle flange	SPH4.0	1	
8	BL22900000120	Suction pipe 1 SAL-910G-A-03	SUS201	1	
7	YR20258900000	O-type seal ring $\phi 89 \times \phi 2.5$ (inner dia.)	Rubber	2	
6	BR10651200040	4-way diaphragm 65x12x8mm covered (has mould)	Assembly	1	
5	YW66103200000	Large washer A grade GB/T96 10(10.5x30x2.5)-Longzine		2	
4	YW64101100000	Hex. lock nut M10(Thickness: 11mm)		1	
3	BH10090000510	Valve 1 SAL-910G-A-01	YL112	1	
2	YW65006000000	Standard spring washer GB/T93 6-A2-70(SUS)		6	
1	YW61062000300	Inner hex. cylindrical screw GB/T70.1 M6x20-12.9-Longzine		6	
No.	Material number	Name	Mat.	Num.	Rem.

					Draw.	Ver.	Title	Drawing no.	Scale	1:5	Num	1
					Desi.	App.	3-way Diaphragm valve	SCD-230U/120H-D-ALL			Mat.	
					Check	by				Surface req		
Mark	Before Mark	After Mod.	Modified by.	Date	App.	Date	<b>信易電熱機械股份有限公司</b> <b>Shini Plastics Technologies, Inc.</b>			Mat No.		

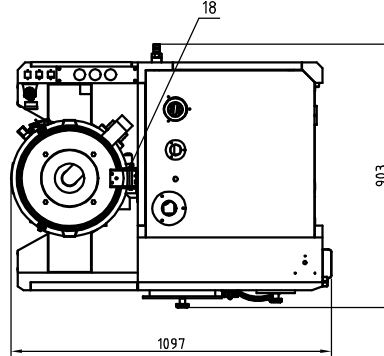
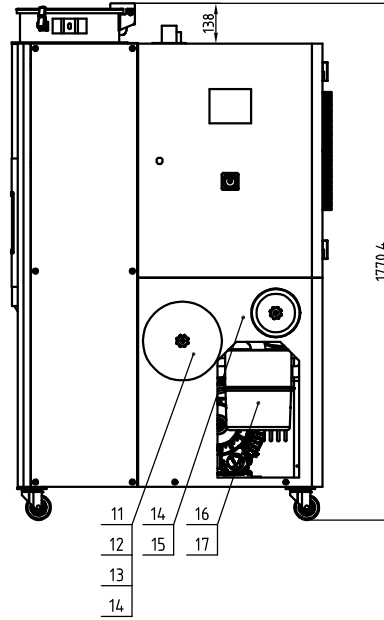
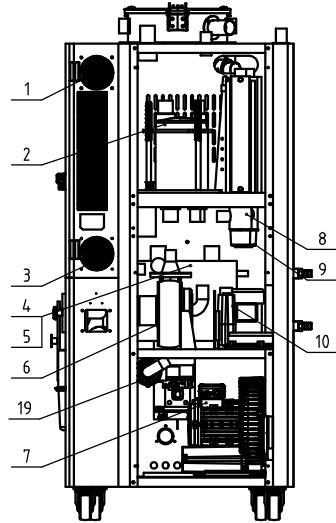


Tech Req: :  
1.The clearance between the discharge port body and discharge port sleeve is 0.5mm;

36	YW69042000200	Cross socket pan head assembly screw GB/T 9074.4-M4x20-Longzine		1	
35	SBU-160-50S-V-A-01	Suction port	YL112	1	Borrowed
34	SBU-160-38S-V-A-03	Shut-off body	YL112	1	Borrowed
33	SBU-160-38S-V-A-10	Solenoid valve fixed block	SPCC2.0	1	Borrowed
32	YW63042500000	Cross socket pan head screw GB/T-818 M4x25-Longzine		2	
31	YE32421600000	Solenoid valve 4 V210-06/ AC220V AirTAC	Assembly	1	
30	YW69061500000	Butterfly bolt GB/T 3098 M6x15		2	
29	SBU-160-38S-V-A-05	Suction port	YL112	1	Borrowed
28	YW62040500000	Large socket pan head screw M4x5.8S1111 M4x5-Longzine		2	
27	SBU-160-38S-V-A-13	Positioning pin fixed base	SUS201	1	Borrowed
26	YW69461600000	Manual screw M4x6x16		1	
25	YW66000500000	E-type spring washer E5		1	
24	SBU-160-38S-V-A-14	Spring	Carbon spring steel wire	1	Borrowed
23	SBU-20-38S-V-A-04	Pin	Q235	1	
22	YW66081900000	Flat washer 8x19x2.0 Longzine		2	
21	YE31255000000	Cylinder MAL25x50-CA-PT(AirTAC)	Assembly	1	
20	SBU-160-38S-V-A-11	Cylinder fixed base	SUS201	1	
19	SBU-160-38S-V-A-19	Diaphragm 63x3x10x3	SUS201	1	Borrowed
18	YW69081500000	Butterfly bolt GB/T 3098 M8x15		2	
17	YW66061200000	Flat washer A grade GB/T97.1 6(6.4x12x1.6)-A2-70(SUS)		1	
16	YW64060401000	I-type full metal hex lock bolt GB/T6184 M6-A2-70(SUS)		1	
15	YW60081600100	Hex. head bolt GB/T5783 M8x16-12.9-Longzine		2	
14	SBU-20-38S-V-A-03	Discharge port sleeve	SUS201	1	
13	YW61062500500	Inner hex. countersink screw GB/T70.3 M6x25-A2-70(SUS)		1	
12	YW66061800000	Large washer A grade GB/T96.1 6-Longzine		1	
11	SBU-20-38S-V-A-05	Hopper inner washer	SUS201	1	
10	SBU-20-38S-V-A-01	Collective body	YL112	1	
9	SBU-20-38S-V-A-06	Hopper bottom washer	SUS201	1	
8	YW66061300000	Flat washer A grade GB/T97.1 6-Longzine		2	
7	SBU-160-38S-V-A-09	Shut-off port	SUS201	1	Borrowed
6	BH10160009710	Anti-loose nut M10x1.25(M4 lock hole)SBU-160-38S-V-A-2	Assembly	1	
5	YW68004500000	Inner hex. flat head lock nut GB/T777 M4x5-Longzine		1	
4	YW69051500000	Butterfly bolt GB/T 3098-M5x15		4	
3	SBU-160-38S-V-A-07	Air replenishment fender	SUS201	1	Borrowed
2	SBU-20-38S-V-A-02	Discharge port	YL112	1	
1	YW06000100000	Cutter rotating rod (without rod) handle	Plastics	2	
No.	Material number	Name		Material Number	Remarks

					Drawer	Version	Title	SBU-20-38S-V	Proportion	1:4	Number	1
					Designer	Approved by	Shut-off Suction Box	SBU-20-38S-V-A-ALL			Material	Assembly
					Proofread by	Date	 <b>信易電熱機械股份有限公司</b> <b>Shini Plastics Technologies, Inc.</b>		Surface requirement			
Mark	After modification	Before modification	Modified by	Modify date	Checked by				Material number			

Conveying blower power	Regen. blower power	Drying blower power	Regen. heater power	Drying blower power	Dehumidifying air quantity	Insulated Hopper Capacity	Model version
1.5KW	0.12KW	0.18KW	3KW	4KW	40m <sup>3</sup> /hr	80L	Ver.E

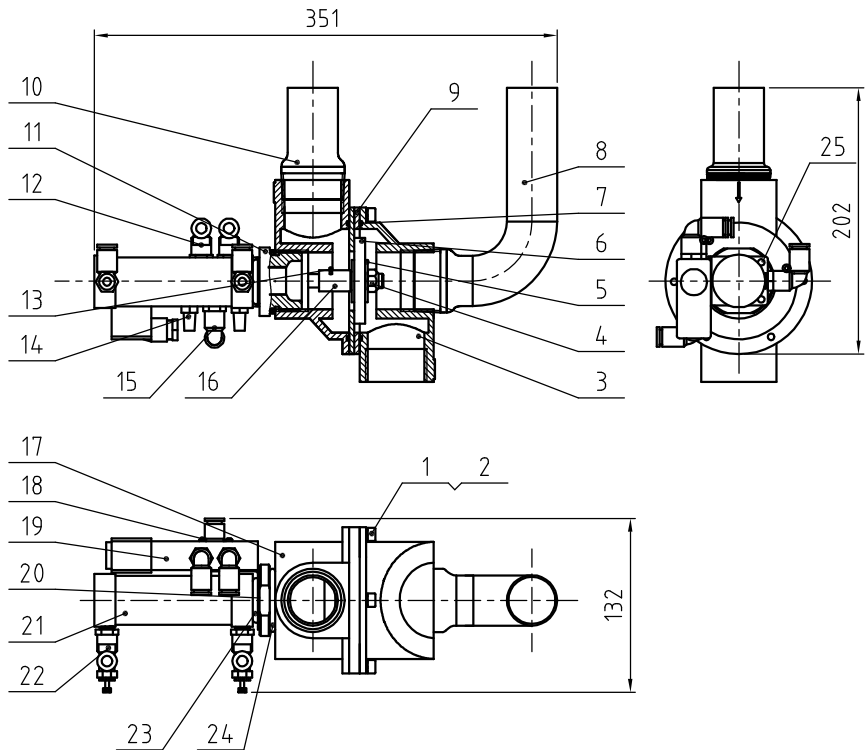


19	SCD-230U120H-D-ALL	Three-way diaphragm valve	Assembly	1	
18	SBU-20-38S-V-A-ALL	Shut-off suction box	Assembly	1	
17	YR10080000300	Filter barrel fastener SAL-810G-A-03	Assembly	1	
16	YR50127000000	Filter ADC1 ext. 126×inner 70× H 254mm	Assembly	1	
15	YR50128300000	Filter ADC 18 fastener rubber	Assembly	1	
14	YW09675100000	Small nut 5/16	Assembly	2	
13	BR90120500010	Filter barrel cover SD-120H-ALL-05	PC	1	
12	YR10120400000	Filter barrel fastener SD-120H-ALL-04	Silica gel	1	
11	YR50708000200	Filter SAL-700/800G fastener rubber silica gel	Assembly	1	
10	YM30012900000	Hongsheng blower EHS-129(1/4HP)	Assembly	1	
9	BH70150400050	Pipe heater for 4KW 3#230V/400V use	Assembly	1	
8	BH70183460000	Pipe heater for 3KW 3#230V/400V	Assembly	1	
7	BM30042000050	Shini blower RB-420	Assembly	1	
6	BM40025300850	Blower 2.5"	Assembly	1	
5	BE90342500050	Thermocouple STM (probe L13 L-2.5M) MY13	Assembly	1	
4	BW88080000020	Cooler SD-80H/120H-B-ALL(the side has hole)	Assembly	1	
3	YR40120300000	3-in-1 anti-dust plastic screen GRM120-30(12x12)	Plastics	1	
2	SD-40H-B-ALL	Honeycomb rotor	Assembly	1	
1	YM60121206400	Exhaust fan 12x120W/24VAC/50/60HZ with plastic screen	Assembly	1	

					Dra.		Ver.	
					Desi.			
					Check		App. by	
Mark	Before Mod.	After Mod.	Mod. by	Date	App.		Date	

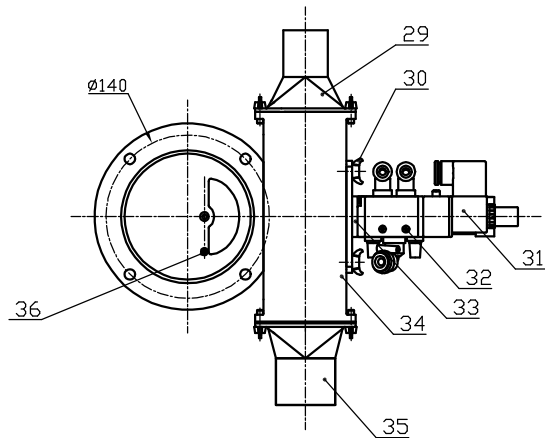
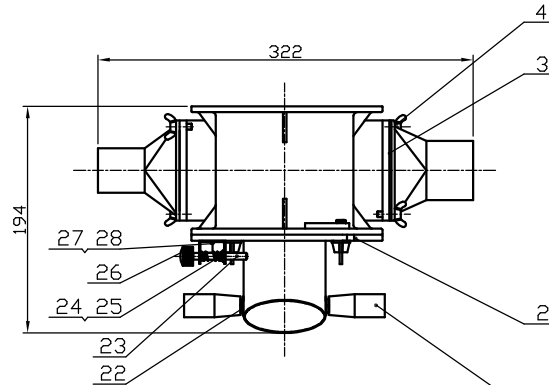
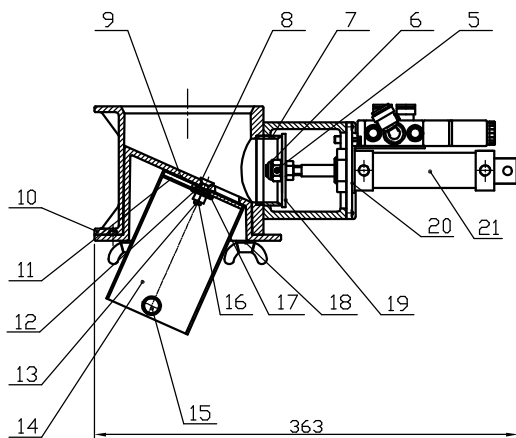
Title		Drawing No.		Scale	Qty.
SCD-80U/40H		SCD-80U/40H-ALL		1:1	
"All-in-One" Compact Dryer				Mat.	
 <b>信易電熱機械股份有限公司</b> <b>Shini Plastics Technologies, Inc.</b>				Surface Req.	
				Mat. No.	





25	YW63040600000	Cross socket pan head screw GB/T-818 M4x6-Longzine		2	
24	YR20044800000	O-type seal ring $\phi 4.8 \times \phi 4$	Rubber	1	
23	YR20305000000	O-type seal ring $\phi 30 \times \phi 5$	Rubber	1	
22	YW80061800000	Adjustable air connector ASL6-1/8	Assembly	2	
21	YE31125010000	Cylinder MBL25x50-U(AIRTAC)		1	
20	SAL-910G-A-07	Solenoid valve fixed plate	SPCC1.2	1	
19	YE32421600100	Solenoid valve 4 V210-06 AC24V	Assembly	1	
18	YW63042500000	Cross socket pan head screw GB/T-818 M4x25-Longzine		2	
17	BR40230700010	Upper cover SCD-230U/120H-D-07	YL112	1	
16	BH10906000110	Height increased iron rod SAL-910G-A-06	Q235A	1	
15	YW80081800100	Air pipe connector APL8-1/8	Assembly	1	
14	YW80010800000	Silencer BSL-01	Assembly	2	
13	YW68005500000	Inner hex.flat end lock screw GB/T77 M5x5-Longzine		1	
12	YW80061800200	Air pipe connector APL6-1/8	Assembly	2	
11	BH13900700010	3-way valve connector SAL-910G-A-05	6061	1	
10	BL22900000320	Suction pipe 2 SAL-910G-A-04	SUS201	2	
9	SCD-230U/120H-D-06	3-way valve middle flange	SPH4.0	1	
8	BL22900000120	Suction pipe 1 SAL-910G-A-03	SUS201	1	
7	YR20258900000	O-type seal ring $\phi 8.9 \times \phi 2.5$ (ext. dia.)	Rubber	2	
6	BR10651200040	4-way diaphragm 65x12x8mm covered (has mould)	Assembly	1	
5	YW66103200000	Large washer A grade GB/T96 10(10.5x30x2.5)-Longzine		2	
4	YW64101100000	Hex. lock nut M10(Thickness: 11mm)		1	
3	BH10090000510	Valve 1 SAL-910G-A-01	YL112	1	
2	YW65006000000	Standard spring washer GB/T93 6-A2-70(SUS)		6	
1	YW61062000300	Inner hex. cylindrical screw GB/T70.1 M6x20-12.9-Longzine		6	
No.	Material number	Name	Mat.	Num.	Rem.

					Draw.		Ver.		Title	SCD-230U/120H	Drawing no.	SCD-230U/120H-D-ALL	Scale	1:5	Num	1
					Desi.		App.			3-way Diaphragm valve					Mat.	
					Check		by						Surface req.			
Mark	Before Mark	After Mod.	Modified by	Date	App.		Date	20170206		信易電熱機械股份有限公司	Shini Plastics Technologies, Inc.	Mat No				



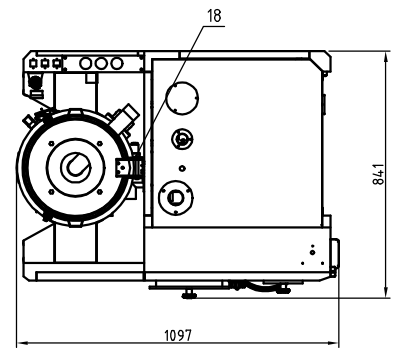
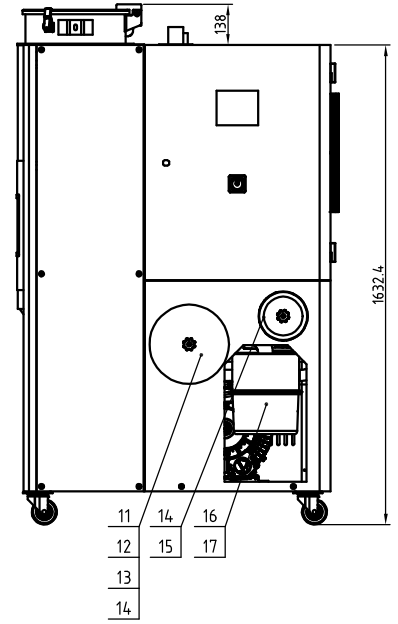
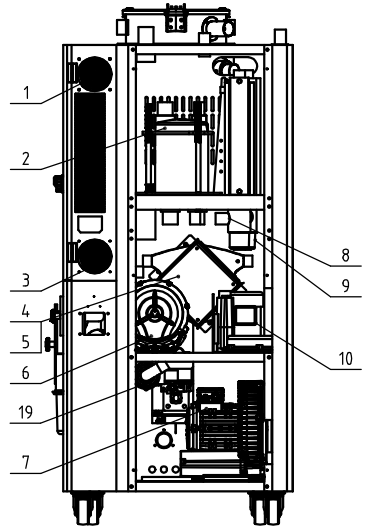
Tech. Req.:  
1.The clearance between the discharge port body and discharge port sleeve is 0.5mm;

36	YW69042000200	Cross socket pan head assembly screw GB/T 9074.4-M4x20-Longzine		1	
35	SBU-160-50S-V-A-01	Suction port	YL112	1	Borrowed
34	SBU-160-38S-V-A-03	Shut-off body	YL112	1	Borrowed
33	SBU-160-38S-V-A-10	Solenoid valve fixed block	SPCC2.0	1	Borrowed
32	YW63042500000	Cross socket pan head screw GB/T-818 M4x25-Longzine		2	
31	YE32421600000	Solenoid valve 4 V210-06/ AC220V AirTAC	Assembly	1	
30	YW69061500000	Butterfly bolt GB/T 3098 M6x15		2	
29	SBU-160-38S-V-A-05	Suction port	YL112	1	Borrowed
28	YW62040500000	Large socket pan head screw M4x5.8JIS1111 M4x5-Longzine		2	
27	SBU-160-38S-V-A-13	Positioning pin fixed base	SUS201	1	Borrowed
26	YW69461600000	Manual screw M4x6x16		1	
25	YW66000500000	E-type spring washer E5		1	
24	SBU-160-38S-V-A-14	Spring	Carbon spring steel wires	1	Borrowed
23	SBU-20-38S-V-A-04	Pin	Q235	1	
22	YW66081900000	Flat washer 8x19x2.0 Longzine		2	
21	YE31255000000	Cylinder MAL25x50-CA-PT(AirTAC)	Assembly	1	
20	SBU-160-38S-V-A-11	Cylinder fixed base	SUS201	1	
19	SBU-160-38S-V-A-19	Diaphragm 663x610x3	SUS201	1	Borrowed
18	YW69081500000	Butterfly bolt GB/T 3098 M8x15		2	
17	YW66061200000	Flat washer A grade GB/T97.1 616.4x12x1.61-A2-70(SUS)		1	
16	YW64060401000	I-type full metal hex lock bolt GB/T6184 M6-A2-70(SUS)		1	
15	YW60081600100	Hex. head bolt GB/T5783 M8x16-12.9-Longzine		2	
14	SBU-20-38S-V-A-03	Discharge port sleeve	SUS201	1	
13	YW61062500500	Inner hex. countersunk screw GB/T70.3 M6x25-A2-70(SUS)		1	
12	YW66061800000	Large washer A grade GB/T96.1 6-Longzine		1	
11	SBU-20-38S-V-A-05	Hopper inner washer	SUS201	1	
10	SBU-20-38S-V-A-01	Collective body	YL112	1	
9	SBU-20-38S-V-A-06	Hopper bottom washer	SUS201	1	
8	YW66061300000	Flat washer A grade GB/T97.1.6-Longzine		2	
7	SBU-160-38S-V-A-09	Shut-off port	SUS201	1	Borrowed
6	BH10160009710	Anti-loose nut M10x1.25(H4 lock hole)SBU-160-38S-V-A-2	Assembly	1	
5	YW68004500000	Inner hex. flat head lock nut GB/T77 M4x5-Longzine		1	
4	YW69051500000	Butterfly bolt GB/T 3098-M5x15		4	
3	SBU-160-38S-V-A-07	Air replenishment fender	SUS201	1	Borrowed
2	SBU-20-38S-V-A-02	Discharge port	YL112	1	
1	YW06000100000	Cutter rotating rod (without rod) handle	Plastics	2	
No.	Material number	Name	Material	Number	Remarks

					Drawer	Version	Title	SBU-20-38S-V	Proportion	1:4	Number	1
					Designer	Approved by	Shut-off Suction Box	SBU-20-38S-V-A-ALL			Material	Assembly
					Proofread by	Date	<b>信易電熱機械股份有限公司</b> <b>Shini Plastics Technologies, Inc.</b>		Surface requirement			
Mark	After modification	Before modification	Modified by	Modify date	Checked by							



Conveying blower power	Regen. blower power	Drying blower power	Regen. heater power	Drying blower power	Dehumidifying air quantity	Insulated Hopper Capacity	Model version
1.5KW	0.4KW	0.18KW	3KW	4KW	40m <sup>3</sup> /hr	80L	Ver.E

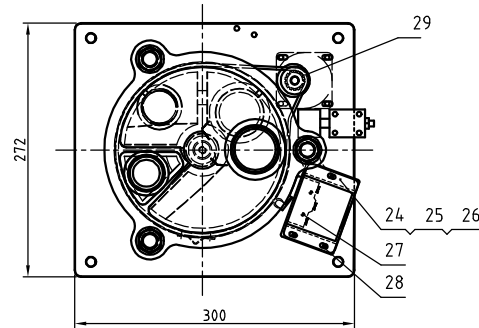
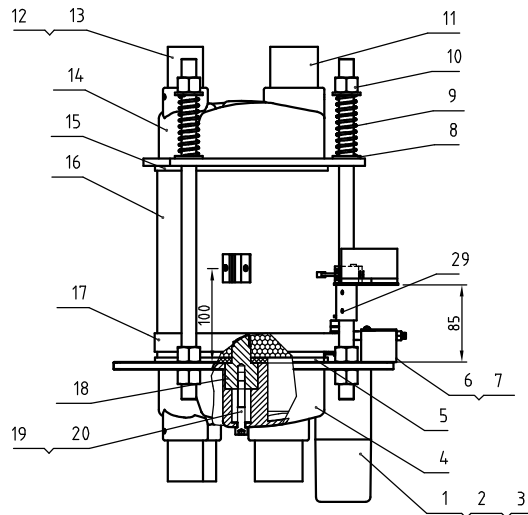
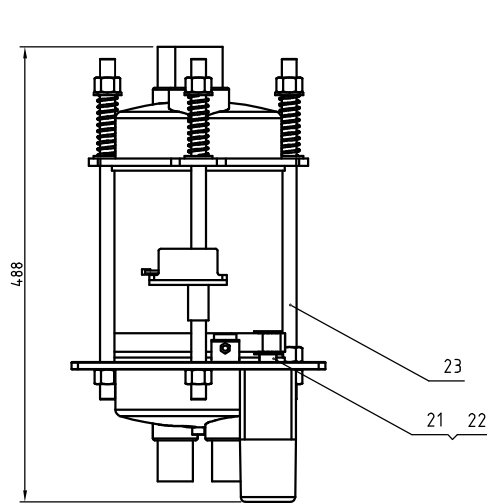


19	SCD-230U120H-D-ALL	Three-way diaphragm valve	Assembly	1	
18	SBU-20-38S-V-A-ALL	Shut-off suction box	Assembly	1	
17	YR10080000300	Filter barrel fastener SAL-810G-A-03	Assembly	1	
16	YR50127000000	Filter ADC1 ext. 126xinner 70x H 254mm	Assembly	1	
15	YR50128300000	Filter ADC 18 fastener rubber	Assembly	1	
14	YW09675100000	Small nut 5/16	Assembly	2	
13	BR90120500010	Filter barrel cover SD-120H-ALL-05	PC	1	
12	YR101204.00000	Filter barrel fastener SD-120H-ALL-04	Silica gel	1	
11	YR50708000200	Filter SAL-700/800 fastener rubber silica gel	Assembly	1	
10	YM30012900000	Hongsheng blower EHS-129(1/4HP)	Assembly	1	
9	BH701504.00050	Pipe heater for 4KW 3ø230V/400V use	Assembly	1	
8	BH701834.60000	Pipe heater for 3KW 3ø230V/400V	Assembly	1	
7	BM30042000050	Shini blower RB-420	Assembly	1	
6	BM30020500050	Shini Blower RB-205(1/2HP) black	Assembly	1	
5	BE90250000050	Thermocouple SD-30H/120H/2.5MMY07	Assembly	1	
4	SCD-80U/4.0H-C-ALL	Heat exchanger	Assembly	1	
3	YR4.01203000000	3-in-1 anti-dust plastic screen GRM120-3ø(12x12)	Plastics	1	
2	SD-40H-B-ALL	Honeycomb rotor	Assembly	1	
1	YM601212064.00	Exhaust fan 12x12CM/24VAC/50/60HZ with plastic screen	Assembly	1	
No.	Material number	Name	Mat.	Num.	Remark

					Dra.		Ver.	0
					Desi.		App. by	
					Check		Date	2016
Mark	Before Mod.	After Mod.	Mod. by	Date	App.		Date	2016

Title	SCD-80U/4.0H-A	Drawing No.	SCD-80U/4.0H-ALL-A	Scale	1:15	Qty.	1
"All-in-One" Compact Dryer					Mat.		
					Mat. No.		

**SHINI** 信易電熱機械股份有限公司  
Shini Plastics Technologies, Inc.

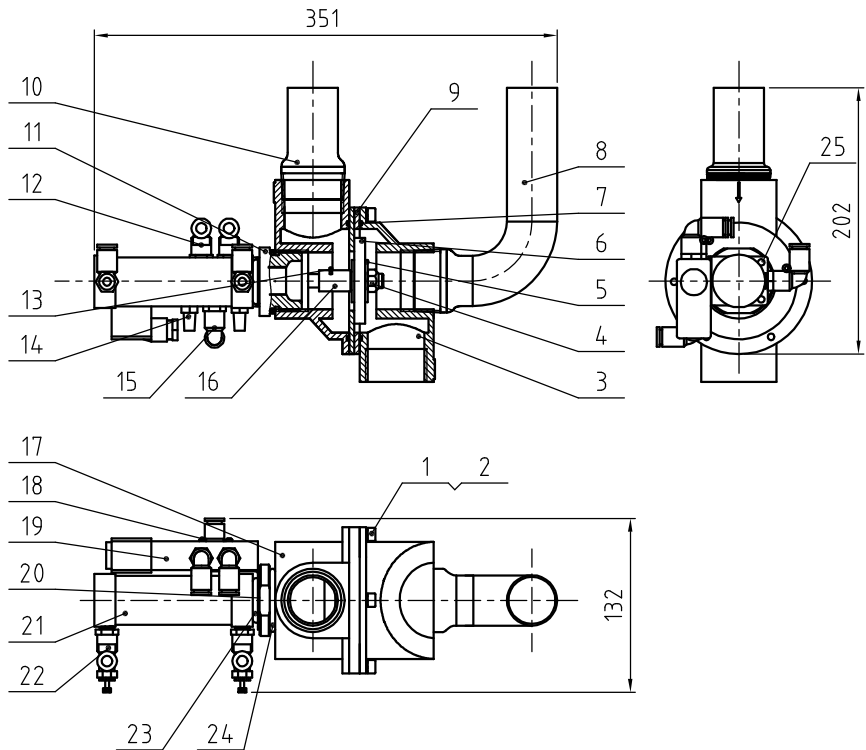


29	YW68004500000	Inner hex flat end lock screw GB/T177 M4x5-Longzine			3	
28	YW63040600000	Corss socket pan head screw GB/T-818 M4x6-Longzine			3	
27	YW63032500000	Corss socket pan head screw GB/T-818 M3x25-Longzine			2	
26	YR40000600600	Micro switch box	ABS		1	
25	YE14511200000	Limit switch YBLXW-5/11G2	Assembly		1	
24	BL04402200020	Micro switch fixed plate SD-40H-A-22	SUS201		1	
23	SD-40H-B-07	Double head screw	Q235A		3	
22	YW68041000000	Inner hex. flat end lock screw GB/T177 M4x10-Longzine			1	
21	YW08001000100	Synchronous belt		45	1	
20	YW65008000100	Standard spring washer GB/T93 8-Longzine			2	
19	YW61084500000	Inner hex. cylinder screw GB/T78.1M8x5-12.9/thread-Longzine			2	
18	SD-40H-B-05	Honeycomb mount shaft		45	2	
17	YR00025400000	Synchronous belt 20x254XL	Assembly		1	
16	YW71018000500	Honeycomb φ180x200 (SD-40H-B-11)	Assembly		1	
15	SD-40H-B-06	Silicone Teflon washer (upper)	Red silical gel+ Teflon		1	
14	SD-40H-B-01	Honeycomb upper cover	YL112		1	
13	YW68051000000	Inner hex flat end lock screw GB/T177 M5x10-Longzine			5	
12	SD-40H-B-04	1.5" direct pipe	SUS201		3	
11	SD-40H-B-03	2" direct pipe	SUS201		2	
10	YW64001600000	Hex. nut GB/T6170 M16-Longzine			6	
9	YW01201800000	Spring (SD-700H-B-07)		70	3	Borrow
8	YW66163000000	Flat washer A grade GB/T97.1 16(17.5x30x3)-Longzine			6	
7	YW63044500000	Cross socket pan head screw GB/T-818 M4x5-Longzine			2	
6	SD-400H-A-40	Belt regulator	Assembly		1	Borrow
5	SD-40H-B-09	Silicone Teflon washer (upper)	Red silical gel+ Teflon		1	
4	SD-40H-B-02	Honeycomb lower cover	YL112		1	
3	YW64040700000	Hex. nut GB/T41 M4x0.7-Longzine			4	
2	YW61059500000	Inner hex. cylinder screw GB/T70.1 M5x95-12.9-Longzine			4	
1	YM50031500000	Gear motor 3IK15GN-C-T	Assembly		1	

Mark	After modification	Before modification	Modified by	Modify date	Checked by	Date

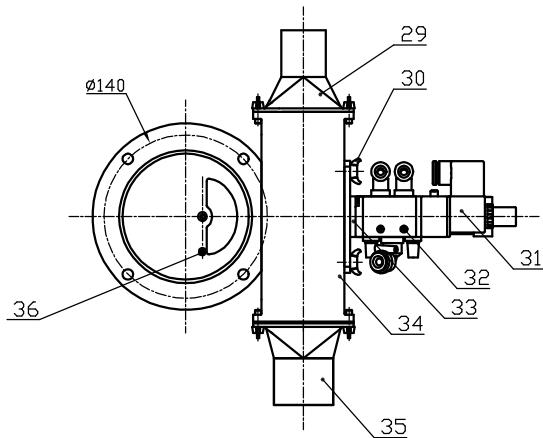
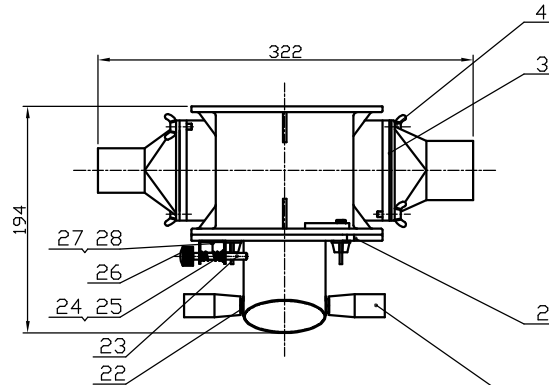
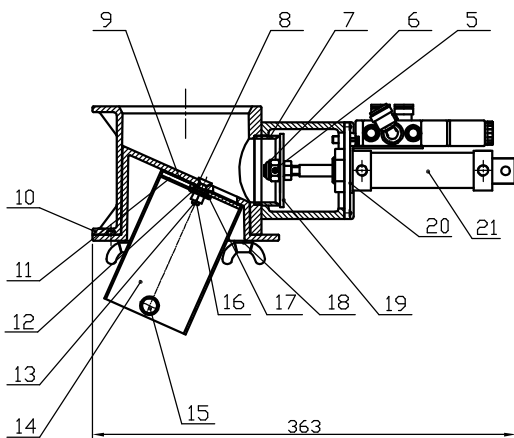
No.	Material number	Name	Material	Num.	Remarks
Title SD-40H Drawing No. SD-40H-B-ALL					
Honeycomb Rotor					
Scale 1:5 Number 1					
Surface requirement					
Material number					

**SHINI** 信易電熱機械股份有限公司  
Shini Plastics Technologies, Inc.



25	YW63040600000	Cross socket pan head screw GB/T-818 M4x6-Longzine		2	
24	YR20044800000	O-type seal ring $\phi 4.8 \times \phi 4$	Rubber	1	
23	YR20305000000	O-type seal ring $\phi 30 \times \phi 5$	Rubber	1	
22	YW80061800000	Adjustable air connector ASL6-1/8	Assembly	2	
21	YE31125010000	Cylinder MBL25x50-U(AIRTAC)		1	
20	SAL-910G-A-07	Solenoid valve fixed plate	SPCC1.2	1	
19	YE32421600100	Solenoid valve 4V210-06 AC24V	Assembly	1	
18	YW63042500000	Cross socket pan head screw GB/T-818 M4x25-Longzine		2	
17	BR40230700010	Upper cover SCD-230U/120H-D-07	YL112	1	
16	BH10906000110	Height increased iron rod SAL-910G-A-06	Q235A	1	
15	YW80081800100	Air pipe connector APL8-1/8	Assembly	1	
14	YW80010800000	Silencer BSL-01	Assembly	2	
13	YW68005500000	Inner hex.flat end lock screw GB/T77 M5x5-Longzine		1	
12	YW80061800200	Air pipe connector APL6-1/8	Assembly	2	
11	BH13900700010	3-way valve connector SAL-910G-A-05	6061	1	
10	BL22900000320	Suction pipe 2 SAL-910G-A-04	SUS201	2	
9	SCD-230U/120H-D-06	3-way valve middle flange	SPH4.0	1	
8	BL22900000120	Suction pipe 1 SAL-910G-A-03	SUS201	1	
7	YR20258900000	O-type seal ring $\phi 89 \times \phi 2.5$ (ext. dia.)	Rubber	2	
6	BR10651200040	4-way diaphragm 65x12x8mm covered (has mould)	Assembly	1	
5	YW66103200000	Large washer A grade GB/T96 10(10.5x30x2.5)-Longzine		2	
4	YW64101100000	Hex. lock nut M10(Thickness: 11mm)		1	
3	BH10090000510	Valve 1 SAL-910G-A-01	YL1112	1	
2	YW65006000000	Standard spring washer GB/T93 6-A2-70(SUS)		6	
1	YW61062000300	Inner hex. cylindrical screw GB/T70.1M6x20-12.9-Longzine		6	
No.	Material number	Name	Mat.	Num.	Rem.

Draw.	Ver.	Title	Drawing no.	Scale	1:5	Num.	1
Desi.	App.	3-way Diaphragm valve	SCD-230U/120H-D-ALL		Mat.		
Check	by				Surface req.		
Mark	Before Mark	After Mod.	Modified by.	Date	App.	Date	20170206
				<b>信易電熱機械股份有限公司</b> <b>Shini Plastics Technologies, Inc.</b>		Mat No.	

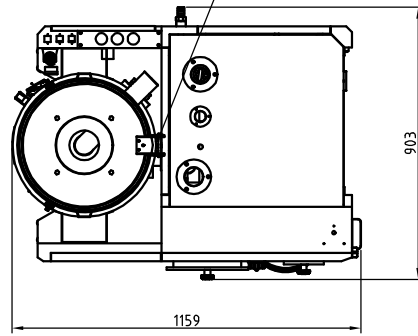
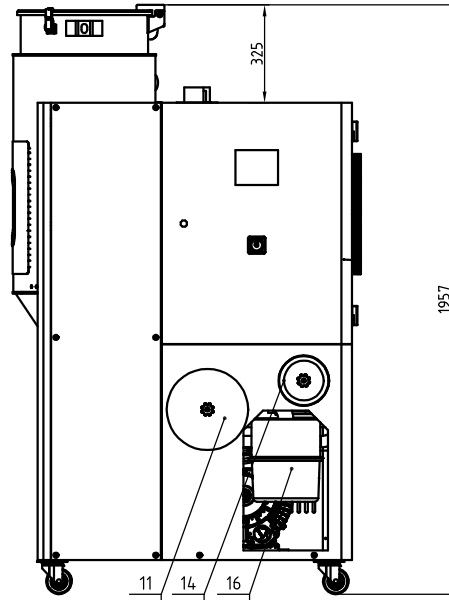
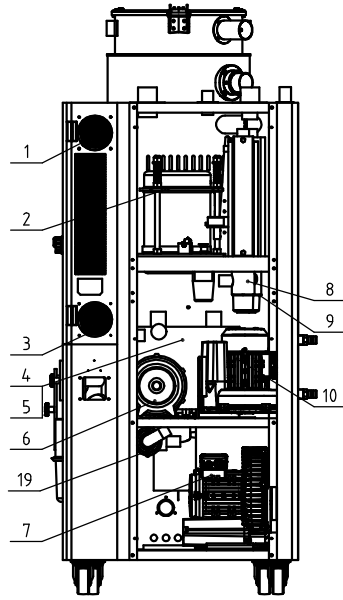


Tech. Req. :  
1.The clearance between the discharge port body and discharge port sleeve is 0.5mm;

36	YW69042000200	Cross socket pan head assembly screw GB/T 9074.4-M4x20-Longzine		1	
35	SBU-160-50S-V-A-01	Suction port	YL112	1	Borrowed
34	SBU-160-38S-V-A-03	Shut-off body	YL112	1	Borrowed
33	SBU-160-38S-V-A-10	Solenoid valve fixed block	SPCC2.0	1	Borrowed
32	YW63042500000	Cross socket pan head screw GB/T-818 M4x25-Longzine		2	
31	YE32421600000	Solenoid valve 4V210-06/AC220V AirTAC	Assembly	1	
30	YW69061500000	Butterfly bolt GB/T 3098 M6x15		2	
29	SBU-160-38S-V-A-05	Suction port	YL112	1	Borrowed
28	YW62040500000	Large socket pan head screw M4x5JIS1111 M4x5-Longzine		2	
27	SBU-160-38S-V-A-13	Positioning pin fixed base	SUS201	1	Borrowed
26	YW69461600000	Manual screw M4x6x16		1	
25	YW66000500000	E-type spring washer E5		1	
24	SBU-160-38S-V-A-14	Spring	Carbon spring steel wires	1	Borrowed
23	SBU-20-38S-V-A-04	Pin	Q235	1	
22	YW66081900000	Flat washer 8x19x2.0 Longzine		2	
21	YE31255000000	Cylinder MAL25x50-CA-PT(AirTAC)	Assembly	1	
20	SBU-160-38S-V-A-11	Cylinder fixed base	SUS201	1	
19	SBU-160-38S-V-A-19	Diaphragm 63x63x3	SUS201	1	Borrowed
18	YW69081500000	Butterfly bolt GB/T 3098 M8x15		2	
17	YW66061200000	Flat washer A grade GB/T97.1 616.4x12x1.61-A2-70(SUS)		1	
16	YW64060401000	I-type full metal hex lock but GB/T6184 M6-A2-70(SUS)		1	
15	YW60081600100	Hex. head bolt GB/T5783 M8x16-12.9-Longzine		2	
14	SBU-20-38S-V-A-03	Discharge port sleeve	SUS201	1	
13	YW61062500500	Inner hex. countersunk screw GB/T170.3 M6x25-A2-70(SUS)		1	
12	YW66061800000	Large washer A grade GB/T96.1 6-Longzine		1	
11	SBU-20-38S-V-A-05	Hopper inner washer	SUS201	1	
10	SBU-20-38S-V-A-01	Collective body	YL112	1	
9	SBU-20-38S-V-A-06	Hopper bottom washer	SUS201	1	
8	YW66061300000	Flat washer A grade GB/T97.1 6-Longzine		2	
7	SBU-160-38S-V-A-09	Shut-off port	SUS201	1	Borrowed
6	BH10160009710	Anti-loose nut M10x125(M4 lock hole)SBU-160-38S-V-A-2	Assembly	1	
5	YW68004500000	Inner hex. flat head lock nut GB/T777 M4x5-Longzine		1	
4	YW69051500000	Butterfly bolt GB/T 3098-M5x15		4	
3	SBU-160-38S-V-A-07	Air replenishment fender	SUS201	1	Borrowed
2	SBU-20-38S-V-A-02	Discharge port	YL112	1	
1	YW06000100000	Cutter rotating rod (without rod) handle	Plastics	2	
No.	Material number	Name	Material	Number	Remark

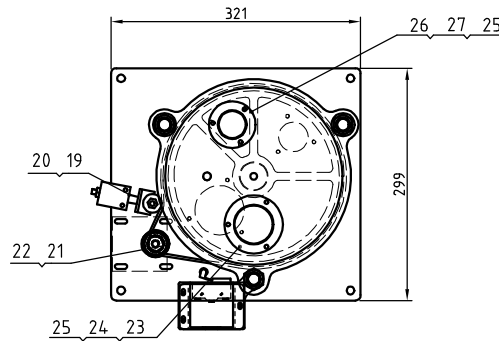
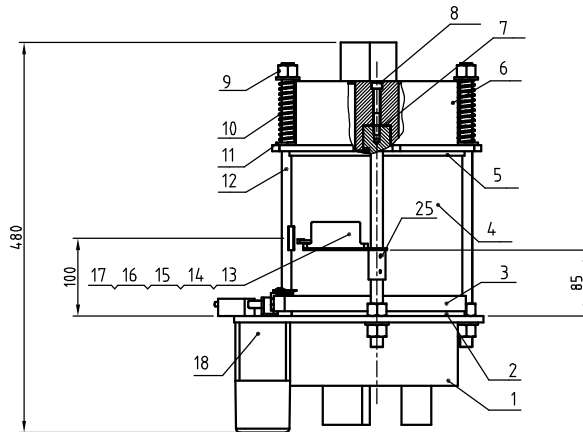
					Drawer	Version	Title	SBU-20-38S-V	Proportion	1:4	Number	1
					Designer	Approved by	Shut-off Suction Box	SBU-20-38S-V-A-ALL		Material	Assembly	
Mark	After modification	Before modification	Modified by	Modify date	Proofread by	Date	<b>信易電熱機械股份有限公司</b> <b>Shini Plastics Technologies, Inc.</b>		Surface requirement			
					Checked by				Material number			

Conveying blower power	Regen. blower power	Drying blower power	Regen. heater power	Drying blower power	Dehumidifying air quantity	Insulated Hopper Capacity	Model version
1.5KW	0.18KW	0.75KW	3KW	4KW	80m <sup>3</sup> /hr	120L	Ver.F



19	SCD-230U120H-D-ALL	Three-way diaphragm valve	Assembly	1	
18	SBU-20-38S-V-A-ALL	Shut-off suction box	Assembly	1	
17	YR10080000300	Filter barrel fastener SAL-810G-A-03	Assembly	1	
16	YR50127000000	Filter ADC1 ext. 126xinner 76x H 254mm	Assembly	1	
15	YR50128300000	Filter ADC 18 fastener rubber	Assembly	1	
14	YW09675100000	Small nut 5/16	Assembly	2	
13	BR90120500010	Filter barrel cover SD-120H-ALL-05	PC	1	
12	YR10120400000	Filter barrel fastener SD-120H-ALL-04	Silica gel	1	
11	YR50708000200	Filter SAL-700/800G fastener rubber silica gel	Assembly	1	
10	BM30031000150	Shini blower RB-310	Assembly	1	
9	BH70150400050	Pipe heater for 4KW 3ø230V/400V	Assembly	1	
8	BH70183460000	Pipe heater for 3KW 3ø230V/400V	Assembly	1	
7	BM30042000050	Shini blower RB-420	Assembly	1	
6	YM30012900000	Hongsheng blower EHS-129(1/4HP)	Assembly	1	
5	BE90342500050	Thermocouple STM (probe: 13 L: 2.5M) MY13	Assembly	1	
4	BW80080000020	Cooler SD-80H/120H-B-ALL (the side has hole)	Assembly	1	
3	YR40120300000	3-in-1 anti-dust plastic screen GRM120-30(12x12)	Plastics	1	
2	SD-120H-B-ALL	Honeycomb rotor	Assembly	1	
1	YM60121206400	Exhaust fan 12x12CM/24VAC/50/60HZ with plastic screen	Assembly	1	
No.	Material number	Name	Mat.	Num.	Remarks

		Dra.		Ver.		Title		Drawing No.		Scale		Qty.	
		Desi.		App. by		"All-in-One" Compact Dryer		SCD-80U/40H-ALL-A		1:15		1	
		Check		Date						Surface Req.			
Mark	Before Mod.	After Mod.	Mod. by	Date	App.	Date	<b>信易電熱機械股份有限公司</b> <b>Shini Plastics Technologies, Inc.</b>				Mat. No.		

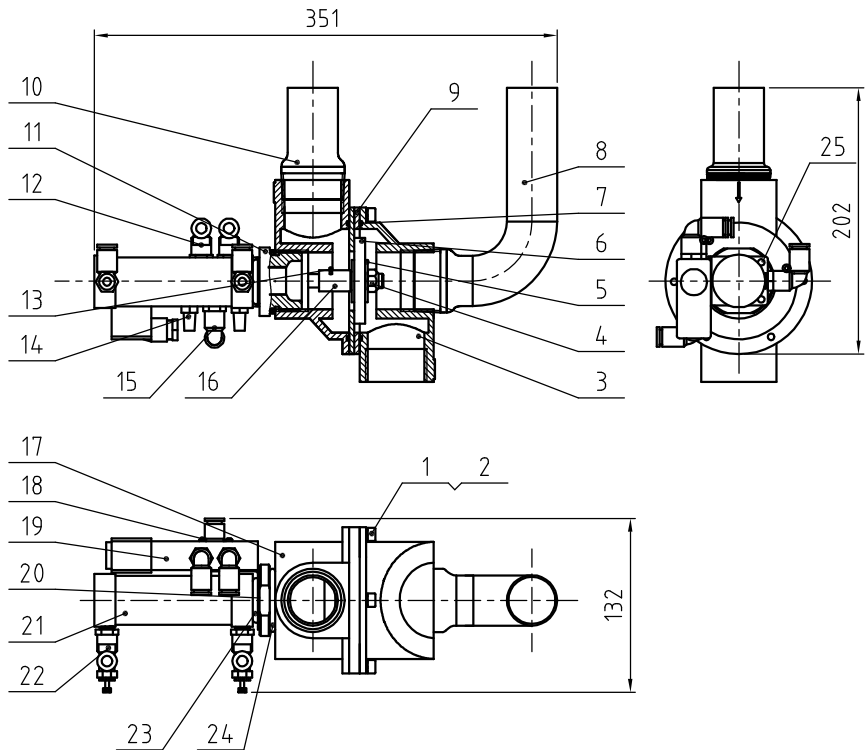


27	SD-120H-B-01	1.5" air pipe flange	SUS201	3	
26	YR90001500200	1.5" flange washer	White silical gel	3	
25	YW62051000100	Cross socket flat head screw JIS111 M5x10-Longzine		15	
24	YR90000200000	2.0" flange washer	White silical gel	2	
23	SD-120H-B-02	2" air pipe flange	SUS201	2	
22	YW68004500000	Inner hex. flat end lock screw GB/T77 M4x5-Longzine		3	
21	YW08001000100	Synchronous belt SD-120H-B-05	4.5#	1	
20	YW63044500000	Cross socket pan head screw GB/T-818 M4x5-Longzine		2	
19	SD-400H-A-40	Belt regulator	Assembly	1	Borrow
18	YM50512600000	Gear motor 3K15GN-C-T	Assembly	1	
17	BL04402200020	Micro switch fixed plate SD-40H-A-22	SUS201	1	
16	YW63040600000	Cross socket pan head screw GB/T-818 M4x5-Longzine		3	
15	YW63032500000	Cross socket pan head screw GB/T-818 M3x25-Longzine		2	
14	YE14511200000	Limit switch YBLXW-5/1IG2	Assembly	1	
13	YR40330900000	Micro switch box	ABS	1	
12	BH10533000010	Double head screw SD-40H-B-07	Q235A	3	galvanized
11	YW66163000000	Flat washer A grade GB/T197.116-Longzine		9	
10	YW01201800000	Spring SD-700H-B-07	70Mn	3	
9	YW64001600000	Hex. nut GB/T6170 M16-Longzine		9	
8	YW61086500000	Inner hex. cylinder screw GB/T781 M8x5-12.9-Longzine		2	
7	SD-40H-B-05	Honeycomb mount shaft	4.5	2	Borrow
6	BA40012000110	Honeycomb upper cover SD-120H-B-03	AC4B	1	
5	YR10010000700	Silicone Teflon washer (upper)	Red silical gel + Teflon	1	
4	SD-120H-B-06	Honeycomb $\phi 220 \times 200L$	Full molecular sieve	1	
3	YR00203000000	Synchronous belt 28-300XL(perimeter: 762)	Assembly	1	
2	YR10010000900	Silicone Teflon washer (lower)	Red silical gel + Teflon	1	
1	BA40012000210	Honeycomb lower cover SD-120H-B-04	AC4B	1	
No.	Material number	Name	Material	Num.	Remarks

					Drawer		Version	
					Designer			
					Proofread by		Approved by	
Mark	After modification	Before modification	Modified by	Modify date	Checked by		Date	

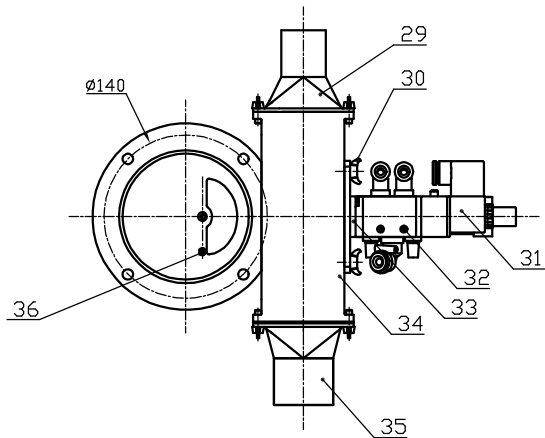
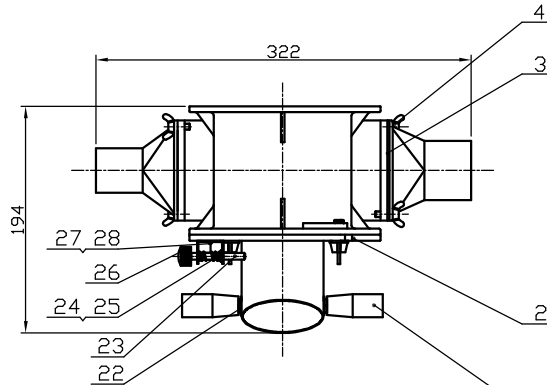
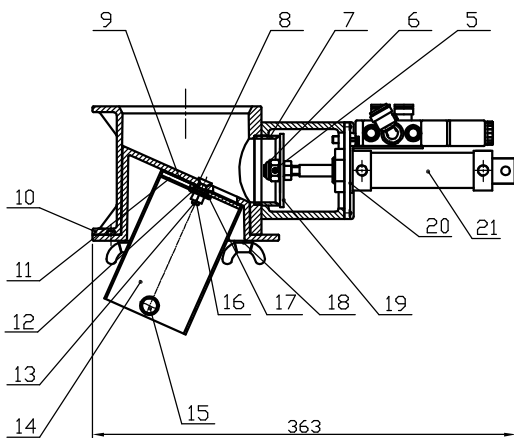
Title SD-120H		Drawing No. SD-120H-B-ALL		Scale 1:1	Number 1
Honeycomb Rotor				Material	
				Surface requirement	
				Material number	

**SHINI** 信易電熱機械股份有限公司  
Shini Plastics Technologies, Inc.



25	YW63040600000	Cross socket pan head screw GB/T-818 M4x6-Longzine		2	
24	YR20044800000	O-type seal ring $\phi 48 \times \phi 4$	Rubber	1	
23	YR20305000000	O-type seal ring $\phi 30 \times \phi 5$	Rubber	1	
22	YW80061800000	Adjustable air connector ASL6-1/8	Assembly	2	
21	YE31125010000	Cylinder MBL25x50-U(AIRTAC)		1	
20	SAL-910G-A-07	Solenoid valve fixed plate	SPCC1.2	1	
19	YE32421600100	Solenoid valve 4 V210-06 AC24V	Assembly	1	
18	YW63042500000	Cross socket pan head screw GB/T-818 M4x25-Longzine		2	
17	BR40230700010	Upper cover SCD-230U/120H-D-07	YL112	1	
16	BH10906000110	Height increased iron rod SAL-910G-A-06	Q235A	1	
15	YW80081800100	Air pipe connector APL8-1/8	Assembly	1	
14	YW80010800000	Silencer BSL-01	Assembly	2	
13	YW68005500000	Inner hex.flat end lock screw GB/T77 M5x5-Longzine		1	
12	YW80061800200	Air pipe connector APL6-1/8	Assembly	2	
11	BH13900700010	3-way valve connector SAL-910G-A-05	6061	1	
10	BL22900000320	Suction pipe 2 SAL-910G-A-04	SUS201	2	
9	SCD-230U/120H-D-06	3-way valve middle flange	SPH4.0	1	
8	BL22900000120	Suction pipe 1 SAL-910G-A-03	SUS201	1	
7	YR20258900000	O-type seal ring $\phi 89 \times \phi 2.5$ (ext. dia.)	Rubber	2	
6	BR10651200040	4-way diaphragm 65x12x8mm covered (has mould)	Assembly	1	
5	YW66103200000	Large washer A grade GB/T96 10(10.5x30x2.5)-Longzine		2	
4	YW64101100000	Hex. lock nut M10(Thickness: 11mm)		1	
3	BH10090000510	Valve 1 SAL-910G-A-01	YL112	1	
2	YW65006000000	Standard spring washer GB/T93 6-A2-70(SUS)		6	
1	YW61062000300	Inner hex. cylindrical screw GB/T70.1 M6x20-12.9-Longzine		6	
No.	Material number	Name	Mat.	Num.	Rem.

Draw.	Ver.	Title	Drawing no.	Scale	1:5	Num.	1
Desi.	App.	3-way Diaphragm valve	SCD-230U/120H-D-ALL		Mat.		
Check	by				Surface req.		
Mark	Before Mark	After Mod.	Modified by.	Date	App.	Date	20170206
				<b>信易電熱機械股份有限公司</b> <b>Shini Plastics Technologies, Inc.</b>		Mat No.	

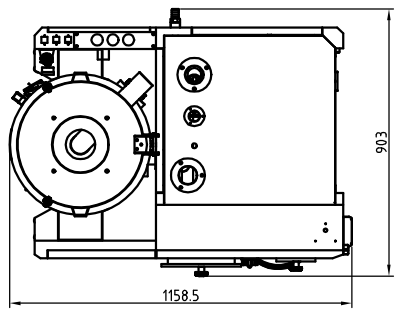
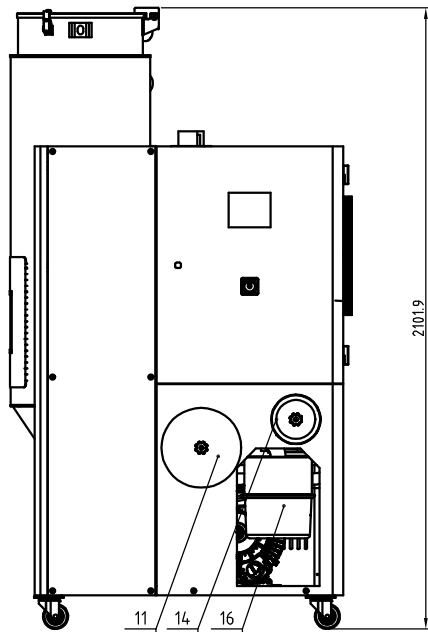
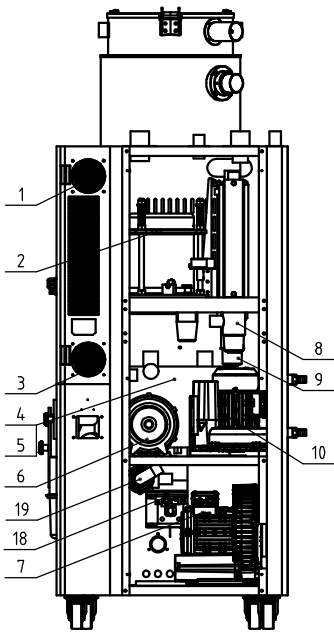


Tech. Req. :  
1.The clearance between the discharge port body and discharge port sleeve is 0.5mm;

36	YW69042000200	Cross socket pin head assembly screw GB/T 9074.4-M4x20-Longzine		1	
35	SBU-160-50S-V-A-01	Suction port	YL112	1	Borrowed
34	SBU-160-38S-V-A-03	Shut-off body	YL112	1	Borrowed
33	SBU-160-38S-V-A-10	Solenoid valve fixed block	SPCC2.0	1	Borrowed
32	YW63042500000	Cross socket pin head screw GB/T-818 M4x25-Longzine		2	
31	YE32421600000	Solenoid valve 4V210-06/AC220V AirTAC	Assembly	1	
30	YW69061500000	Butterfly bolt GB/T 3098 M6x15		2	
29	SBU-160-38S-V-A-05	Suction port	YL112	1	Borrowed
28	YW62040500000	Large socket pin head screw M4x5JIS1111 M4x5-Longzine		2	
27	SBU-160-38S-V-A-13	Positioning pin fixed base	SUS201	1	Borrowed
26	YW69461600000	Manual screw M4x6x16		1	
25	YW66000500000	E-type spring washer E5		1	
24	SBU-160-38S-V-A-14	Spring	Carbon spring steel wire	1	Borrowed
23	SBU-20-38S-V-A-04	Pin	Q235	1	
22	YW66081900000	Flat washer 8x19x2.0 Longzine		2	
21	YE31255000000	Cylinder MAL25x50-CA-PT(AirTAC)	Assembly	1	
20	SBU-160-38S-V-A-11	Cylinder fixed base	SUS201	1	Borrowed
19	SBU-160-38S-V-A-19	Diaphragm $\phi 63 \times \phi 10 \times 3$	SUS201	1	Borrowed
18	YW69081500000	Butterfly bolt GB/T 3098 M8x15		2	
17	YW66061200000	Flat washer A grade GB/T97.1 616.4x12x1.6-A2-70(SUS)		1	
16	YW64060401000	t-type full metal hex lock bolt GB/T6184 M6-A2-70(SUS)		1	
15	YW60081600100	Hex. head bolt GB/T5783 M8x16-12.9-Longzine		2	
14	SBU-20-38S-V-A-03	Discharge port sleeve	SUS201	1	
13	YW61062500500	Inner hex. countersunk screw GB/T70.3 M6x25-A2-70(SUS)		1	
12	YW66061800000	Large washer A grade GB/T96.1 6-Longzine		1	
11	SBU-20-38S-V-A-05	Hopper inner washer	SUS201	1	
10	SBU-20-38S-V-A-01	Collective body	YL112	1	
9	SBU-20-38S-V-A-06	Hopper bottom washer	SUS201	1	
8	YW66061300000	Flat washer A grade GB/T97.1 6-Longzine		2	
7	SBU-160-38S-V-A-09	Shut-off port	SUS201	1	Borrowed
6	BH10160009710	Anti-loose nut M10x1.25(M4 lock hole)SBU-160-38S-V-A-21	Assembly	1	
5	YW68004500000	Inner hex. flat head lock nut GB/T777 M4x5-Longzine		1	
4	YW69051500000	Butterfly bolt GB/T 3098-M5x15		4	
3	SBU-160-38S-V-A-07	Air replenishment fender	SUS201	1	Borrowed
2	SBU-20-38S-V-A-02	Discharge port	YL112	1	
1	YW06000100000	Cutter rotating rod (without rod) handle	Plastics	2	
No.	Material number	Name	Material	Number	Remarks

					Drawer	Version	Title	SBU-20-38S-V	Proportion	1:4	Number	1
					Designer	Approved by	Shut-off Suction Box	SBU-20-38S-V-A-ALL		Material	Assembly	
Mark	After modification	Before modification	Modified by	Modify date	Proofread by	Date	<b>信易電熱機械股份有限公司</b> <b>Shini Plastics Technologies, Inc.</b>		Surface requirement			
					Checked by				Material number			

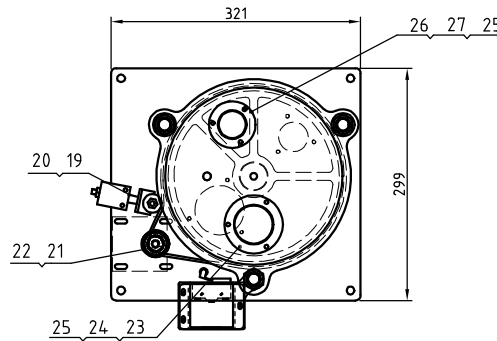
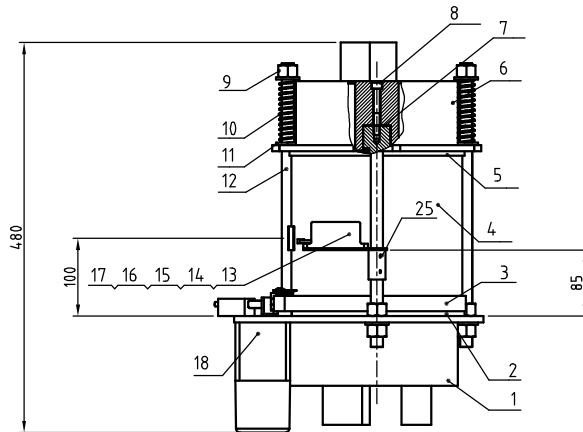




Conveying blower power	Regen. blower power	Drying blower power	Regen. heater power	Drying blower power	Dehumidifying air quantity	Insulated Hopper Capacity	Model version
1.5KW	0.18KW	0.75KW	3KW	4KW	80m <sup>3</sup> /hr	160L	Ver.F

No.	Material number	Name	Mat.	Num.	Remarks
19	SCD-230U120H-D-ALL	Three-way diaphragm valve	Assembly	1	
18	SBU-20-38S-V-A-ALL	Shut-off suction box	Assembly	1	
17	YR10080000300	Filter barrel fastener SAL-810G-A-03	Assembly	1	
16	YR50127000000	Filter ADC1 ext. 126xinner 70x H 254mm	Assembly	1	
15	YR50128300000	Filter ADC 18 fastener rubber	Assembly	1	
14	YW09675100000	Small nut 5/16	Assembly	2	
13	BR90120500010	Filter barrel cover SD-120H-ALL-05	PC	1	
12	YR10120400000	Filter barrel fastener SD-120H-ALL-04	Silica gel	1	
11	YR50708000200	Filter SAL-700/800G fastener rubber silica gel	Assembly	1	
10	BM30031000150	Shini blower RB-310	Assembly	1	
9	BH70150400050	Pipe heater for 4KW 3ø230V/400V	Assembly	1	
8	BH70183460000	Pipe heater for 3KW 3ø230V/400V	Assembly	1	
7	BM30042000050	Shini blower RB-420	Assembly	1	
6	YM30012900000	Hongsheng blower EHS-129I(1/4HP)	Assembly	1	
5	BE90342500050	Thermocouple STM (probe: 13 L: 2.5M) MY13	Assembly	1	
4	BW88080000020	Cooler SD-80H/120H-B-ALL (the side has hole)	Assembly	1	
3	YR40120300000	3-in-1 anti-dust plastic screen GRM120-30(12-12)	Plastics	1	
2	SD-120H-B-ALL	Honeycomb rotor	Assembly	1	
1	YM60121206400	Exhaust fan 12x120M/24VAC/5A/60HZ with plastic screen	Assembly	1	

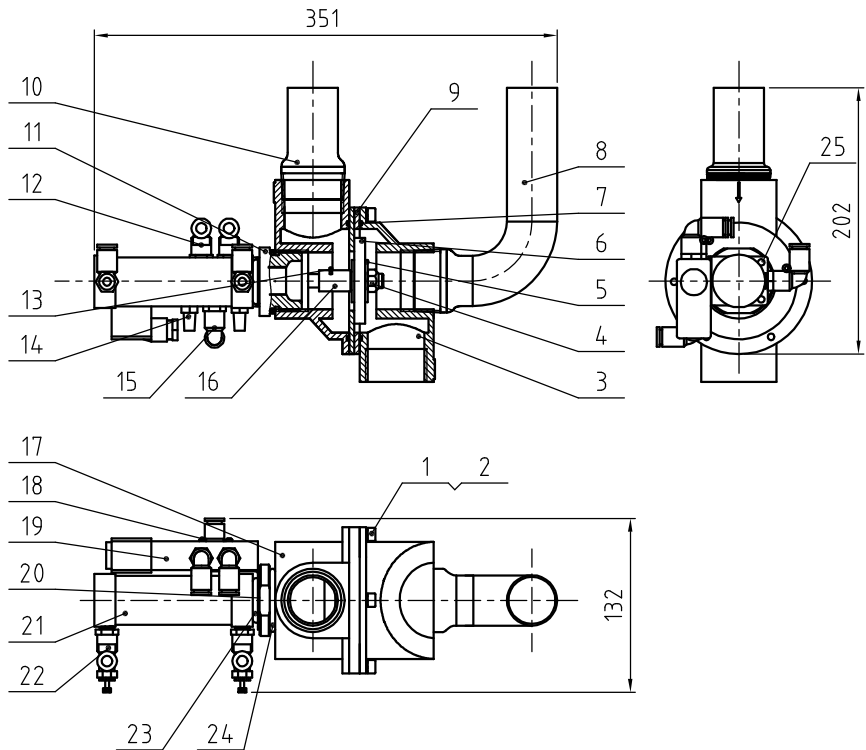
					Dra.	Ver.	Title	Drawing No.	Scale	Qty.
					Desi.	App. by	"All-in-One" Compact Dryer	SCD-80U/40H-ALL-A	1:15	1
					Check				Surface Req.	Mat.
Mark	Before Mod.	After Mod.	Mod. by	Date	App.	Date	<b>信易電熱機械股份有限公司</b> <b>Shini Plastics Technologies, Inc.</b>		Mat. No.	



27	SD-120H-B-01	1.5" air pipe flange	SUS201	3	
26	YR90001500200	1.5" flange washer	White silical gel	3	
25	YW62051000100	Cross socket flat head screw JIS111 M5x10-Longzine		15	
24	YR90000200000	2.0" flange washer	White silical gel	2	
23	SD-120H-B-02	2" air pipe flange	SUS201	2	
22	YW68004500000	Inner hex. flat end lock screw GB/T77 M4x5-Longzine		3	
21	YW08001000100	Synchronous belt SD-120H-B-05	4.5#	1	
20	YW63044500000	Cross socket pan head screw GB/T-818 M4x5-Longzine		2	
19	SD-400H-A-40	Belt regulator	Assembly	1	Borrow
18	YM50512600000	Gear motor 3K15GN-C-T	Assembly	1	
17	BL04402200020	Micro switch fixed plate SD-40H-A-22	SUS201	1	
16	YW63040600000	Cross socket pan head screw GB/T-818 M4x5-Longzine		3	
15	YW63032500000	Cross socket pan head screw GB/T-818 M3x25-Longzine		2	
14	YE14511200000	Limit switch YBLXW-5/11G2	Assembly	1	
13	YR40330900000	Micro switch box	ABS	1	
12	BH10533000010	Double head screw SD-40H-B-07	Q235A	3	galvanized
11	YW66163000000	Flat washer A grade GB/T197.116-Longzine		9	
10	YW01201800000	Spring SD-700H-B-07	70Mn	3	
9	YW64001600000	Hex. nut GB/T6170 M16-Longzine		9	
8	YW61086500000	Inner hex. cylinder screw GB/T7811 M6x5-12.9-Longzine		2	
7	SD-40H-B-05	Honeycomb mount shaft	4.5	2	Borrow
6	BA40012000110	Honeycomb upper cover SD-120H-B-03	AC4B	1	
5	YR10010000700	Silicone Teflon washer (upper)	Red silical gel + Teflon	1	
4	SD-120H-B-06	Honeycomb $\phi 220 \times 200L$	Full molecular sieve	1	
3	YR00203000000	Synchronous belt 28*300XL(perimeter: 762)	Assembly	1	
2	YR10010000900	Silicone Teflon washer (lower)	Red silical gel + Teflon	1	
1	BA40012000210	Honeycomb lower cover SD-120H-B-04	AC4B	1	
No.	Material number	Name	Material	Num.	Remarks

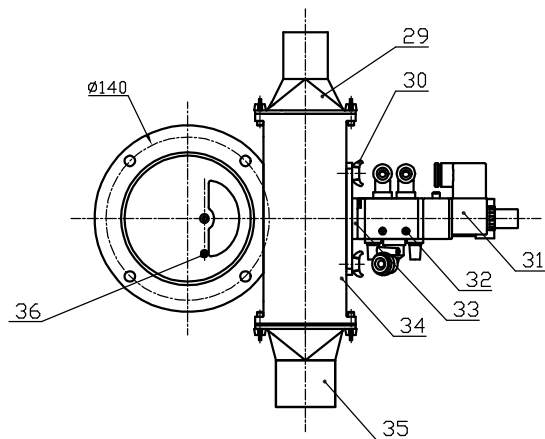
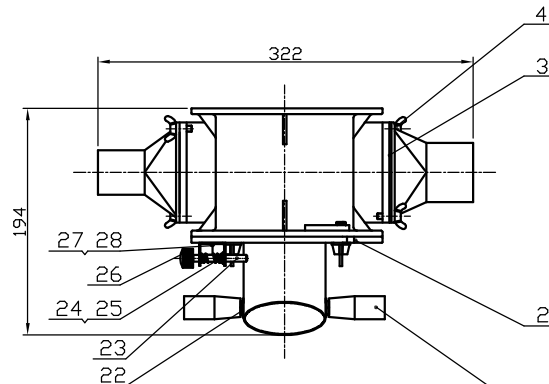
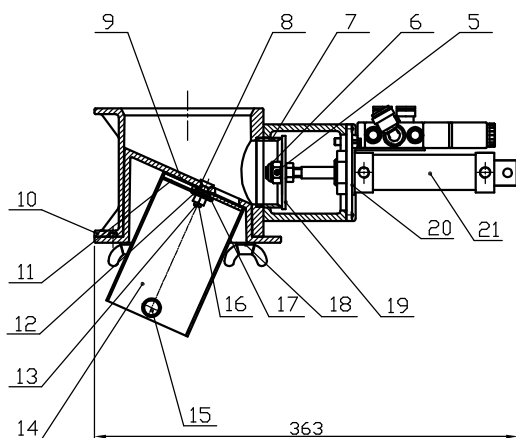
Mark	After modification	Before modification	Modified by	Modify date	Checked by	Date

Drawer	Version	Title	Drawing No.	Scale	Number
Designer	Approved by	SD-120H Honeycomb Rotor	SD-120H-B-ALL		
Proofread by		 信易電熱機械股份有限公司 Shini Plastics Technologies, Inc.		Surface requirement	Material
Checked by				Material number	



25	YW63040600000	Cross socket pan head screw GB/T-818 M4x6-Longzine		2	
24	YR20044800000	O-type seal ring $\phi 4.8 \times \phi 4$	Rubber	1	
23	YR20305000000	O-type seal ring $\phi 30 \times \phi 5$	Rubber	1	
22	YW80061800000	Adjustable air connector ASL6-1/8	Assembly	2	
21	YE31125010000	Cylinder MBL25x50-U(AIRTAC)		1	
20	SAL-910G-A-07	Solenoid valve fixed plate	SPCC1.2	1	
19	YE32421600100	Solenoid valve 4V210-06 AC24V	Assembly	1	
18	YW63042500000	Cross socket pan head screw GB/T-818 M4x25-Longzine		2	
17	BR40230700010	Upper cover SCD-230U/120H-D-07	YL112	1	
16	BH10906000110	Height increased iron rod SAL-910G-A-06	Q235A	1	
15	YW80081800100	Air pipe connector APL8-1/8	Assembly	1	
14	YW80010800000	Silencer BSL-01	Assembly	2	
13	YW68005500000	Inner hex.flat end lock screw GB/T77 M5x5-Longzine		1	
12	YW80061800200	Air pipe connector APL6-1/8	Assembly	2	
11	BH13900700010	3-way valve connector SAL-910G-A-05	6061	1	
10	BL22900000320	Suction pipe 2 SAL-910G-A-04	SUS201	2	
9	SCD-230U/120H-D-06	3-way valve middle flange	SPH4.0	1	
8	BL22900000120	Suction pipe 1 SAL-910G-A-03	SUS201	1	
7	YR20258900000	O-type seal ring $\phi 8.9 \times \phi 2.5$ (ext. dia.)	Rubber	2	
6	BR10651200040	4-way diaphragm 65x12x8mm covered (has mould)	Assembly	1	
5	YW66103200000	Large washer A grade GB/T96 10(10.5x30x2.5)-Longzine		2	
4	YW64101100000	Hex. lock nut M10(Thickness: 11mm)		1	
3	BH10090000510	Valve 1 SAL-910G-A-01	YL112	1	
2	YW65006000000	Standard spring washer GB/T93 6-A2-70(SUS)		6	
1	YW61062000300	Inner hex. cylindrical screw GB/T70.1 M6x20-12.9-Longzine		6	
No.	Material number	Name	Mat.	Num.	Rem.

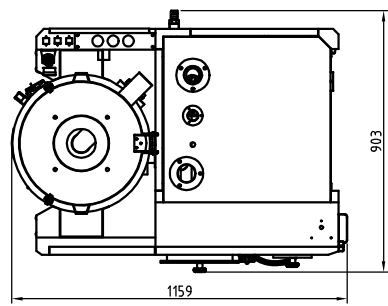
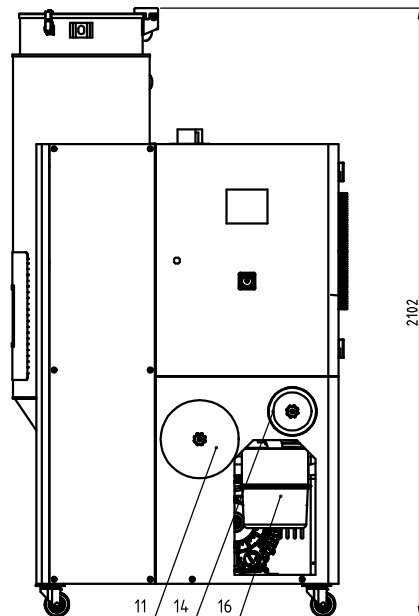
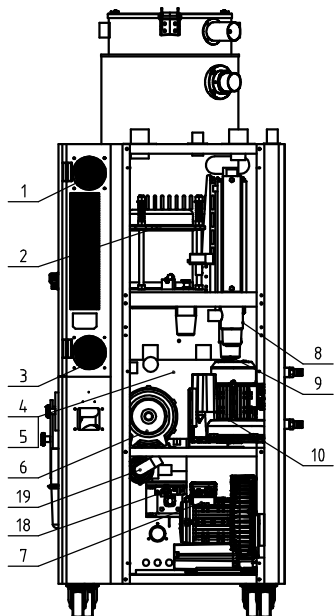
					Draw.	Ver.	Title	Drawing no.	Scale	1:5	Num	1
					Desi.	App.	3-way Diaphragm valve	SCD-230U/120H-D-ALL		Mat.		
					Check	by				Surface req		
Mark	Before Mark	After Mod.	Modified by.	Date	App.	Date	20170206	<b>信易電熱機械股份有限公司</b> <b>Shini Plastics Technologies, Inc.</b>	Mat No.			



Tech. Req. :  
 1.The clearance between the discharge port body and discharge port sleeve is 0.5mm;

36	YW69042000200	Cross socket pan head assembly screw GB/T 9974.4-M4x20-Longzine		1	
35	SBU-160-50S-V-A-01	Suction port	YL112	1	Borrowed
34	SBU-160-38S-V-A-03	Shut-off body	YL112	1	Borrowed
33	SBU-160-38S-V-A-10	Solenoid valve fixed block	SPCC2.0	1	Borrowed
32	YW63042500000	Cross socket pan head screw GB/T-818 M4x25-Longzine		2	
31	YE32421600000	Solenoid valve 4V210-06/AC220V AirTAC	Assembly	1	
30	YW69061500000	Butterfly bolt GB/T 3098 M6x15		2	
29	SBU-160-38S-V-A-05	Suction port	YL112	1	Borrowed
28	YW62040500000	Large socket pan head screw M4x5.5JIS1111 M4x5-Longzine		2	
27	SBU-160-38S-V-A-13	Positioning pin fixed base	SUS201	1	Borrowed
26	YW69461600000	Manual screw M4x6x16		1	
25	YW66000500000	E-type spring washer E5		1	
24	SBU-160-38S-V-A-14	Spring	Carbon spring steel wire	1	Borrowed
23	SBU-20-38S-V-A-04	Pin	Q235	1	
22	YW66081900000	Flat washer 8x19x2.0 Longzine		2	
21	YE31255000000	Cylinder MAL25x50-CA-PT(AirTAC)	Assembly	1	
20	SBU-160-38S-V-A-11	Cylinder fixed base	SUS201	1	
19	SBU-160-38S-V-A-19	Diaphragm $\phi 63 \times \phi 10 \times 3$	SUS201	1	Borrowed
18	YW69081500000	Butterfly bolt GB/T 3098 M8x15		2	
17	YW66061200000	Flat washer A grade GB/T97.1 616.4x12x1.6-A2-70(SUS)		1	
16	YW64060401000	I-type full metal hex lock bolt GB/T6184 M6-A2-70(SUS)		1	
15	YW60081600100	Hex. head bolt GB/T5783 M8x16-12.9-Longzine		2	
14	SBU-20-38S-V-A-03	Discharge port sleeve	SUS201	1	
13	YW61062500500	Inner hex. countersunk screw GB/T70.3 M6x25-A2-70(SUS)		1	
12	YW66061800000	Large washer A grade GB/T96.1 6-Longzine		1	
11	SBU-20-38S-V-A-05	Hopper inner washer	SUS201	1	
10	SBU-20-38S-V-A-01	Collective body	YL112	1	
9	SBU-20-38S-V-A-06	Hopper bottom washer	SUS201	1	
8	YW66061300000	Flat washer A grade GB/T97.1 6-Longzine		2	
7	SBU-160-38S-V-A-09	Shut-off port	SUS201	1	Borrowed
6	BH10160009710	Anti-loose nut M10x1.25(M4 lock hole)SBU-160-38S-V-A-21	Assembly	1	
5	YW68004500000	Inner hex. flat head lock nut GB/T777 M4x5-Longzine		1	
4	YW69051500000	Butterfly bolt GB/T 3098-M5x15		4	
3	SBU-160-38S-V-A-07	Air replenishment fender	SUS201	1	Borrowed
2	SBU-20-38S-V-A-02	Discharge port	YL112	1	
1	YW06000100000	Cutter rotating rod (without rod) handle	Plastics	2	
No.	Material number	Name	Material	Number	Remarks

Mark	After modification	Before modification	Modified by	Modify date	Checked by	Date	Drawer	Version	Title	SBU-20-38S-V	SBU-20-38S-V-A-ALL	Proportion	1:4	Number	1
							Designer	Approved by		Shut-off Suction Box				Material	Assembly
							Proofread by			信易電熱機械股份有限公司 Shini Plastics Technologies, Inc.		Surface requirement			
												Material number			

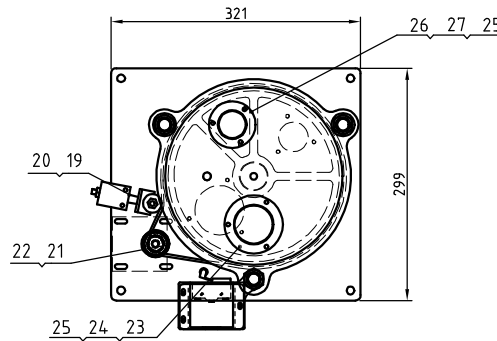
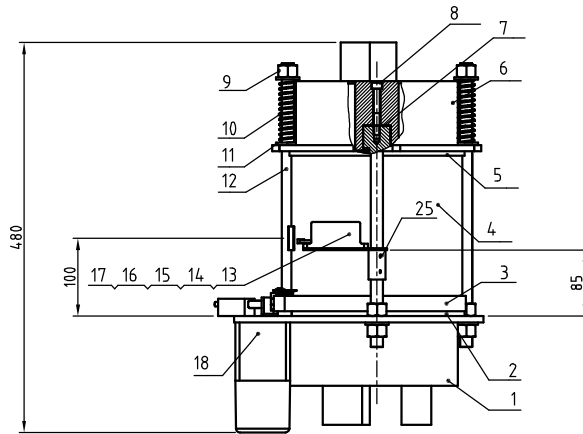


Conveying blower power	Regen. blower power	Drying blower power	Regen. heater power	Drying blower power	Dehumidifying air quantify	Insulated Hopper Capacity	Model version
1.5KW	0.18KW	0.75KW	4KW	6KW	120m3/hr	160L	Ver.F

No.	Material number	Name	Mat.	Num.	Remarks
19	SCD-230U120H-D-ALL	Three-way diaphragm valve	Assembly	1	
18	SBU-20-38S-V-A-ALL	Shut-off suction box	Assembly	1	
17	YR10080000300	Filter barrel fastener SAL-810G-A-03	Assembly	1	
16	YR50127000000	Filter ADC1 ext. 126xinner 70x H 254mm	Assembly	1	
15	YR50128300000	Filter ADC 18 fastener rubber	Assembly	1	
14	YW09675100000	Small nut 5/16	Assembly	2	
13	BR90120500010	Filter barrel cover SD-120H-ALL-05	PC	1	
12	YR101204.00000	Filter barrel fastener SD-120H-ALL-04	Silica gel	1	
11	YR50708000200	Filter SAL-700/800G fastener rubber silica gel	Assembly	1	
10	BM30031000150	Shini blower RB-310	Assembly	1	
9	BH70120600050	Pipe heater for 4KW 3ø230V/400V	Assembly	1	
8	BH701504.00050	Pipe heater for 3KW 3ø230V/400V	Assembly	1	
7	BM3004.2000050	Shini blower RB-420	Assembly	1	
6	YM30012900000	Hongsheng blower EHS-129(1V/4HP)	Assembly	1	
5	BE9034.2500050	Thermocouple STM (probe: 13 L: 25M) HY13	Assembly	1	
4	BW88080000020	Cooler SD-80H/120H-B-ALL (the side has hole)	Assembly	1	
3	YR4.0120300000	3-in-1 anti-dust plastic screen GRH120-30(12x12)	Plastics	1	
2	SD-120H-B-ALL	Honeycomb rotor	Assembly	1	
1	YM601212064.00	exhaust fan 12x12CM/24VAC/50/60HZ with plastic screen	Assembly	1	

					Dra.		Ver.	0	Title	SCD-160U/120H	Drawing No.		Scale	1:15	Qty.	1
					Desi.		App. by			"All-in-One" Compact Dryer	SCD-160U/120H-ALL					
					Check											
Mark	Before Mod.	After Mod.	Mod. by	Date	App.		Date	2016					Surface Req			

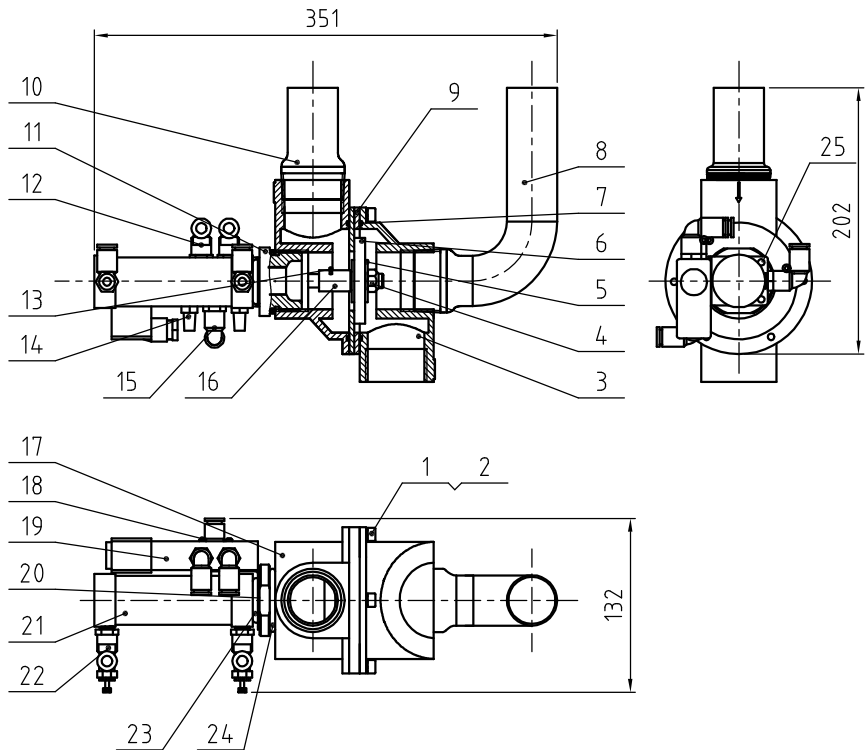




27	SD-120H-B-01	1.5" air pipe flange	SUS201	3	
26	YR90001500200	1.5" flange washer	White silical gel	3	
25	YW62051000100	Cross socket flat head screw JIS111 M5x10-Longzine		15	
24	YR90000200000	2.0" flange washer	White silical gel	2	
23	SD-120H-B-02	2" air pipe flange	SUS201	2	
22	YW68004500000	Inner hex. flat end lock screw GB/T77 M4x5-Longzine		3	
21	YW08001000100	Synchronous belt SD-120H-B-05	4.5#	1	
20	YW63044500000	Cross socket pan head screw GB/T-818 M4x5-Longzine		2	
19	SD-400H-A-40	Belt regulator	Assembly	1	Borrow
18	YM50512600000	Gear motor 3K15GN-C-T	Assembly	1	
17	BL04402200020	Micro switch fixed plate SD-40H-A-22	SUS201	1	
16	YW63040600000	Cross socket pan head screw GB/T-818 M4x5-Longzine		3	
15	YW63032500000	Cross socket pan head screw GB/T-818 M3x25-Longzine		2	
14	YE14511200000	Limit switch YBLXW-5/11G2	Assembly	1	
13	YR40330900000	Micro switch box	ABS	1	
12	BH10533000010	Double head screw SD-40H-B-07	Q235A	3	galvanized
11	YW66163000000	Flat washer A grade GB/T197.116-Longzine		9	
10	YW01201800000	Spring SD-700H-B-07	70Mn	3	
9	YW64001600000	Hex. nut GB/T6170 M16-Longzine		9	
8	YW61086500000	Inner hex. cylinder screw GB/T7811 M6x5-12.9-Longzine		2	
7	SD-40H-B-05	Honeycomb mount shaft	4.5	2	Borrow
6	BA40012000110	Honeycomb upper cover SD-120H-B-03	AC4B	1	
5	YR10010000700	Silicone Teflon washer (upper)	Red silical gel + Teflon	1	
4	SD-120H-B-06	Honeycomb $\phi 220 \times 200L$	Full molecular sieve	1	
3	YR00203000000	Synchronous belt 28-300XL(perimeter: 762)	Assembly	1	
2	YR10010000900	Silicone Teflon washer (lower)	Red silical gel + Teflon	1	
1	BA40012000210	Honeycomb lower cover SD-120H-B-04	AC4B	1	
No.	Material number	Name	Material	Num.	Remarks

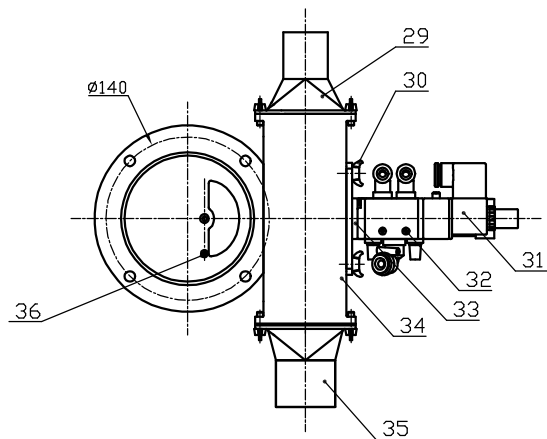
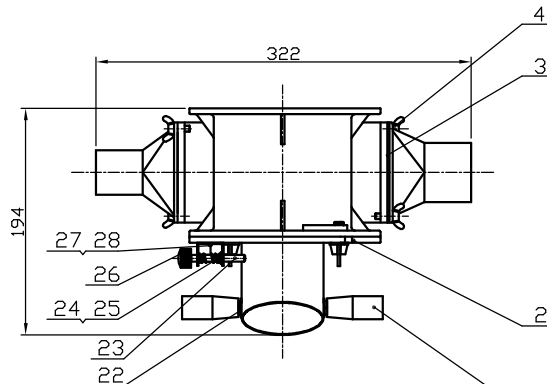
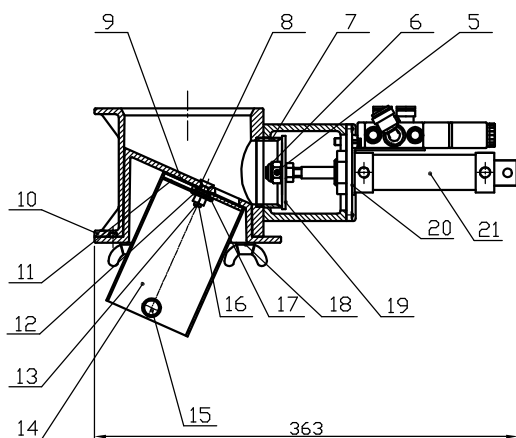
Mark	After modification	Before modification	Modified by	Modify date	Checked by	Version	Date
						Designer	
						Proofread by	
						Approved by	

Title	SD-120H	Drawing No.	SD-120H-B-ALL	Scale	1:1	Number	1
Honeycomb Rotor				Material			
SHINI 信易電熱機械股份有限公司 Shini Plastics Technologies, Inc.				Surface requirement			
				Material number			



25	YW63040600000	Cross socket pan head screw GB/T-818 M4x6-Longzine		2	
24	YR20044800000	O-type seal ring $\phi 4.8 \times \phi 4$	Rubber	1	
23	YR20305000000	O-type seal ring $\phi 30 \times \phi 5$	Rubber	1	
22	YW80061800000	Adjustable air connector ASL6-1/8	Assembly	2	
21	YE31125010000	Cylinder MBL25x50-U(AIRTAC)		1	
20	SAL-910G-A-07	Solenoid valve fixed plate	SPCC1.2	1	
19	YE32421600100	Solenoid valve 4V210-06 AC24V	Assembly	1	
18	YW63042500000	Cross socket pan head screw GB/T-818 M4x25-Longzine		2	
17	BR40230700010	Upper cover SCD-230U/120H-D-07	YL112	1	
16	BH10906000110	Height increased iron rod SAL-910G-A-06	Q235A	1	
15	YW80081800100	Air pipe connector APL8-1/8	Assembly	1	
14	YW80010800000	Silencer BSL-01	Assembly	2	
13	YW68005500000	Inner hex.flat end lock screw GB/T77 M5x5-Longzine		1	
12	YW80061800200	Air pipe connector APL6-1/8	Assembly	2	
11	BH13900700010	3-way valve connector SAL-910G-A-05	6061	1	
10	BL22900000320	Suction pipe 2 SAL-910G-A-04	SUS201	2	
9	SCD-230U/120H-D-06	3-way valve middle flange	SPH4.0	1	
8	BL22900000120	Suction pipe 1 SAL-910G-A-03	SUS201	1	
7	YR20258900000	O-type seal ring $\phi 89 \times \phi 2.5$ (ext. dia.)	Rubber	2	
6	BR10651200040	4-way diaphragm 65x12x8mm covered (has mould)	Assembly	1	
5	YW66103200000	Large washer A grade GB/T96 10(10.5x30x2.5)-Longzine		2	
4	YW64101100000	Hex. lock nut M10(Thickness: 11mm)		1	
3	BH10090000510	Valve 1 SAL-910G-A-01	YL112	1	
2	YW65006000000	Standard spring washer GB/T93 6-A2-70(SUS)		6	
1	YW61062000300	Inner hex. cylindrical screw GB/T70.1 M6x20-12.9-Longzine		6	
No.	Material number	Name	Mat.	Num	Rem

Draw.	Ver.	Title	Drawing no.	Scale	1:5	Num.	1
Desi.	App. by	3-way Diaphragm valve	SCD-230U/120H-D-ALL		Mat.		
Check	by				Surface req.		
Mark	Before Mark	After Mod.	Modified by	Date	App.	Date	20170206
				<b>信易電熱機械股份有限公司</b> <b>Shini Plastics Technologies, Inc.</b>		Mat No.	



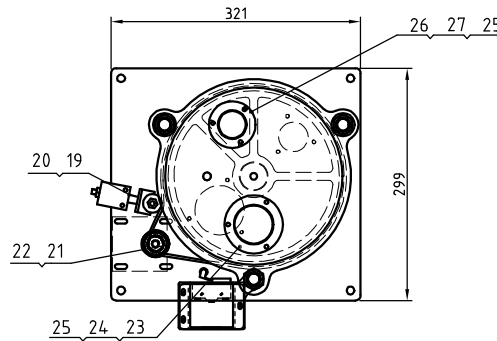
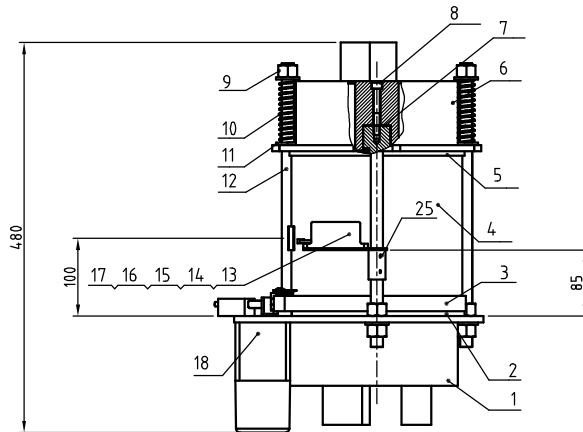
Tech. Req. :  
1.The clearance between the discharge port body and discharge port sleeve is 0.5mm;

36	YW69042000200	Cross socket pan head assembly screw GB/T 9974.4-M4x20-Longzine		1	
35	SBU-160-50S-V-A-01	Suction port	YL112	1	Borrowed
34	SBU-160-38S-V-A-03	Shut-off body	YL112	1	Borrowed
33	SBU-160-38S-V-A-10	Solenoid valve fixed block	SPCC2.0	1	Borrowed
32	YW63042500000	Cross socket pan head screw GB/T-818 M4x25-Longzine		2	
31	YE32421600000	Solenoid valve 4V210-06/AC220V AirTAC	Assembly	1	
30	YW69061500000	Butterfly bolt GB/T 3098 M6x15		2	
29	SBU-160-38S-V-A-05	Suction port	YL112	1	Borrowed
28	YW62040500000	Large socket pan head screw M4x5 JIS1111 M4x5-Longzine		2	
27	SBU-160-38S-V-A-13	Positioning pin fixed base	SUS201	1	Borrowed
26	YW69461600000	Manual screw M4x6x16		1	
25	YW66000500000	E-type spring washer E5		1	
24	SBU-160-38S-V-A-14	Spring	Carbon spring steel wire	1	Borrowed
23	SBU-20-38S-V-A-04	Pin	Q235	1	
22	YW66081900000	Flat washer 8x19x2.0 Longzine		2	
21	YE31255000000	Cylinder MAL25x50-CA-PT(AirTAC)	Assembly	1	
20	SBU-160-38S-V-A-11	Cylinder fixed base	SUS201	1	
19	SBU-160-38S-V-A-19	Diaphragm 63x610x3	SUS201	1	Borrowed
18	YW69081500000	Butterfly bolt GB/T 3098 M8x15		2	
17	YW66061200000	Flat washer A grade GB/T97.1 616.4x12x1.61-A2-70(SUS)		1	
16	YW64060401000	I-type full metal hex lock bolt GB/T6184 M6-A2-70(SUS)		1	
15	YW60081600100	Hex. head bolt GB/T5783 M8x16-12.9-Longzine		2	
14	SBU-20-38S-V-A-03	Discharge port sleeve	SUS201	1	
13	YW61062500500	Inner hex. countersunk screw GB/T70.3 M6x25-A2-70(SUS)		1	
12	YW66061800000	Large washer A grade GB/T96.1 6-Longzine		1	
11	SBU-20-38S-V-A-05	Hopper inner washer	SUS201	1	
10	SBU-20-38S-V-A-01	Collective body	YL112	1	
9	SBU-20-38S-V-A-06	Hopper bottom washer	SUS201	1	
8	YW66061300000	Flat washer A grade GB/T97.1 6-Longzine		2	
7	SBU-160-38S-V-A-09	Shut-off port	SUS201	1	Borrowed
6	BH10160009710	Anti-loose nut M10x125(M4 lock hole)SBU-160-38S-V-A-2	Assembly	1	
5	YW68004500000	Inner hex. flat head lock nut GB/T777 M4x5-Longzine		1	
4	YW69051500000	Butterfly bolt GB/T 3098-M5x15		4	
3	SBU-160-38S-V-A-07	Air replenishment fender	SUS201	1	Borrowed
2	SBU-20-38S-V-A-02	Discharge port	YL112	1	
1	YW06000100000	Cutter rotating rod (without rod) handle	Plastics	2	
No.	Material number	Name	Material	Number	Remark

					Drawer	Version	Title		Proportion	1:4	Number	1
					Designer	Approved by	SBU-20-38S-V	SBU-20-38S-V-A-ALL			Material	Assembly
					Proofread by	Date	Shut-off Suction Box			Material number		
Mark	After modification	Before modification	Modified by	Modify date	Checked by		<b>信易電熱機械股份有限公司</b> <b>Shini Plastics Technologies, Inc.</b>					



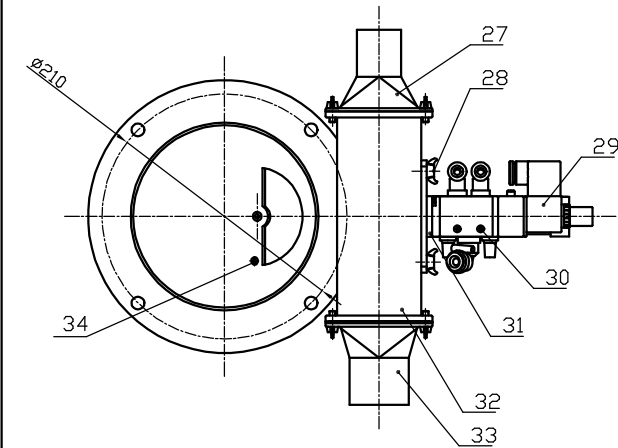
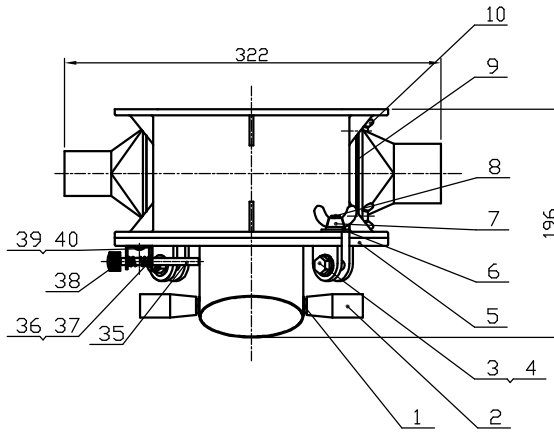
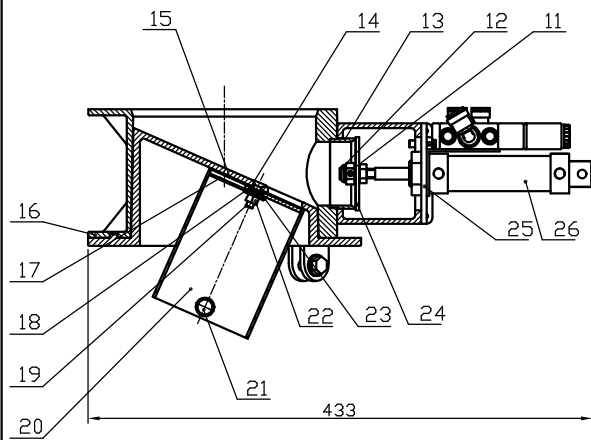




27	SD-120H-B-01	1.5" air pipe flange	SUS201	3	
26	YR90001500200	1.5" flange washer	White silical gel	3	
25	YW62051000100	Cross socket flat head screw JIS111 M5x10-Longzine		15	
24	YR90000200000	2.0" flange washer	White silical gel	2	
23	SD-120H-B-02	2" air pipe flange	SUS201	2	
22	YW68004500000	Inner hex. flat end lock screw GB/T77 M4x5-Longzine		3	
21	YW08001000100	Synchronous belt SD-120H-B-05	4.5#	1	
20	YW63044500000	Cross socket pan head screw GB/T-818 M4x5-Longzine		2	
19	SD-400H-A-40	Belt regulator	Assembly	1	Borrow
18	YM50512600000	Gear motor 3K15GN-C-T	Assembly	1	
17	BL04402200020	Micro switch fixed plate SD-40H-A-22	SUS201	1	
16	YW63040600000	Cross socket pan head screw GB/T-818 M4x5-Longzine		3	
15	YW63032500000	Cross socket pan head screw GB/T-818 M3x25-Longzine		2	
14	YE14511200000	Limit switch YBLXW-5/11G2	Assembly	1	
13	YR40330900000	Micro switch box	ABS	1	
12	BH10533000010	Double head screw SD-40H-B-07	Q235A	3	galvanized
11	YW66163000000	Flat washer A grade GB/T197.116-Longzine		9	
10	YW01201800000	Spring SD-700H-B-07	70Mn	3	
9	YW64001600000	Hex. nut GB/T6170 M16-Longzine		9	
8	YW61086500000	Inner hex. cylinder screw GB/T781 M8x5-12.9-Longzine		2	
7	SD-40H-B-05	Honeycomb mount shaft	4.5	2	Borrow
6	BA40012000110	Honeycomb upper cover SD-120H-B-03	AC4B	1	
5	YR10010000700	Silicone Teflon washer (upper)	Red silical gel + Teflon	1	
4	SD-120H-B-06	Honeycomb $\phi 220 \times 200L$	Full molecular sieve	1	
3	YR00203000000	Synchronous belt 28-300XL(perimeter: 762)	Assembly	1	
2	YR10010000900	Silicone Teflon washer (lower)	Red silical gel + Teflon	1	
1	BA40012000210	Honeycomb lower cover SD-120H-B-04	AC4B	1	
No.	Material number	Name	Material	Num.	Remarks

Mark	After modification	Before modification	Modified by	Modify date	Checked by	Version

Drawer	Version	Title	Drawing No.	Scale	16	Number	1
Designer	Approved by	Honeycomb Rotor	SD-120H-B-ALL				
Proofread by	Date	信易電熱機械股份有限公司 Shini Plastics Technologies, Inc.					
Material number				Material number			



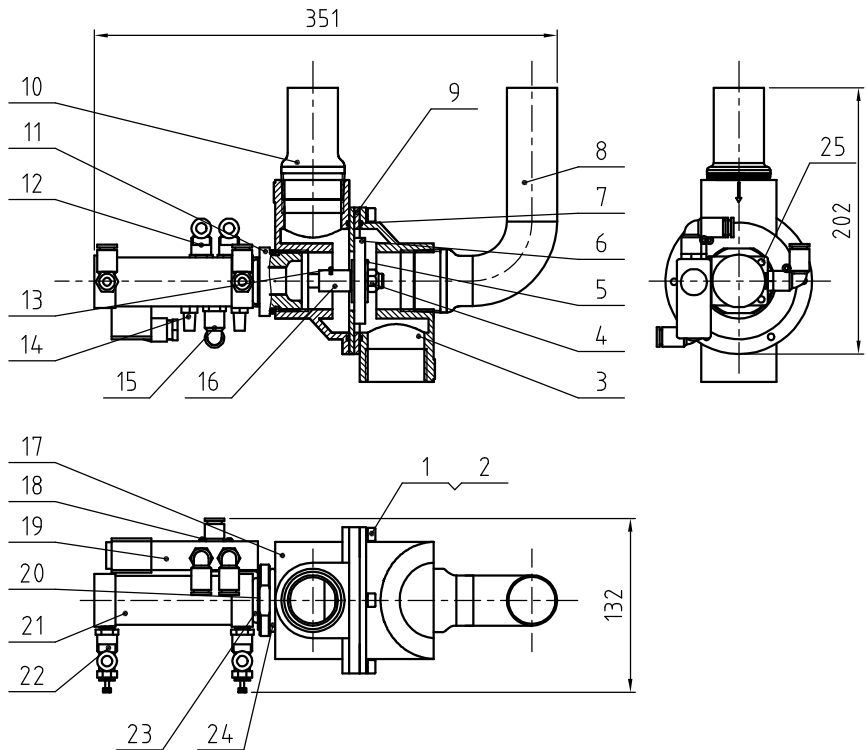
Tech. Req. :  
1.The clearance between the discharge port body and discharge port sleeve is 0.5mm;

40	YW62040500000	Large socket pan head screw M4×5JIS1111 M4×5-Longzine		2	
39	SBU-160-38S-V-A-13	Positioning pin fixed base	SUS201	1	
38	YW69461600000	Manual screw M4×6×16		1	
37	YW66000500000	E-type spring washer E5		1	
36	SBU-160-38S-V-A-14	Spring	65Mn	1	
35	SBU-160-38S-V-A-15	Pin	Q235	1	
34	YW69042000200	Cross socket pan head assembly screw GB/T 9074.4-M4x20-Longzine		1	
33	SBU-160-50S-V-A-01	Suction port	YL112	1	Borrowed
32	SBU-160-38S-V-A-03	Shut-off body	YL112	1	
31	SBU-160-38S-V-A-10	Solenoid valve fixed block	SPCC2.0	1	
30	YW63042500000	Cross socket pan head screw GB/T-818 M4×25-Longzine		2	
29	YE32421600000	Solenoid valve 4V210-06/AC220V AirTAC	Assembly	1	
28	YW69061500000	Butterfly bolt GB/T 3098 M6x15		2	
27	SBU-160-38S-V-A-05	Suction port	YL112	1	
26	YE31255000000	Cylinder MAL25×50-CA-PT(AirTAC)	Assembly	1	
25	SBU-160-38S-V-A-11	Cylinder fixed piece	SUS201	1	
24	SBU-160-38S-V-A-19	Diaphragm $\varnothing 63 \times \varnothing 10 \times 3$	SUS201	1	
23	YW66061200000	Flat washer A grade GB/T97.1 6(6.4x12x1.6)-A2-70(SUS)		1	
22	YW64060401000	1-type full metal hex lock nut GB/T6184 M6-A2-70(SUS)		1	
21	YW60081600100	Hex. head bolt GB/T5783 M8x16-12.9-Longzine		2	
20	SBU-160-38S-V-A-04	Discharge port sleeve	SUS201	1	
19	YW61062500500	Inner hex. countersunk screw GB/T70.3 M6x25-A2-70(SUS)		1	
18	YW66061800000	Large washer A grade GB/T96.1 6-Longzine		1	
17	SBU-160-38S-V-A-17	Hopper inner washer	SUS201	1	
16	SBU-160-38S-V-A-01	Collective body	YL112	1	
15	SBU-160-38S-V-A-18	Hopper bottom washer	SUS201	1	
14	YW66061300000	Flat washer A grade GB/T97.1 6-Longzine		2	
13	SBU-160-38S-V-A-09	Shut-off port	SUS201	1	
12	BH10160009710	Anti-loose nut M10×1.25(M4 lock hole)SBU-160-38S-V-A-21	Assembly	1	
11	YW68004500000	Inner hex. flat head lock nut GB/T777 M4×5-Longzine		1	
10	YW69051500000	Butterfly bolt GB/T 3098-M5x15		4	
9	SBU-160-38S-V-A-07	Air replenishment fender	SUS201	1	
8	YW09051600100	Star screw 5/16(SBU-160-38S-V-22)		2	
7	YW69051600000	Butterfly cap $\frac{1}{8}$ "		2	
6	YW66081900000	Flat washer 8x19x2.0 Longzine		6	
5	SBU-160-38S-V-A-02	Discharge port body	YL112	1	
4	YW64080600000	Hex. nut GB/T6170 M8-Longzine		2	
3	YW60083000100	Hex. bolt GB/T5783 M8x30-8.8-Longzine		2	
2	YW60001000000	Cutter rotating rod (without rod) handle	Plastics	2	
1	YW66081900000	Flat washer 8x19x2.0 Longzine		2	
No.	Material number	Name	Material	Number	Remarks

Mark	After modification	Before modification	Modified by	Modify date	Checked by	Date

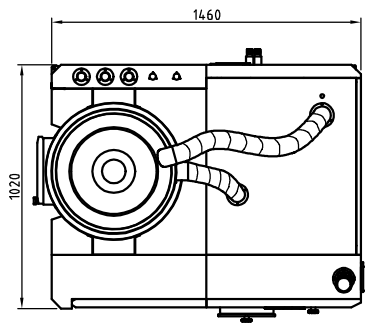
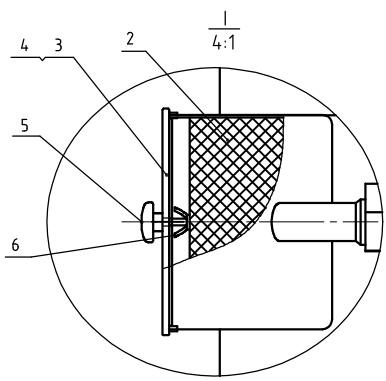
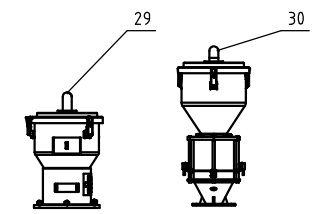
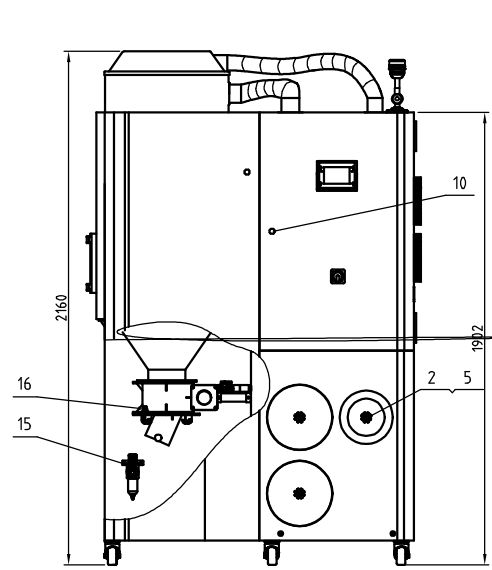
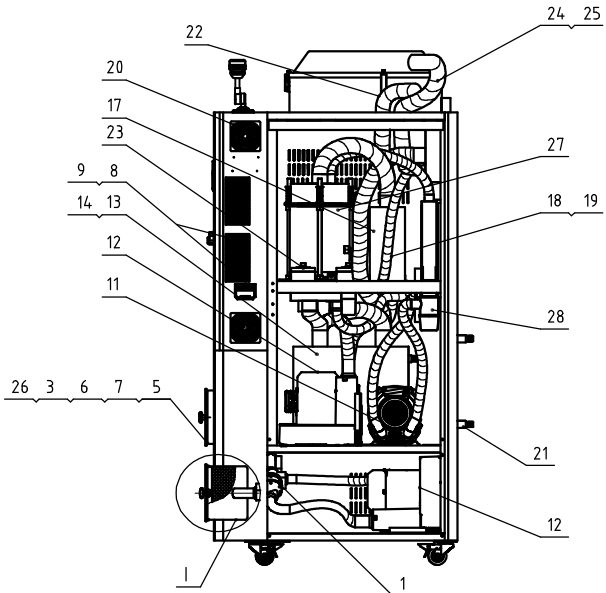
Title	SBU-160-38S-V Shut-off Suction Box	SBU-160-38S-V-A-ALL	Property	1:4	Number	1
			Material	Assembly		
			Surface requirement			
			Material number			

**SHINI** 信易電熱機械股份有限公司  
Shini Plastics Technologies, Inc.



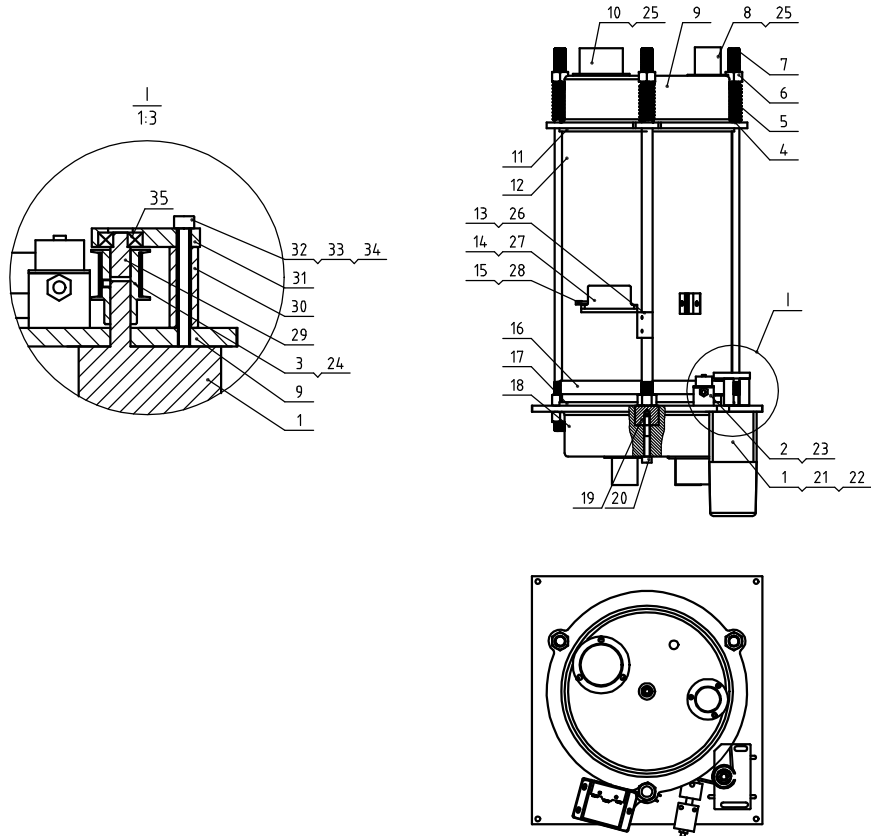
25	YW63040600000	Cross socket pan head screw GB/T-818 M4x6-Longzine		2	
24	YR20044800000	O-type seal ring $\phi 48 \times \phi 4$	Rubber	1	
23	YR20305000000	O-type seal ring $\phi 30 \times \phi 5$	Rubber	1	
22	YW80061800000	Adjustable air connector ASL6-1/8	Assembly	2	
21	YE31125010000	Cylinder MBL25x50-U(AIRTAC)		1	
20	SAL-910G-A-07	Solenoid valve fixed plate	SPCC1.2	1	
19	YE32421600100	Solenoid valve 4V210-06 AC24V	Assembly	1	
18	YW63042500000	Cross socket pan head screw GB/T-818 M4x25-Longzine		2	
17	BR40230700010	Upper cover SCD-230U/120H-D-07	YL112	1	
16	BH10906000110	Height increased iron rod SAL-910G-A-06	Q235A	1	
15	YW80081800100	Air pipe connector APL8-1/8	Assembly	1	
14	YW80010800000	Silencer BSL-01	Assembly	2	
13	YW68005500000	Inner hex.flat end lock screw GB/T77 M5x5-Longzine		1	
12	YW80061800200	Air pipe connector APL6-1/8	Assembly	2	
11	BH13900700010	3-way valve connector SAL-910G-A-05	6061	1	
10	BL22900000320	Suction pipe 2 SAL-910G-A-04	SUS201	2	
9	SCD-230U/120H-D-06	3-way valve middle flange	SPH4.0	1	
8	BL22900000120	Suction pipe 1 SAL-910G-A-03	SUS201	1	
7	YR20258900000	O-type seal ring $\phi 89 \times \phi 2.5$ (ext. dia.)	Rubber	2	
6	BR10651200040	4-way diaphragm 65x12x8mm covered (has mould)	Assembly	1	
5	YW66103200000	Large washer A grade GB/T96 10(10.5x30x2.5)-Longzine		2	
4	YW64101100000	Hex. lock nut M10(Thickness: 11mm)		1	
3	BH10090000510	Valve 1 SAL-910G-A-01	YL112	1	
2	YW65006000000	Standard spring washer GB/T93 6-A2-70(SUS)		6	
1	YW61062000300	Inner hex. cylindrical screw GB/T70.1 M6x20-12.9-Longzine		6	
No.	Material number	Name	Mat.	Num	Rem.

					Draw.		Ver.		Title	SCD-230U/120H	Drawing no.	SCD-230U/120H-D-ALL	Scale	1:5	Num.	1
					Desi.		App.			3-way Diaphragm valve					Mat.	
					Check		by						Surface req.			
Mark	Before Mark	After Mod.	Modified by	Date	App.		Date			信易電熱機械股份有限公司	Shini Plastics Technologies, Inc.	Mat No.				



No.	Material number	Name	Mat.	Num.	Remarks
30	BY20001202350	Standard photosensor hopper receiver S	Assembly	1	
29	BY20012004350	Vacuum hopper receiver SHR-12U	Assembly	1	
28	BH701504.00050	Pipe heater 4KW 3ø230V/400V shared	Assembly	1	
27	SD-200H-B-ALL	Honeycomb assembly	Assembly	1	
26	YR50203000100	Filter (SD-200/300)	Assembly	1	return air filter
25	YW02000300000	Stainless steel pipe clamp 3"	SUS201	8	
24	YW72253600000	Heat resistant air pipe 2.5"	Assembly	4	
23	BH90115000050	EGO assembly	Assembly	2	
22	BW72929500010	Heat insulated resistant hot air pipe ø92X950	Assembly	1	
21	BH122234.00010	Copper insert M23x3/4"	H62	2	
20	YM60121206400	Exhaust pipe 12x12	Assembly	1	
19	YW02000200000	Stainless steel pipe clamp 2"	SUS201	12	
18	YW72153600000	Heat resistant air pipe 1.5"	Assembly	6	
17	BH70124.000550	Pipe heater 12KW/SCD-300U/200H-B-04-3ø230V/400V		1	
16	SBU-160-38S-V-A-ALL	Shut-off suction box	Assembly	1	
15	YE30200020000	Filter & pressure regulating valve (AFR-2000)	Assembly	1	
14	BL03154.04.0120	Cooler(SD-150/200H)	Assembly	1	hole on side
13	BW88152000020	Cooler(SD-150/200H)	Assembly	1	hole on side
12	BM3004.2000050	Shini blower RB-420(2HP)	Assembly	2	hole
11	BM30020500050	Shini blower RB-205(1/2HP)	Assembly	1	
10	YW00816100000	Door lock (MS816-1)	Assembly	2	
9	YW90120700000	Alu. cooler STM-1207HT-A-17 (black)	AL6061	2	
8	YR4.004.8500000	Shell RS48(S)AL-700G-A-19J0	ABS+PC	1	
7	YR101204.00000	SD-120H-ALL-04-0 filter barrel fastener	Silica gel	1	per return air filter
6	YW69051600000	Small nut 5/16"		2	
5	YW09675100000	Small nut 3/8"		3	
4	YR10708000100	Filter barrel fastener 700/800G	Rubber	1	
3	BR90120500010	Filter barrel cover	PC	2	
2	YR50708000100	Filter (SAL 700/800G)	Assembly	2	
1	SCD-230U/120H-D-ALL	Three-way diaphragm valve		1	

制图	版号	标题	图号	比例	数量
设计	核准	SCD-300U/200H 欧化除湿干燥送料组合	SCD-300U/200H-ALL	1:18	1
校对	日期	信易电热机械股份有限公司 Shini Plastics Technologies, Inc.		表面要求	材质
标记	更改前			更改后	更改人



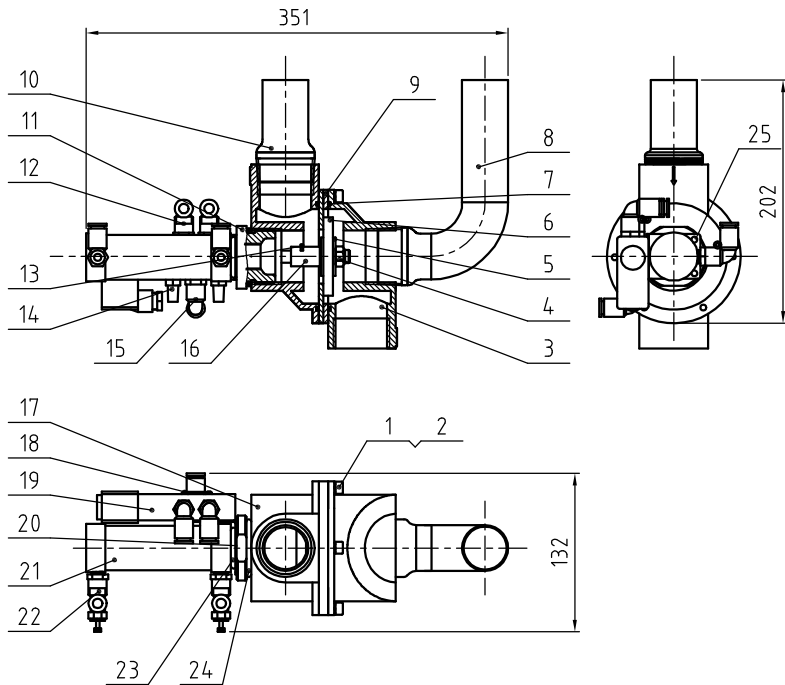
Tech. Req:

- 1.The red silica gel side of the part No.11 should be bonded with part No.18 with high temp. silica gel, and the red silica gel side of the part No.17 should be bonded with part No.9 with high temp. silica gel.
- 2.The joints of No. 8, No. 10 and No. 11 and No. 18 are bonded high temp. silica gel to prevent air leakage;
- 3.Adjust the position of part No. 2 on site to make part No. 16 in tension;
- 4.The compression value of part No.5 is 15.

35	YW11062700000	Bearing 627	Assembly	1	
34	YW66061300000	Flat washer A grade GB/T191.1 66.6x12x1.6-- Longzine		3	
33	YW65006000100	Standard spring washer GB/T193.6-Longzine		3	
32	YW61066500000	Inner hex. cylindrical screw GB/T171.1M6x5-A2-70full thread		3	
31	SD-200H-B-05	Gear motor fixed plate	6061	1	
30	SD-200H-B-04	Positioning pipe 40mm	6061	3	
29	BH33702300010	Fixing shaft SD-700H-B-23	SUS201	1	
28	YW63032500000	Cross socket pan head screw GB/T 498 Mx25-Longzine		2	
27	YW6304.0600000	Cross socket pan head screw GB/T 498 Mx4-Longzine		3	
26	YW68004.5000000	Inner hex. flat end lock screw GB/T77 Mx5-Longzine		2	
25	YW62051000100	Large cross socket pan head screw J5811 Mx8-Longzine		15	
24	YW6804.1000000	Inner hex. flat end lock screw GB/T77 Mx10-Longzine		1	
23	YW6304.4500000	Cross socket pan head screw GB/T 498 Mx25-Longzine		2	
22	YW64000500000	Non-metal insert hex. lock nut GB/T889.1 M5		4	
21	YW61059500000	Inner hex. cylindrical screw GB/T70.1 M5x9.5-2.9-Longzine		4	
20	YW61086500000	Inner hex. cylindrical screw GB/T70.1 M5x5-2.9-Longzine		2	
19	BH11101300010	Honeycomb mount shaft	45	2	borrow
18	BA4.0152000110	Honeycomb upper cover	ZL101	1	
17	YR10152000000	Silical gel Teflon washer (lower)	Red silical gel Teflon	1	
16	YR002034.00000	Synchronous belt 20x34.0XL	Assembly	1	
15	YE14.511200000	Limit switch YBLXW-5/1IG2	Assembly	1	
14	YR4.03309000000	Micro switch box	ABS	1	
13	BL04.402200020	Micro switch fixed piece SD-40H-A-22	SUS201	1	borrow
12	YW71025000700	Honeycomb φ250x400	Full silical gel	1	
11	YR10152000100	Silical gel Teflon washer (upper)	Red silical gel Teflon	1	
10	SD-200H-A-35	2.5" flange	SUS201	2	borrow
9	BA4.0200100310	Honeycomb lower cover	ZL101	1	borrow
8	SD-200H-A-39	1.5" upper & lower cover flange	SUS201	3	
7	BH11100000210	Double head screw SD-1000H-B-11	SUS200	3	borrow
6	YW64.001600000	Hex nut GB/T6170 M16-Longzine		6	
5	YW01201800000	Spring (SD-700H-B-07)	70	3	borrow
4	YW66163000000	Flat washer A grade GB/T191.1 16- Longzine		6	
3	YW08001000100	Synchronous belt	45	1	
2	SD-400H-A-40	Belt regulator	Assembly	1	borrow
1	YM50036000300	Gear motor	Assembly	1	110V
	YM50512600000	Gear motor	Assembly	1	230V

No.	Material No.	Name	Mat.	Num.	Rem.
		制图 谢锦伟	版号 0	标题 SD-200H	图号 SD-200H-B-ALL
		设计 谢锦伟	核准	峰巢转装	
		校对			
		审核			
标记	更改前	更改后	更改人	日期	日期 20200711
				比例 1:6	数量 1
				表面要求	物料号

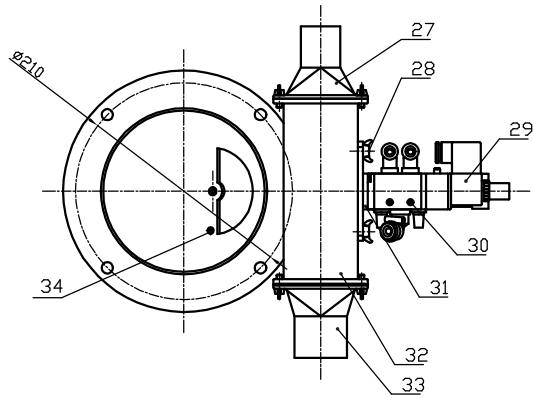
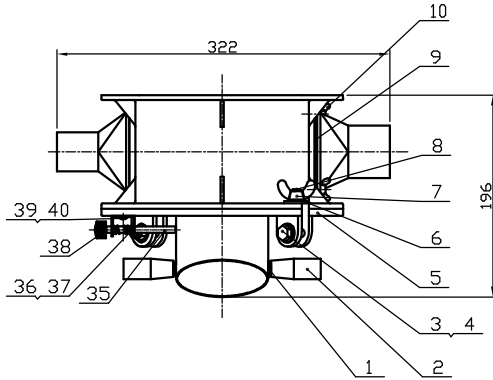
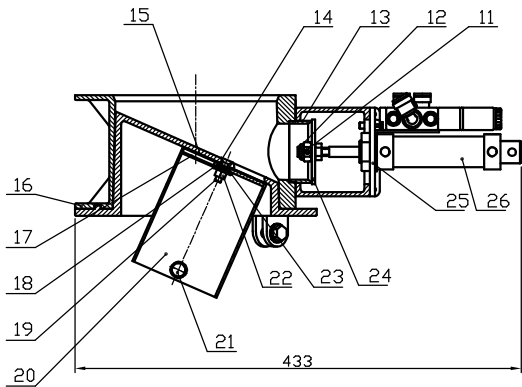
**SHINI** 信易電熱機械股份有限公司  
Shini Plastics Technologies, Inc.



25	YW63040600000	Cross socket pan head screw GB/T-818 M4x6-Longzine		2	
24	YR20044800000	O-type seal ring $\phi 4.8 \times \phi 4$	Rubber	1	
23	YR20305000000	O-type seal ring $\phi 30 \times \phi 5$	Rubber	1	
22	YW80061800000	Adjustable air pipe connector ASL6-1/8	Assembly	2	
21	YE31125010000	Cylinder MBL25x50-U(AIRTAC)		1	
20	SAL-910G-A-07	Solenoid valve fixed piece	SPCC1.2	1	
19	YE32421600100	Solenoid valve 4V210-06 220V	Assembly	1	
18	YW63042500000	Cross socket pan head screw GB/T-818 M4x5-Longzine		2	
17	BR4.0230700010	Upper cover SCD-230U/120H-D-07	YL112	1	
16	BH10906000110	Height increased iron rod SAL-910G-A-06	Q235A	1	
15	YW80081800100	Air pipe connector ASL8-1/8	Assembly	1	
14	YW80010800000	Muffer BSL-01	Assembly	2	
13	YW68005500000	Inner hex. flat end lock screw GB/T77 M5x5-Longzine		1	
12	YW80061800200	Air pipe connector ASL6-1/8	Assembly	2	
11	BH13900700010	3-way valve connector SAL-910G-A-05	6061	1	
10	BL22900000320	Air suction pipe 2 SAL-910G-A-04	SUS201	2	
9	SCD-230U/120H-D-06	3-way valve fixed plate	SPH4.0	1	
8	BL22900000120	Air suction pipe 1 SAL-910G-A-03	SUS201	1	
7	YR20258900000	O-type seal ring $\phi 89 \times \phi 2.5$ (ext. dia.)	Rubber	2	
6	BR10651200040	4-way valve diaphragm 65x12x8mm Covered (has mould)	Assembly	1	
5	YW66103200000	Large washer A grade GB/T96 10(10.5x30x2.5)-Longzine		2	
4	YW64101100000	Hex. lock nut M10 (Thickness: 1mm)		1	
3	BH10090000510	Valve body 1 SAL-910G-A-01	YL112	1	
2	YW65006000000	Standard spring washer GB/T93 6-A2-70(SUS)		6	
1	YW61062000300	Inner hex. column lock screw GB/T70.1M6x20-12.9-Longzine		6	
No.	Material number	Name	Mat.	Num.	Remarks

					制图	版号	SCD-230U/120H		SCD-230U/120H-D-ALL		比例	1:5	数量	1
					设计	核准	三通膜片阀					表面要求	材质	组件
					校对	日期					物料			
标记	更改前	更改后	更改人	日期	审核	日期	20170206	<b>SHINI</b> 信易電熱機械股份有限公司 Shini Plastics Technologies, Inc.						

号



Tech. Req:  
1. The clearance between the discharge port and discharge port sleeve shall be 0.5mm;

40	YW62040500000	Large cross recessed flat head screw JIS1111 M4x5-Longzine		2	
39	SBU-160-38S-V-A-13	Positioning pin fixed base	SUS201	1	
38	YW69461600000	Manual screw M4x6x16		1	
37	YW66000500000	E-type washer E5		1	
36	SBU-160-38S-V-A-14	Spring	65Mn	1	
35	SBU-160-38S-V-A-15	Belt	Q235	1	
34	YW69042000200	Cross recessed pan head assembly screw GB/T 9074.4-M4x20-Longzine		1	
33	SBU-160-50S-V-A-01	Suction port	YL112	1	borrow
32	SBU-160-38S-V-A-03	Shut-off body	YL112	1	
31	SBU-160-38S-V-A-10	Solenoid valve fixed block	SPCC2.0	1	
30	YW63042500000	Cross recessed pan head screw GB/T-818 M4x25-Longzine		2	
29	YE32421600100	Solenoid valve 4V210-06/AC24V AirTAC	Assembly	1	
28	YW69061500000	Butterfly bolt GB/T 3098 M6x15		2	
27	SBU-160-38S-V-A-05	Suction port	YL112	1	
26	YE31255000000	AirTAC cylinder MAL-CA 25x50	Assembly	1	
25	SBU-160-38S-V-A-11	Cylinder fixed sheet	SUS201	1	
24	SBU-160-38S-V-A-19	Diaphragm $\phi 63 \times \phi 10 \times 3$	SUS201	1	
23	YW66061200000	Flat washer A grade GB/T97.1 616.4x12x1.61-A2-70SUS		1	
22	YW64060401000	1-type full metal hex. lock nut GB/T6184 M6-A2-70SUS		1	
21	YW60081600100	Hex. bolt GB/T5781 M6x16-4.8-Longzine		2	
20	SBU-160-38S-V-A-04	Discharge part sleeve	SUS201	1	
19	YW61062500500	Inner hex. countersunk head screw GB/T70.3 M6x25-A2-70SUS		1	
18	YW66061800000	Large washer A grade GB/T97.1 6-Longzine		1	
17	SBU-160-38S-V-A-17	Hopper inside washer	SUS201	1	
16	SBU-160-38S-V-A-01	Collective storage hopper	YL112	1	
15	SBU-160-38S-V-A-18	Hopper bottom washer	SUS201	1	
14	YW66061300000	Flat washer A grade GB/T97.1 6-Longzine		2	
13	SBU-160-38S-V-A-09	Shut-off part	SUS201	1	
12	BH10160009710	Anti-loose nut M10x1.25(M4 lock hole)SBU-160-38S-V-A-21	Assembly	1	
11	YW68004500000	Inner hex. flat end lock screw GB/T77 M4x5-Longzine		1	
10	YW69051500000	Butterfly bolt GB/T 3098-M5x15		4	
9	SBU-160-38S-V-A-07	Air filling part block	SUS201	1	
8	YW09051600100	Star screw 5/16(SBU-160-38S-V-22)		2	
7	YW69051600000	Butterfly cap		2	
6	YW66081900000	Flat washer 8x19x2.0 Longzine		6	
5	SBU-160-38S-V-A-02	Discharge part body	YL112	1	
4	YW64080600000	Hex. nut GB/T6170 M6-Longzine		2	
3	YW60083000100	Hex. bolt GB/T5783 M6x30-8.8-Longzine		2	
2	YW06000100000	Cutter rotating rod (fixed rod) handle	Plastics	2	
1	YW66081900000	Flat washer 8x19x2.0 Longzine		2	

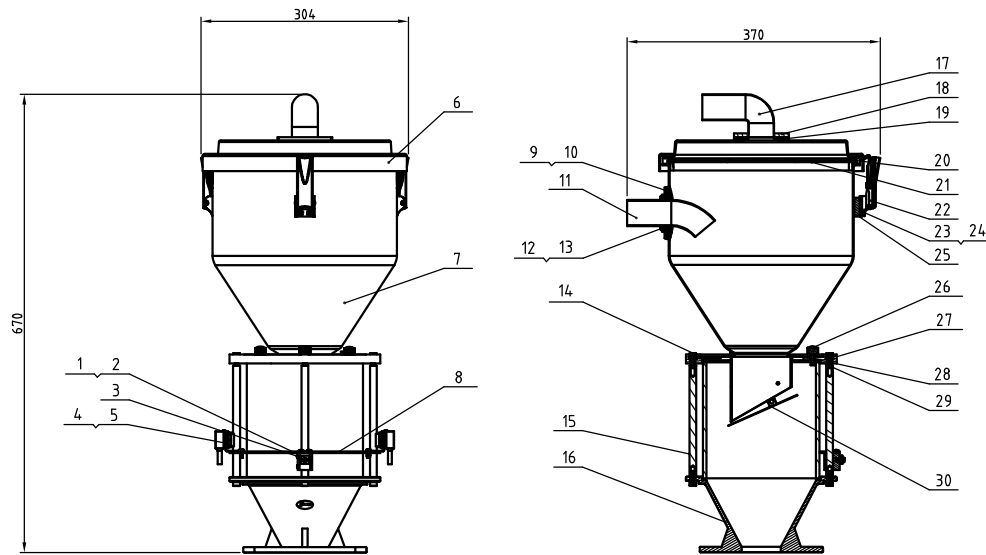
					制图	版号
					设计	核准
					校对	标准
					审核	日期
标记	更改前	更改后	更改人	日期	审核	日期

标题	SBU-160-38S-V	图号	SBU-160-38S-V-A-ALL	比例	1:4	数量	1	备注	
	截料式吸料盒							材质	组件
								表面要求	
								物料号	





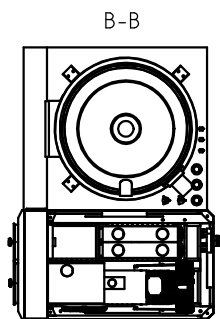
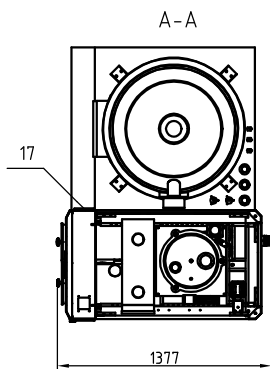
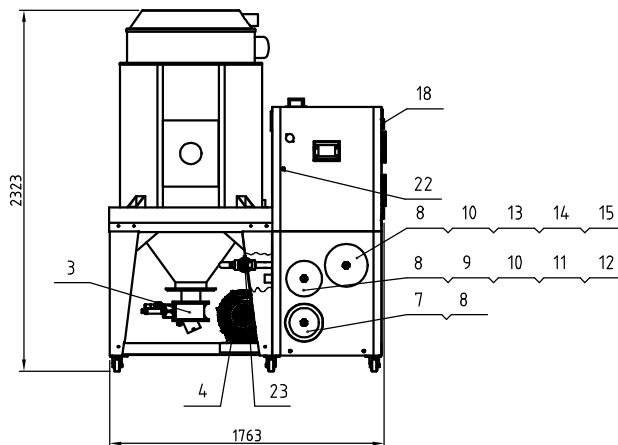
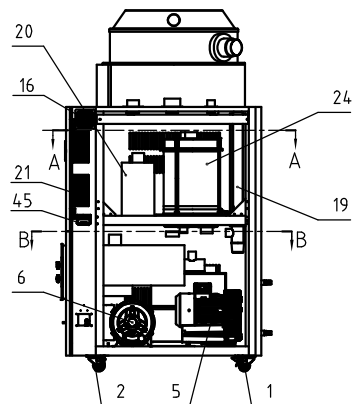




30	SVH-12L-A-08	Non-return piece	SUS201	1	
29	SVH-12L-A-02	Glass pipe $\phi 170 \times \phi 160 \times 170$	Glass	1	YW70171700000
28	SVH-12L-A-04-0	Glass pipe fastener	Silical gel	2	YR10001200100
27	SVH-12L-A-07	Glass pipe upper flange	YL112	1	BW22121000110
26	YW69621600000	Manual screw M6x15		3	YR40000600800 borrow
25	SAL-6U	Spring washer	ABS	3	
24	YW66040800000	Flat washer A grade GB/T97.1 4 Longline		12	
23	YW64040700100	Non-metal insert hex lock nut GB/T899.1 H4		12	
22	SAL-6U-A-35	Adjustable snap hook	Assembly	3	YW2003000400 borrow
21	SHR-12U-A-05	Filter screen	SUS201	1	BL21001200320 borrow
20	SHR-6U-33-0	Hopper fastener	Rubber	1	YR1000200200 borrow
19	YR10000000200	Suction pipe fastener	Rubber	1	
18	YW62051500000	Large cross socket flat head screw $\phi 5 \times 11 \times 15 \times 4$ Longline		4	
17	SMH-6L-A-02	Suction pipe	YL12	1	BW20001500010 borrow
16	SVH-12L-A-10	Glass pipe lower flange	YL112	1	BW32001200210
15	SVH-12L-A-06	Flange connecting rod	Q235A	4	BH10101600110
14	YW61061601200	Insert hex column head screw GB/T7794-5 Longline		8	
13	YW66040800000	Flat washer A grade GB/T97.1 4 Longline		4	
12	YW64040700100	Non-metal insert hex lock nut GB/T899.1 H4		4	
11	SAL-6U-A-14	Inlet pipe	SUS201	1	BL32000600020 borrow
10	SAL-6U-A-16	Inlet pipe fastener	Rubber	1	YR10000600300 borrow
9	SAL-6U-A-15	Inlet pipe fastener fixed sheet	SUS201	1	BL20036000320 borrow
8	SVH-12L-A-01	Photosensor fixed sheet	SUS201	1	BL21001200120
7	SVH-12L-A-03	Collective storage hopper	Assembly	1	
6	SHR-12U-A-07	Hopper cover	SUS304	1	BL21120700320 borrow
5	SVH-6L-ALL-10	Photosensor fixed base	YL12	1	BL90001000120 borrow
4	YE15143900000	Photosensor FOTEK T19-3MH-PE	Assembly	1 pair	
3	YW68004500000	Insert hex flat and locking screw GB/T 7794-5 Longline		2	
2	SVH-6L-ALL-11	Photosensor pressing block	SUS201	1	YW31616200000 borrow
1	YW63041200100	Cross recessed pan head screw HL=120/188 Longline		4	
No.	Part No.	Name	Material	Num.	Remarks

制图	版号	标题	图号	比例	1:6	数量	1
设计	核准	电眼料斗	SVH-12L-A-ALL	表面要求		材质	组件
校对				物料号			
标记	更改前	更改后	更改人	日期	审核	日期	

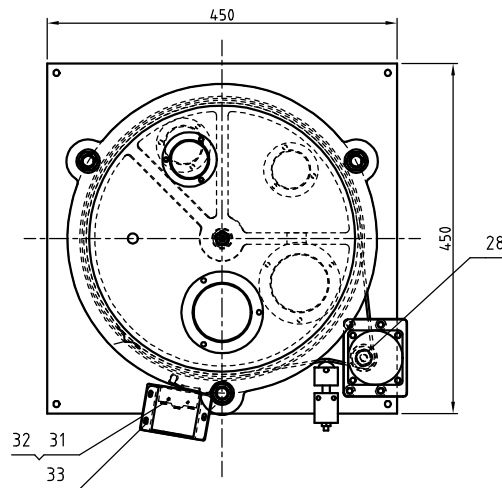
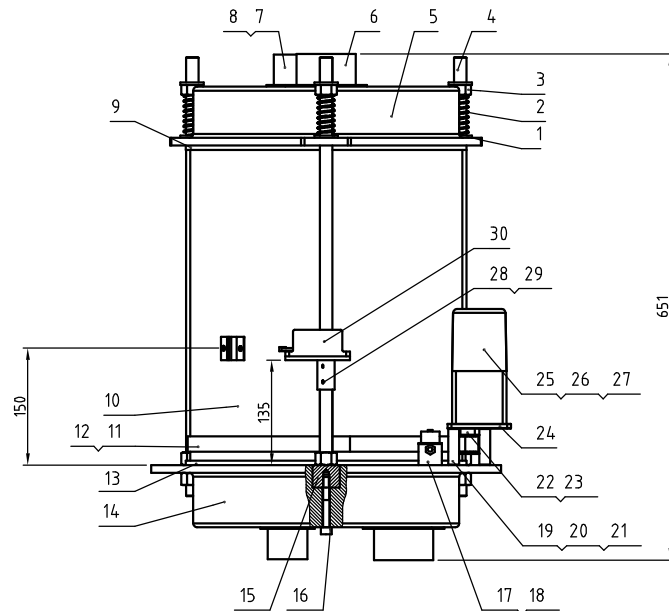
**SHINI** 信易电热机械股份有限公司  
Shini Plastics Technologies, Inc.



24	SD-400H-B-ALL	Honeycomb rotor		1	
23	SCD-230U/120H-D-ALL	3-way diaphragm valve		1	
22	YW00816100000	Door lock (MS816-1 blk. with key)		1	
21	YW90120700000	Alu. cooler STM-1207HT-A-17(blk.)		3	
20	BH70184.000550	Pipe heater 18KW		1	
19	BH704.07200050	Pipe heater 7.2KW		1	
18	YW06203100200	Hinge (L CL203-1, right)		2	
17	YM601212064.00	Exhaust fan 12x12CM/24VAC 50/60HZ		1	
16	YR40120300000	Anti-dust plastic screen (GRM120-30)		1	
15	YR10026000000	Filter barrel fastener Ø260	Stical gal	1	
14	BR904.06000010	SD-400H-A-60 filter barrel cover	PC	1	
13	YR5024.14.000000	Filter ADC3	Assembly	1	
12	BR901205000010	SD-120H-ALL-05 filter barrel cover	PC	1	
11	YR502030000000	Filter SD-200/300(L)		1	
10	YW690516000000	Butterfly nut 5/16"		2	
9	YR10080000300	Filter barrel fastener SAL-800G-A-49		1	
8	YW096751000000	Small star nut 5/16 SHD-6~75KG-01-SJ alu. alloy		3	
7	YR10708000100	Filter SAL-700/800G		1	
6	BM30031000150	Shini Blower RB-310		1	
5	BM30055000050	Shini blower RB-550		1	
4	BM3004.2000050	Shini blower RB-420		1	
3	SBU-160-38S-V-A-ALL	Shut-off suction box		1	
2	YW030004.00200	Black movable castor (4")		3	
1	YW030004.00000	Black brake castor (4")		3	
No.	Material number	Name	Mat.	Num.	Rem.

					Dra.		Ver.	
					Desi.		App. by	
					Check		Date	
Mark	Before Mod.	After Mod.	Mod. by	Date	App.		Date	

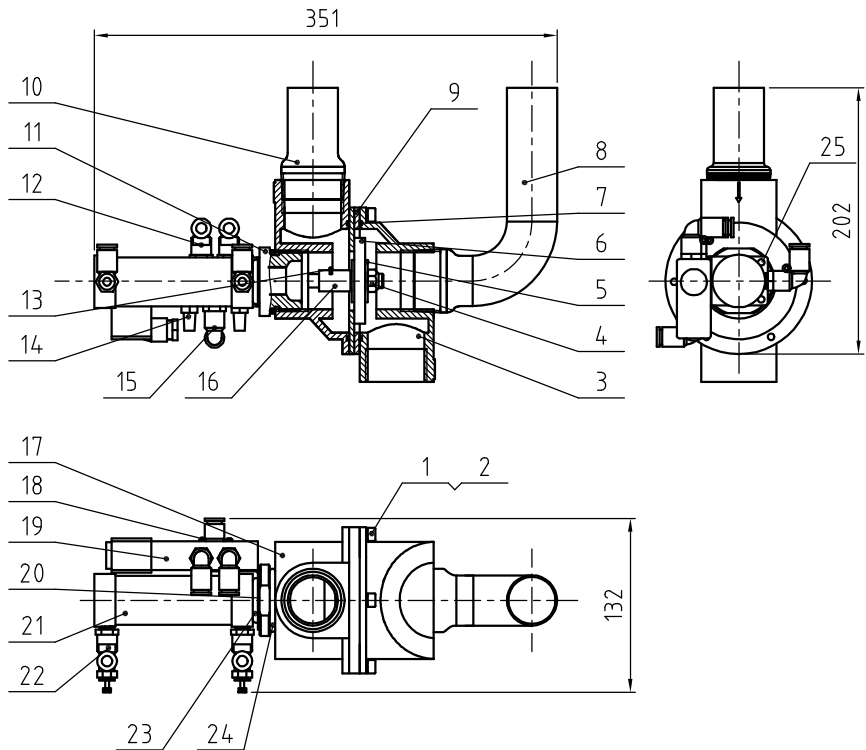
Title SCD-600U/400H "All-in-One" Compact Dryer		Drawing No. SCD-600U/400H-ALL		Scale 1:30	No. 1
SHINI 信易電熱機械股份有限公司 Shini Plastics Technologies, Inc.				Surface Req.	Mat.
				Mat. No. BP33604.000500	



33	YW6304.0600000	Cross socket pan head screw GB/T-818 M4x5-Longzine		3	
32	YE14511200000	Limit switch YBLXW-5/1IG2	Assembly	1	
31	YW63032500000	Cross socket pan head screw GB/T-818 M3x25-Longzine		2	
30	YR40330900000	Micro switch box	ABS	1	
29	YW68004500000	Inner hex. flat end lock screw GB/T771 M4x5-Longzine		3	
28	SD-40H-A-22	Micro switch fixed plate	SUS201	1	Borrow
27	YW64.000500000	Hex. nut M5		4	
26	YW61059500000	Inner hex. cylinder screw GB/T711 M4x5-Longzine		4	
25	YM50512600000	Gear motor	Assembly	1	
24	SD-400H-A-38	Gear motor mount plate	AC4D	1	
23	YW6804.1000000	Inner hex. flat end lock screw GB/T771 M4x5-Longzine		1	
22	YW080014.00100	Synchronous belt wheel	45	1	
21	YW64.000600300	Hex. nut GB/T6170 M16-Longzine		4	
20	YW63067000000	Thickness head screw M6x70(Longzine)		4	
19	BH10070001510	Positioning pipe SD-400H-A-37	AL6061	4	
18	YW6304.4500000	Cross socket pan head screw GB/T-818 M4x5-Longzine		2	
17	SD-400H-A-40	Belt regulator	Assembly	1	Borrow
16	YW61086500000	Inner hex. cylinder screw GB/T711 M4x5-12.9-Longzine		2	
15	SD-40H-B-05	Honeycomb mount shaft	45	2	Borrow
14	SD-400H-A-47	Honeycomb lower cover	LY112	1	Borrow
13	YR10304.0000000	Silicone Teflon washer (lower)	Red silica gel + Teflon	1	
12	YR00003000000	Synchronous belt wheel	Assembly	4	
11	YR00304700000	Synchronous belt 30x4.70XL	Assembly	1	
10	YW71035000700	Honeycomb PPSR-350x4.00L	Full molecular sieve	1	
9	YR10304.000100	Silicone Teflon washer (upper)	Red silica gel + Teflon	1	
8	YW62051000100	Cross socket flat head screw JIS1111 M5x8-Longzine		15	
7	SD-30H-A-05	2" upper and lower cover flange	SUS201	3	Borrow
6	SD-400H-A-33	Honeycomb upper 3-way	SUS201	2	
5	SD-400H-A-46	Honeycomb upper cover	ZL101	1	Borrow
4	SD-1000H-B-11	Double head screw	Q235A	3	Borrow
3	YW64.001600000	Hex.nut GB/T6170 M16-Longzine		6	
2	YW01201800000	Spring (SD-700H-B-07)	70	3	Borrow
1	YW66163000000	Flat washer A grade GB/T197.1 16-Longzine		6	
No.	Material number	Name	Material	Num.	Remarks

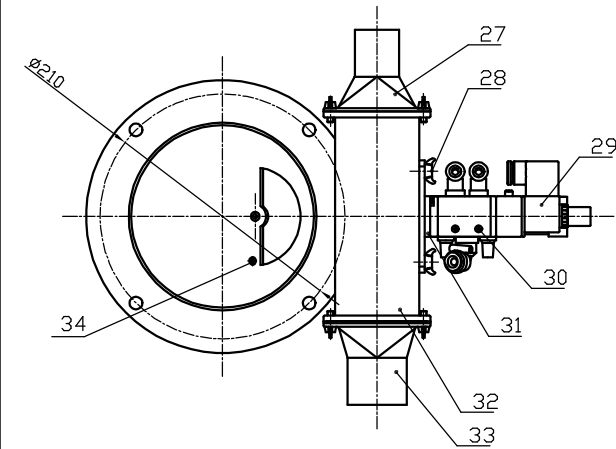
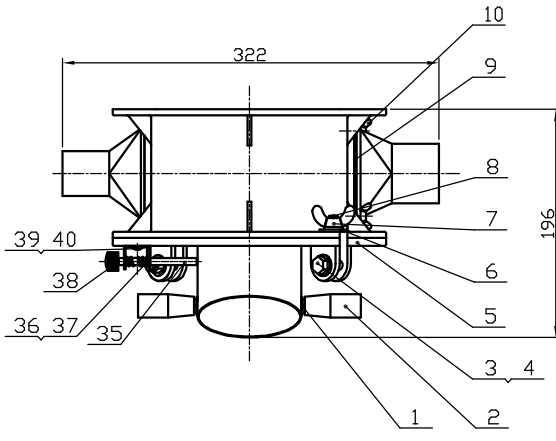
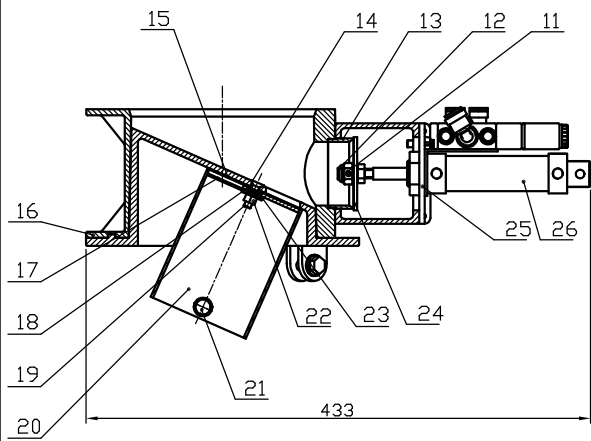
Mark	After modification	Before modification	Modified by	Modify date	Checked by	Date

Drawer	Version	Title	Drawing No.	Scale	16	Number	1
Designer		SD-400H Honeycomb Rotor	SD-400H-B-ALL				
Proofread by	Approved by	信易電熱機械股份有限公司 Shini Plastics Technologies, Inc.		Surface requirement		Material	
Checked by	Date			Material number			



25	YW63040600000	Cross socket pan head screw GB/T-818 M4x6-Longzine		2	
24	YR20044800000	O-type seal ring $\phi 4.8 \times \phi 4$	Rubber	1	
23	YR20305000000	O-type seal ring $\phi 30 \times \phi 5$	Rubber	1	
22	YW80061800000	Adjustable air connector ASL6-1/8	Assembly	2	
21	YE31125010000	Cylinder MBL25x50-U(AIRTAC)		1	
20	SAL-910G-A-07	Solenoid valve fixed plate	SPCC1.2	1	
19	YE32421600100	Solenoid valve 4 V210-06 AC24V	Assembly	1	
18	YW63042500000	Cross socket pan head screw GB/T-818 M4x25-Longzine		2	
17	BR40230700010	Upper cover SCD-230U/120H-D-07	YL112	1	
16	BH10906000110	Height increased iron rod SAL-910G-A-06	Q235A	1	
15	YW80081800100	Air pipe connector APL8-1/8	Assembly	1	
14	YW80010800000	Silencer BSL-01	Assembly	2	
13	YW68005500000	Inner hex.flat end lock screw GB/T77 M5x5-Longzine		1	
12	YW80061800200	Air pipe connector APL6-1/8	Assembly	2	
11	BH13900700010	3-way valve connector SAL-910G-A-05	6061	1	
10	BL22900000320	Suction pipe 2 SAL-910G-A-04	SUS201	2	
9	SCD-230U/120H-D-06	3-way valve middle flange	SPH4.0	1	
8	BL22900000120	Suction pipe 1 SAL-910G-A-03	SUS201	1	
7	YR20258900000	O-type seal ring $\phi 8.9 \times \phi 2.5$ (ext. dia.)	Rubber	2	
6	BR10651200040	4-way diaphragm 65x12x8mm covered (has mould)	Assembly	1	
5	YW66103200000	Large washer A grade GB/T96 10(10.5x30x2.5)-Longzine		2	
4	YW64101100000	Hex. lock nut M10(Thickness: 11mm)		1	
3	BH10090000510	Valve 1 SAL-910G-A-01	YL112	1	
2	YW65006000000	Standard spring washer GB/T93 6-A2-70(SUS)		6	
1	YW61062000300	Inner hex. cylindrical screw GB/T70.1 M6x20-12.9-Longzine		6	
No.	Material number	Name	Mat.	Num.	Rem.

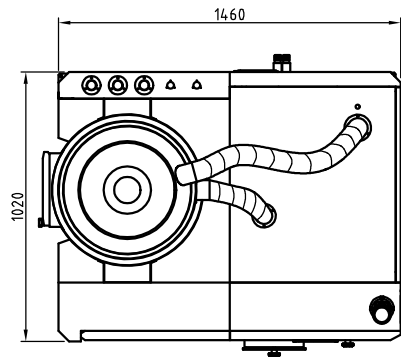
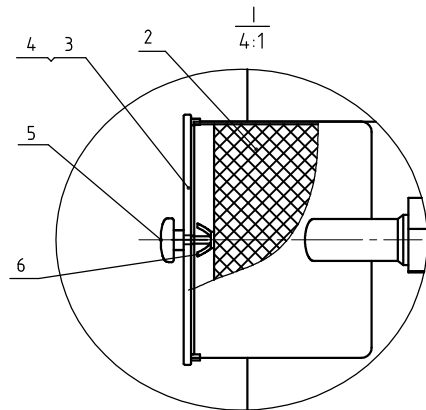
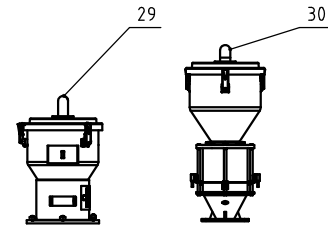
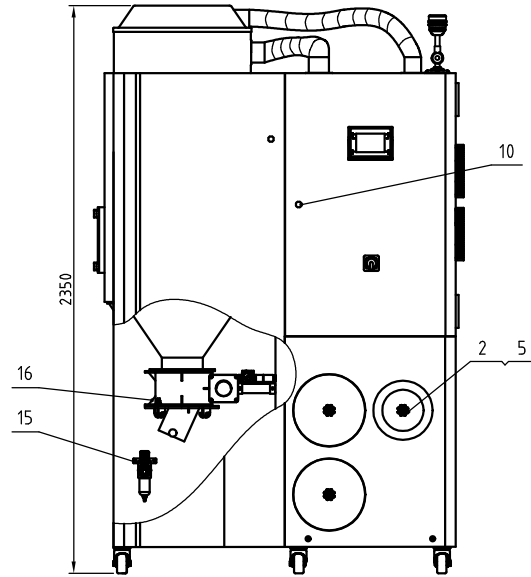
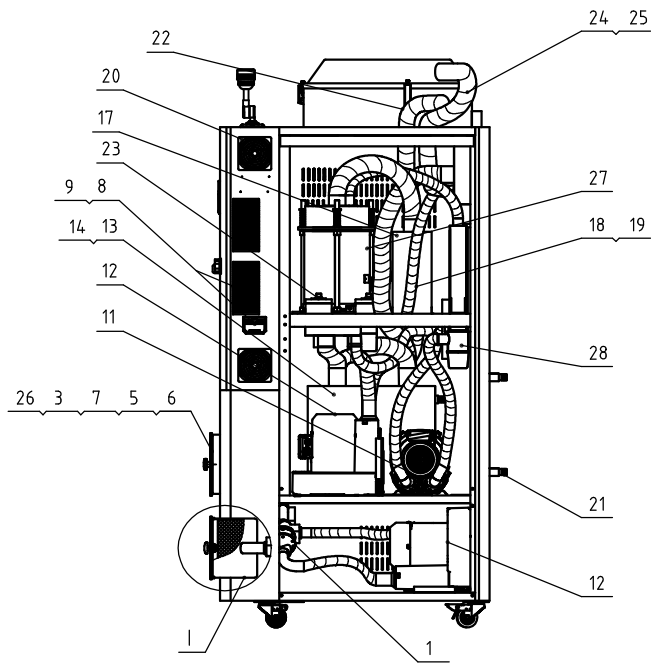
					Draw.		Ver.		Title	SCD-230U/120H	Drawing no.	Scale	1:5	Num.	1
					Desi.		App.			3-way Diaphragm valve	SCD-230U/120H-D-ALL			Mat.	
					Check		by						Surface req.		
Mark	Before Mark	After Mod.	Modified by.	Date	App.		Date	20170206		信易電熱機械股份有限公司	Shini Plastics Technologies, Inc.	Mat No.			



Tech. Req. :  
1. The clearance between the discharge port body and discharge port sleeve is 0.5mm;

40	YW62040500000	Large socket pan head screw M4x5JIS1111 M4x5-Longzine		2	
39	SBU-160-38S-V-A-13	Positioning pin fixed base	SUS201	1	
38	YW69461600000	Manual screw M4x6x16		1	
37	YW66000500000	E-type spring washer E5		1	
36	SBU-160-38S-V-A-14	Spring	65Mn	1	
35	SBU-160-38S-V-A-15	Pin	Q235	1	
34	YW69042000200	Cross socket pan head assembly screw GB/T 907L4-M4x20-Longzine		1	
33	SBU-160-50S-V-A-01	Suction port	YL112	1	Borrowed
32	SBU-160-38S-V-A-03	Shut-off body	YL112	1	
31	SBU-160-38S-V-A-10	Solenoid valve fixed block	SPCC2.0	1	
30	YW63042500000	Cross socket pan head screw GB/T-818 M4x25-Longzine		2	
29	YE32421600000	Solenoid valve 4V210-06/AC220V AirTAC	Assembly	1	
28	YW69061500000	Butterfly bolt GB/T 3098 M6x15		2	
27	SBU-160-38S-V-A-05	Suction port	YL112	1	
26	YE31255000000	Cylinder MAL25x50-CA-PT(AirTAC)	Assembly	1	
25	SBU-160-38S-V-A-11	Cylinder fixed piece	SUS201	1	
24	SBU-160-38S-V-A-19	Diaphragm $\varnothing 63 \times \varnothing 10 \times 3$	SUS201	1	
23	YW66061200000	Flat washer A grade GB/T97.1 616.4x12x161-A2-70(SUS)		1	
22	YW64060401000	1-type full metal hex lock nut GB/T6184 M6-A2-70(SUS)		1	
21	YW60081600100	Hex. head bolt GB/T5783 M8x16-4.8-Longzine		2	
20	SBU-160-38S-V-A-04	Discharge port sleeve	SUS201	1	
19	YW61062500500	Inner hex. countersunk screw GB/T70.3 M6x25-A2-70(SUS)		1	
18	YW66061800000	Large washer A grade GB/T96.1 6-Longzine		1	
17	SBU-160-38S-V-A-17	Hopper inner washer	SUS201	1	
16	SBU-160-38S-V-A-01	Collective body	YL112	1	
15	SBU-160-38S-V-A-18	Hopper bottom washer	SUS201	1	
14	YW66061300000	Flat washer A grade GB/T97.1 6-Longzine		2	
13	SBU-160-38S-V-A-09	Shut-off port	SUS201	1	
12	BH10160009710	Anti-loose nut M10x125(M4 lock hole)SBU-160-38S-V-A-21	Assembly	1	
11	YW68004500000	Inner hex. flat head lock nut GB/T777 M4x5-Longzine		1	
10	YW69051500000	Butterfly bolt GB/T 3098-M5x15		4	
9	SBU-160-38S-V-A-07	Air replenishment fender	SUS201	1	
8	YW09051600100	Star screw 5/16(SBU-160-38S-V-22)		2	
7	YW69051600000	Butterfly cap $\frac{3}{8}$ "		2	
6	YW66081900000	Flat washer 8x19x2.0 Longzine		6	
5	SBU-160-38S-V-A-02	Discharge port body	YL112	1	
4	YW64080600000	Hex. nut GB/T6170 M8-Longzine		2	
3	YW60083000100	Hex. bolt GB/T5783 M8x30-8.8-Longzine		2	
2	YW06000100000	Cutter rotating rod (without rod) handle	Plastics	2	
1	YW66081900000	Flat washer 8x19x2.0 Longzine		2	
No.	Material number	Name	Material	Num.	Remarks

					Drawer		Version		Title		SBU-160-38S-V		Proportion	1:4	Number	1	
					Designer			Approved by			Shut-off Suction Box	SBU-160-38S-V-A-ALL			Material	Assembly	
					Proofread by			Date					Surface requirement				
Mark	After modification	Before modification	Modified by	Modify date	Checked by								Material number				
													<b>SHINI</b>		信易電熱機械股份有限公司 Shini Plastics Technologies, Inc.		

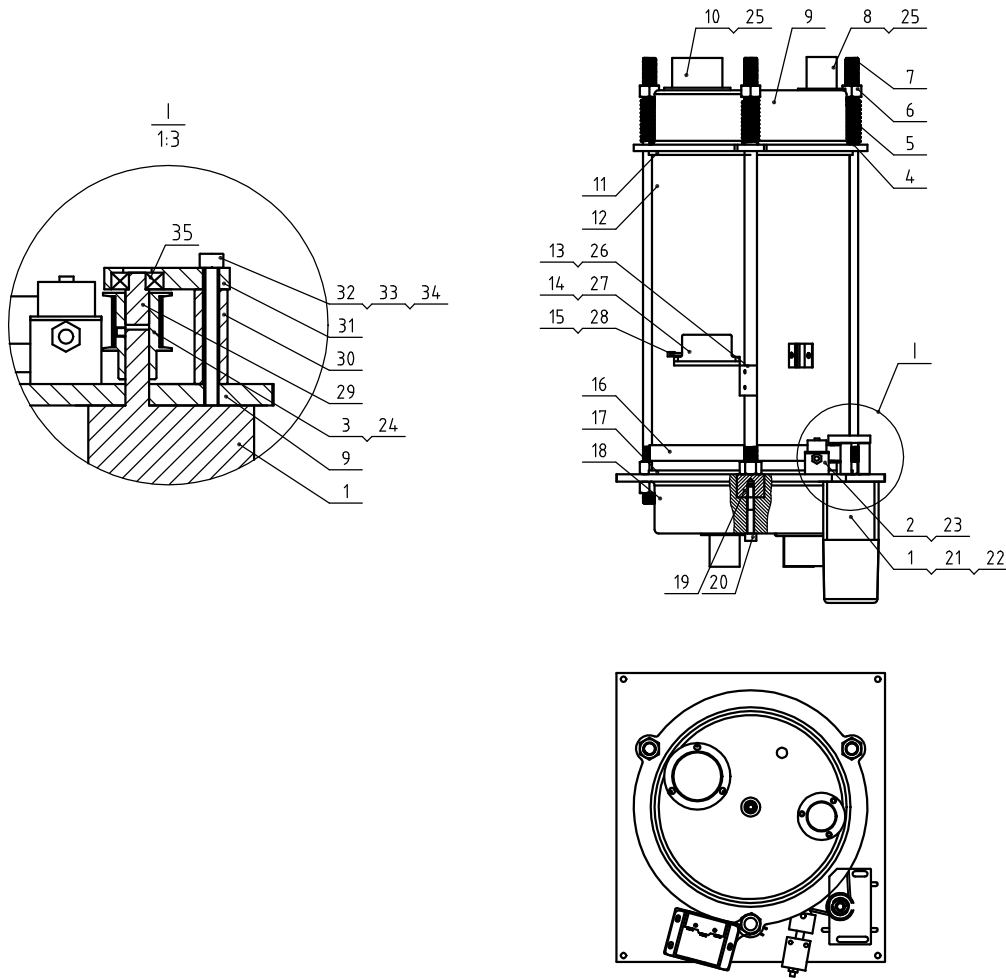


30	BY20001202350	Standard photosensor hopper receiver SVH-12U	Assembly	1	
29	BY20012004350	Vacuum hopper receiver SHR-12U	Assembly	1	
28	BH70150400050	Pipe heater 4KW 3ø230V/400V shared		1	borrow
27	SD-200H-B-ALL	Honeycomb assembly	Assembly	1	
26	YR50203000100	Filter (SD-200/300)	Assembly	1	return air filter
25	YW02000300000	Stainless steel pipe clamp 3"	SUS201	8	
24	YW72253600000	Heat resistant air pipe 2.5"	Assembly	4	
23	BH90115000050	EGO assembly	Assembly	2	
22	BW72879300010	Heat insulated resistant hot air pipe ø92X930	Assembly	1	
21	BH122234.00010	Copper insert M23x3/4"	H62	2	
20	YM601212064.00	Exhaust pipe 12x12	Assembly	1	
19	YW02000200000	Stainless steel pipe clamp 2"	SUS201	12	
18	YW72153600000	Heat resistant air pipe 1.5"	Assembly	6	
17	BH70124.000550	Pipe heater 12KW SCD-300U/200H-B-04-3ø230/400V		1	
16	SBU-160-38S-V-A-ALL	Shut-off suction box	Assembly	1	
15	YE302000200000	Filter & pressure regulating valve (AFR-2000)	Assembly	1	
14	BL03154.04.0120	Cooler(SD-150/200H)	Assembly	1	hole on side
13	BW88152000020	Cooler(SD-150/200H)	Assembly	1	no hole on side
12	BM3004.2000050	Shini blower RB-420(2HP)	Assembly	2	
11	BM30020500050	Shini blower RB-205(1/2HP)	Assembly	1	
10	YW00816100000	Door lock (MS816-1)	Assembly	2	
9	YW90120700000	Alu. cooler STM-1207HT-A-17 (black)	AL6061	2	
8	YR4004.8500000	Shell RS485(SAL-700G-A-19)0	ABS+PC	1	
7	YR101204.000000	SD-120H-ALL-04-0 filter barrel fastener	Silica gel	1	for return air filter hopper
6	YW69051600000	Small nut 5/16"		2	
5	YW09675100000	Small nut 5/16"		3	
4	YR10708000100	Filter barrel fastener 700/800G	Rubber	1	
3	BR90120500010	Filter barrel cover	PC	2	
2	YR50708000100	Filter (SAL700/800G)	Assembly	2	
1	SCD-230U/120H-D-ALL	Three-way diaphragm valve	Assembly	1	
No.	Material number	Name	Mat.	Num.	Remarks

Tech. Req:

The drying heater power and regen. heater power is 12KW and 4kw respectively, the power of drying blower and feeding blower is both 15KW, the power of regen. blower is 0.4KW, and the dehumidifying air flow is 200m/h, and the drying hopper capacity is 450L;

制图	版号	标题	图号	比例	1:18	数量	1
设计	核准	SCD-450U/200H 欧化除湿干燥送料组合	SCD-450U/200H-ALL	表面要求	材质		
校对	审核	信易电热机械股份有限公司 Shini Plastics Technologies, Inc.		物料号			
标记	日期						
更改前	更改后	更改人	日期				



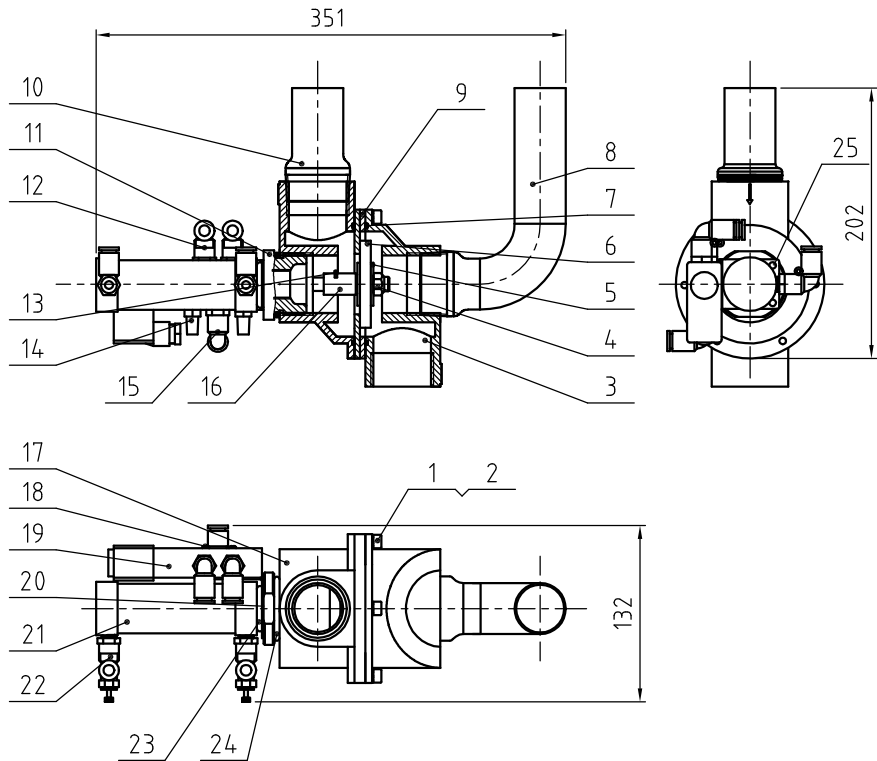
35	YW11062700000	Bearing 627	Assembly	1	
34	YW66061300000	Flat washer A grade GB/T191.1 616.6x12x1.6-Longzine		3	
33	YW65006000100	Standard spring washer GB/T93 6-Longzine		3	
32	YW61066500000	Inner hex. cylindrical screw GB/T170.1 M6x5-A2-70(full thread)		3	
31	SD-200H-B-05	Gear motor fixed plate	6061	1	
30	SD-200H-B-04	Positioning pipe 40mm	6061	3	
29	BH33702300010	Fixing shaft SD-700H-B-23	SUS201	1	
28	YW63032500000	Cross socket pan head screw GB/T-818 M3x25-Longzine		2	
27	YW63040600000	Cross socket pan head screw GB/T-818 M4x6-Longzine		3	
26	YW68004500000	Inner hex. flat end lock screw GB/T77 M4x5-Longzine		2	
25	YW62051000100	Large cross socket pan head screw J51111 M5x9-Longzine		15	
24	YW68041000000	Inner hex. flat end lock screw GB/T77 M4x10-Longzine		1	
23	YW63044500000	Cross socket pan head screw GB/T-818 M4x25-Longzine		2	
22	YW64000500000	Non-metal insert hex. lock nut GB/T889.1 M5		4	
21	YW61059500000	Inner hex. cylindrical screw GB/T170.1 M5x95-12.9-Longzine		4	
20	YW61086500000	Inner hex. cylindrical screw GB/T170.1 M6x5-12.9-Longzine		2	
19	BH1101300010	Honeycomb mount shaft	45	2	borrow
18	BA40152000110	Honeycomb upper cover	ZL101	1	
17	YR10152000000	Silical gel Teflon washer (lower)	Red silical gel+Teflon	1	
16	YR00203400000	Synchronous belt 20x340XL	Assembly	1	
15	YE14511200000	Limit switch YBLXW-5/11G2	Assembly	1	
14	YR40330900000	Micro switch box	ABS	1	
13	BL04402200020	Micro switch fixed piece SD-40H-A-22	SUS201	1	borrow
12	YW71025000700	Honeycomb φ250x400	Full silical gel	1	
11	YR10152000100	Silical gel Teflon washer (upper)	Red silical gel+Teflon	1	
10	SD-200H-A-35	2.5" flange	SUS201	2	borrow
9	BA40200100310	Honeycomb lower cover	ZL101	1	borrow
8	SD-200H-A-39	1.5" upper & lower cover flange	SUS201	3	
7	BH1100000210	Double head screw SD-1000H-B-11	SUS200	3	borrow
6	YW64001600000	Hex nut GB/T6170 M16-Longzine		6	
5	YW01201800000	Spring (SD-700H-B-07)	70	3	borrow
4	YW66163000000	Flat washer A grade GB/T191.1 16- Longzine		6	
3	YW08001000100	Synchronous belt	45	1	
2	SD-400H-A-40	Belt regulator	Assembly	1	borrow
1	YM50036000300	Gear motor	Assembly	1	110V
1	YM50512600000	Gear motor	Assembly	1	230V

Tech. Req:

- 1.The red silica gel side of the part No.11 should be bonded with part No.18 with high temp. silica gel, and the red silica gel side of the part No.17 should be bonded with part No.9 with high temp. silica gel.
- 2.The joints of No. 8, No. 10 and No. 11 and No. 18 are bonded high temp. silica gel to prevent air leakage;
- 3.Adjust the position of part No. 2 on site to make part No. 16 in tension;
- 4.The compression value of part No.5 is 15.

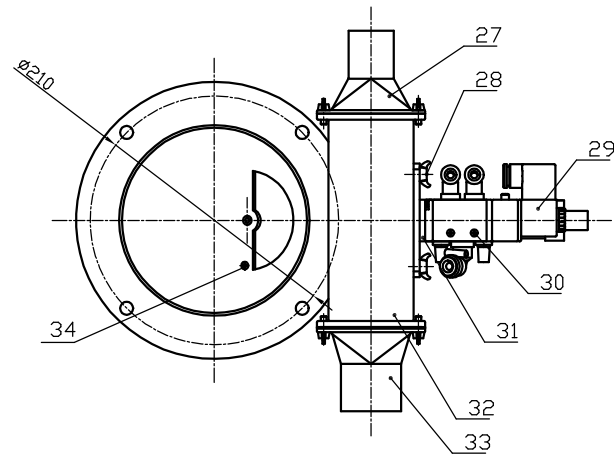
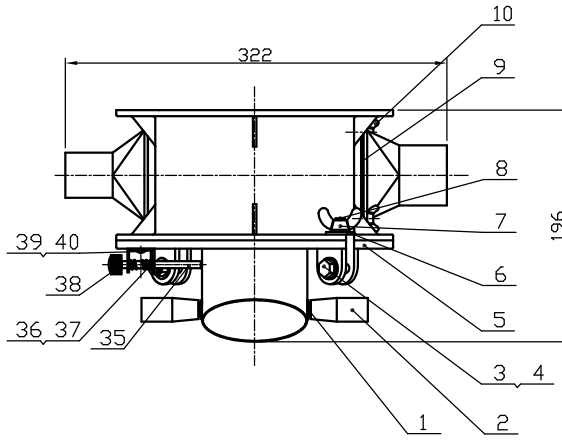
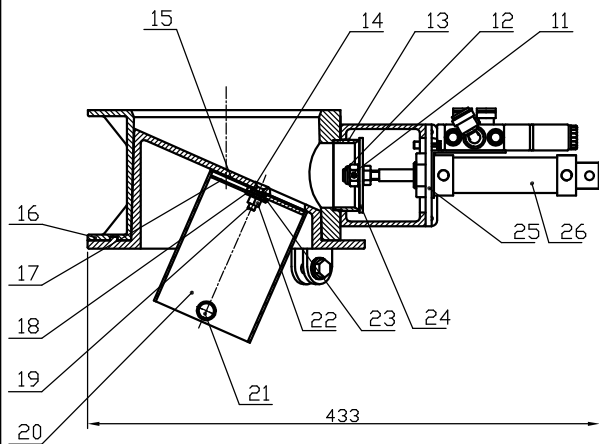
					制图	谢锦伟	版号	0	标题	SD-200H 蜂巢转轮	图号	SD-200H-B-ALL	比例	1:6	数量	1
					设计	谢锦伟	核准							材质		
					校对								表面要求			
标记	更改前	更改后	更改人	日期	审核		日期	20200711		信易电热机械股份有限公司 Shini Plastics Technologies, Inc.	物料号					





25	YW63040600000	Cross socket pan head screw GB/T-818 M4x6-Longzine		2	
24	YR20044800000	O-type seal ring $\phi 48 \times \phi 4$	Rubber	1	
23	YR20305000000	O-type seal ring $\phi 30 \times \phi 5$	Rubber	1	
22	YW80061800000	Adjustable air pipe connector ASL6-1/8	Assembly	2	
21	YE31125010000	Cylinder MBL25x50-U(AIRTAC)		1	
20	SAL-910G-A-07	Solenoid valve fixed piece	SPCC1.2	1	
19	YE32421600100	Solenoid valve 4V210-06 220V	Assembly	1	
18	YW63042500000	Cross socket pan head screw GB/T-818 M4x25-Longzine		2	
17	BR40230700010	Upper cover SCD-230U/120H-D-07	YL112	1	
16	BH10906000110	Height increased iron rod SAL-910G-A-06	Q235A	1	
15	YW80081800100	Air pipe connector ASL8-1/8	Assembly	1	
14	YW80010800000	Muffer BSL-01	Assembly	2	
13	YW68005500000	Inner hex. flat end lock screw GB/T77 M5x5-Longzine		1	
12	YW80061800200	Air pipe connector ASL6-1/8	Assembly	2	
11	BH13900700010	3-way valve connector SAL-910G-A-05	6061	1	
10	BL22900000320	Air suction pipe 2 SAL-910G-A-04	SUS201	2	
9	SCD-230U/120H-D-06	3-way valve fixed plate	SPH4.0	1	
8	BL22900000120	Air suction pipe 1 SAL-910G-A-03	SUS201	1	
7	YR20258900000	O-type seal ring $\phi 89 \times \phi 2.5$ (ext. dia.)	Rubber	2	
6	BR10651200040	4-way valve diaphragm 65x12x8mm Covered (has mould)	Assembly	1	
5	YW66103200000	Large washer A grade GB/T96 10(10.5x30x2.5)-Longzine		2	
4	YW64101100000	Hex. lock nut M10 (Thickness: 11mm)		1	
3	BH10090000510	Valve body 1 SAL-910G-A-01	YL112	1	
2	YW65006000000	Standard spring washer GB/T93 6-A2-70(SUS)		6	
1	YW61062000300	Inner hex. column lock screw GB/T70.1 M6x20-12.9-Longzine		6	
No.	Material number	Name	Mat.	Num.	Remarks

					制图	版号	SCD-230U/120H		比例	1:5	数量	1
					设计	核准	三通膜片阀		SCD-230U/120H-D-ALL		材质	组件
					校对		<b>信易電熱機械股份有限公司</b> <b>Shini Plastics Technologies, Inc.</b>		表面要求			
标记	更改前	更改后	更改人	日期	审核	日期			20170206	物料号		

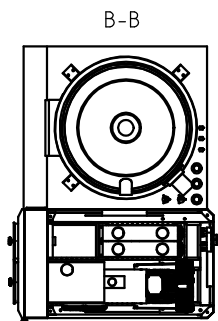
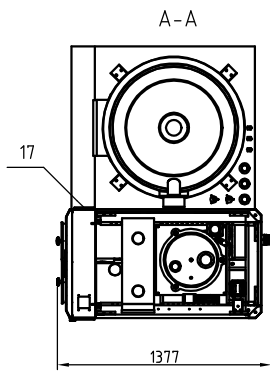
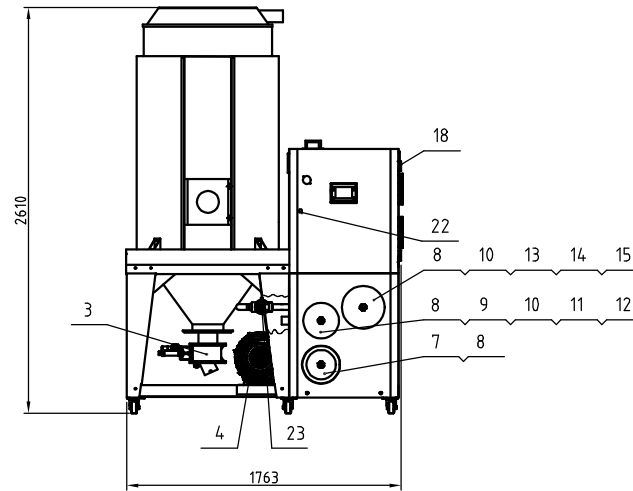
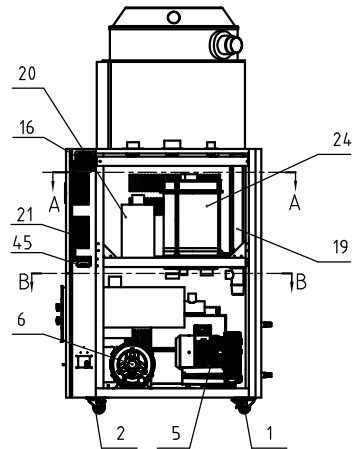


Tech. Req:  
1. The clearance between the discharge port and discharge port sleeve shall be between 0.5mm;

40	YW62040500000	Large cross recessed flat head screw J5111 M4x5-Longzine		2	
39	SBU-160-38S-V-A-13	Positioning pin fixed base	SUS201	1	
38	YW69461600000	Manual screw M4x6x16		1	
37	YW66000500000	E-type washer E5		1	
36	SBU-160-38S-V-A-14	Spring	65Mn	1	
35	SBU-160-38S-V-A-15	Bolt	Q235	1	
34	YW69042000200	Cross recessed pan head assembly screw GB/T 9074.4-M4x20-Longzine		1	
33	SBU-160-50S-V-A-01	Suction port	YL112	1	borrow
32	SBU-160-38S-V-A-03	Shut-off body	YL112	1	
31	SBU-160-38S-V-A-10	Solenoid valve fixed block	SPCC2.0	1	
30	YW63042500000	Gross recessed pan head screw GB/T-818 M4x25-Longzine		2	
29	YE32421600100	Solenoid valve 4V210-06/AC24V Air-TAC	Assembly	1	
28	YW69061500000	Butterfly bolt GB/T 3098 M6x15		2	
27	SBU-160-38S-V-A-05	Suction port	YL112	1	
26	YE31255000000	Air-TAC cylinder MAL-CA 25x50	Assembly	1	
25	SBU-160-38S-V-A-11	Cylinder fixed sheet	SUS201	1	
24	SBU-160-38S-V-A-19	Diaphragm $\phi 63 \times \phi 10 \times 3$	SUS201	1	
23	YW66061200000	Flat washer A grade GB/T97.1 616.4x12x1.61-A2-70(SUS)		1	
22	YW64060401000	1-type full metal hex. lock nut GB/T6184 M6-A2-70(SUS)		1	
21	YW60081600100	Hex. bolt GB/T5781 M8x16-4.8-Longzine		2	
20	SBU-160-38S-V-A-04	Discharge port sleeve	SUS201	1	
19	YW61062500500	Inner hex. countersunk head screw GB/T70.3 M6x25-A2-70(SUS)		1	
18	YW66061800000	Large washer A grade GB/T97.1 6-Longzine		1	
17	SBU-160-38S-V-A-17	Hopper inside washer	SUS201	1	
16	SBU-160-38S-V-A-01	Collective storage hopper	YL112	1	
15	SBU-160-38S-V-A-18	Hopper bottom washer	SUS201	1	
14	YW66061300000	Flat washer A grade GB/T97.1 6-Longzine		2	
13	SBU-160-38S-V-A-09	Shut-off port	SUS201	1	
12	BH10160009710	Anti-loose nut M10x1.25(M4 lock hole)SBU-160-38S-V-A-21	Assembly	1	
11	YW68004500000	Inner hex. flat end lock screw GB/T77 M4x5-Longzine		1	
10	YW69051500000	Butterfly bolt GB/T 3098-M5x15		4	
9	SBU-160-38S-V-A-07	Air filling port block	SUS201	1	
8	YW09051600100	Star screw 5/16(SBU-160-38S-V-22)		2	
7	YW69051600000	Butterfly cap $\phi 5$		2	
6	YW66081900000	Flat washer 8x19x2.0 Longzine		6	
5	SBU-160-38S-V-A-02	Discharge port body	YL112	1	
4	YW64080600000	Hex. nut GB/T6170 M8-Longzine		2	
3	YW60083000100	Hex. bolt GB/T5783 M8x30-8.8-Longzine		2	
2	YW06000100000	Cutter rotating rod (fixed rod) handle	Plastics	2	
1	YW66081900000	Flat washer 8x19x2.0 Longzine		2	
No.	Material number	Name	Material	Qty.	Remark

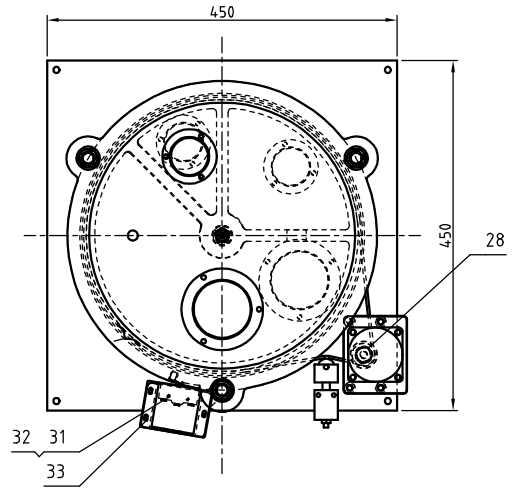
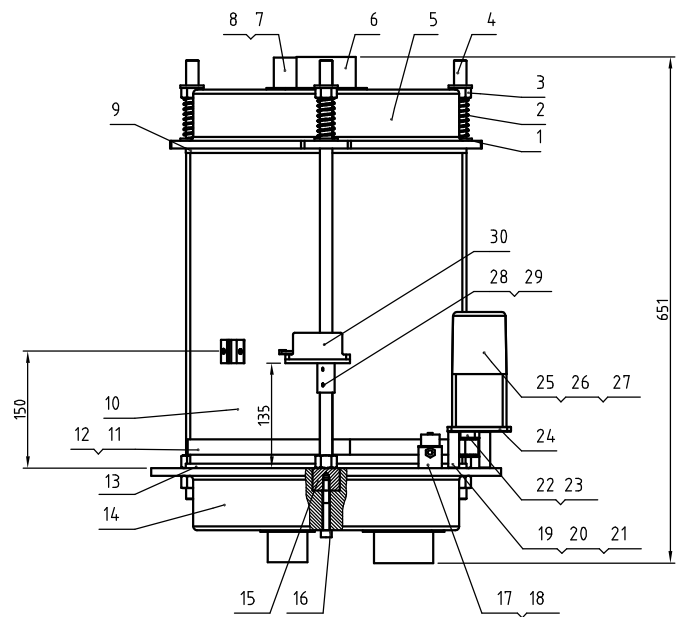
					制图	版号
					设计	核准
					校对	
					审核	日期
标记	更改前	更改后	更改人	日期	审核	日期

标题	SBU-160-38S-V	图号	SBU-160-38S-V-A-ALL	比例	1:4	数量	1
	截料式吸料盒					材质	组件
信易电热机械股份有限公司 Shini Plastics Technologies, Inc.				表面要求			
				物料号			



24	SD-400H-B-ALL	Honeycomb rotor		1
23	SCD-230U/120H-D-ALL	3-way diaphragm valve		1
22	YW00816100000	Door lock (MS816-1 blk. with key)		1
21	YW90120700000	Alu. cooler STM-1207HT-A-17(blk.)		3
20	BH70184.000550	Pipe heater 18KW		1
19	BH704.07200050	Pipe heater 7.2KW		1
18	YW06203100200	Hinge (L CL203-1, right)		2
17	YM601212064.00	Exhaust fan 12x12CM/24-VAC 50/60HZ		1
16	YR4.0120300000	Anti-dust plastic screen (GRM120-30)		1
15	YR10026000000	Filter barrel fastener Ø260	Steel gal	1
14	BR904.06000010	SD-400H-A-60 filter barrel cover	PC	1
13	YR5024.14.000000	Filter ADC3	Assembly	1
12	BR90120500010	SD-120H-ALL-05 filter barrel cover	PC	1
11	YR50203000000	Filter SD-200/300(L)		1
10	YW690516000000	Butterfly nut 5/16"		2
9	YR10080000300	Filter barrel fastener SAL-800G-A-49		1
8	YW096751000000	Small star nut 5/16 SHD-6~75KG-01-SJ alu alloy		3
7	YR10708000100	Filter SAL-700/800G		1
6	BM30031000150	Shini blower RB-310		1
5	BM30055000050	Shini blower RB-550		1
4	BM3004.2000050	Shini blower RB-420		1
3	SBU-160-38S-V-A-ALL	Shut-off suction box		1
2	YW030004.00200	Black movable castor (4")		3
1	YW030004.000000	Black brake castor (4")		3

Mark	Before Mod.	After Mod.	Mod. by	Date	App.	Date	Dra.	Ver.	Title	Drawing No.	Scale	1:30	No.	1	Mat.	Num.	Rem.
									SCD-750U/400H	SCD-750U/400H-ALL							
									"All-in-One" Compact Dryer								
									信易電熱機械股份有限公司 Shini Plastics Technology, Inc.								
																	物料号 BP33754.000500



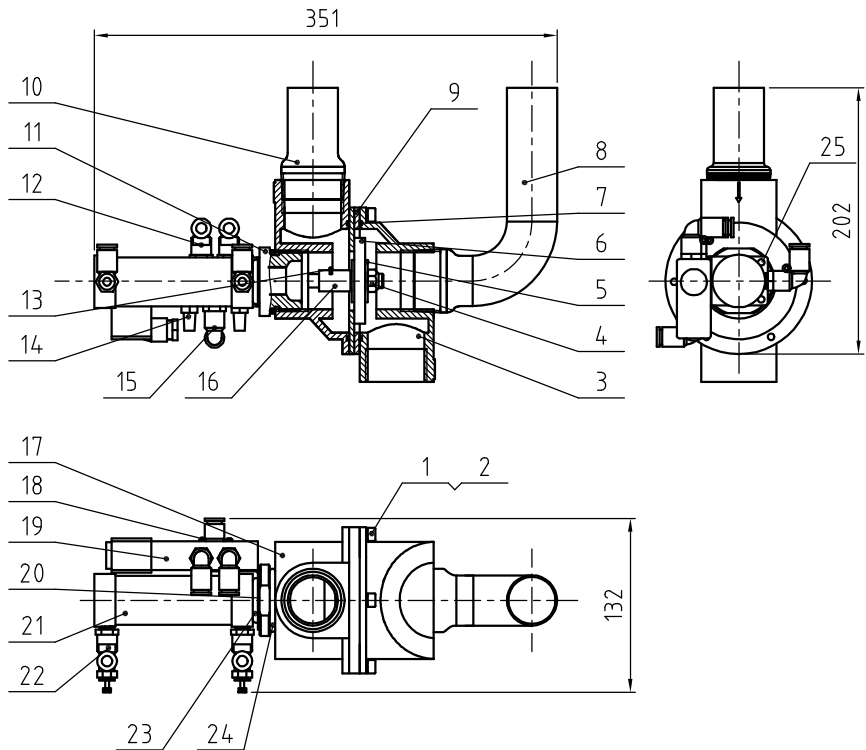
33	YW6304.0600000	Cross socket pan head screw GB/T-818 M4x5-Longzine		3	
32	YE14511200000	Limit switch YBLXW-5/1IG2	Assembly	1	
31	YW63032500000	Cross socket pan head screw GB/T-818 M3x25-Longzine		2	
30	YR40330900000	Micro switch box	ABS	1	
29	YW68004500000	Inner hex. flat end lock screw GB/T771 M4x5-Longzine		3	
28	SD-40H-A-22	Micro switch fixed plate	SUS201	1	Borrow
27	YW64.000500000	Hex. nut M5		4	
26	YW61059500000	Inner hex. cylinder screw GB/T711 M4x5-Longzine		4	
25	YM50512600000	Gear motor	Assembly	1	
24	SD-400H-A-38	Gear motor mount plate	AC4D	1	
23	YW6804.1000000	Inner hex. flat end lock screw GB/T771 M4x5-Longzine		1	
22	YW080014.00100	Synchronous belt wheel	45	1	
21	YW64.000600300	Hex. nut GB/T6170 M16-Longzine		4	
20	YW63067000000	Thickness head screw M6x70(Longzine)		4	
19	BH10070001510	Positioning pipe SD-400H-A-37	AL6061	4	
18	YW6304.4500000	Cross socket pan head screw GB/T-818 M4x5-Longzine		2	
17	SD-400H-A-40	Belt regulator	Assembly	1	Borrow
16	YW61086500000	Inner hex. cylinder screw GB/T711 M4x5-12.9-Longzine		2	
15	SD-40H-B-05	Honeycomb mount shaft	45	2	Borrow
14	SD-400H-A-47	Honeycomb lower cover	LY112	1	Borrow
13	YR10304.0000000	Silicone Teflon washer (lower)	Red silica gel + Teflon	1	
12	YR00003000000	Synchronous belt wheel	Assembly	4	
11	YR00304700000	Synchronous belt 30x470XL	Assembly	1	
10	YW71035000700	Honeycomb PPSR-350x400L	Full molecular sieve	1	
9	YR10304.0001000	Silicone Teflon washer (upper)	Red silica gel + Teflon	1	
8	YW62051000100	Cross socket flat head screw JIS1111 M5x18-Longzine		15	
7	SD-30H-A-05	2" upper and lower cover flange	SUS201	3	Borrow
6	SD-400H-A-33	Honeycomb upper 3-way	SUS201	2	
5	SD-400H-A-46	Honeycomb upper cover	ZL101	1	Borrow
4	SD-1000H-B-11	Double head screw	Q235A	3	Borrow
3	YW64.001600000	Hex.nut GB/T6170 M16-Longzine		6	
2	YW01201800000	Spring (SD-700H-B-07)	70	3	Borrow
1	YW66163000000	Flat washer A grade GB/T197.1 16-Longzine		6	

Mark	After modification	Before modification	Modified by	Modify date	Checked by	Date

No.	Material number	Name	Material	Num.	Remarks

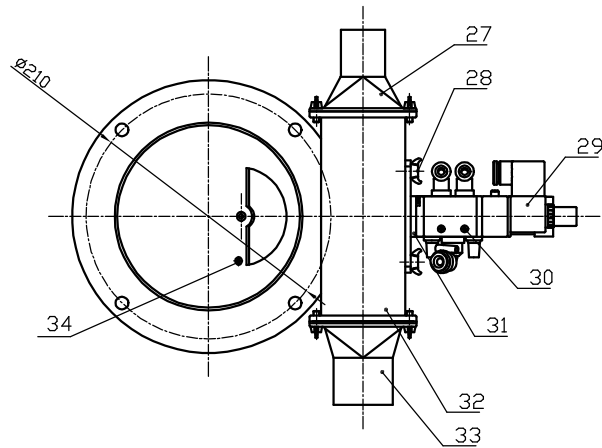
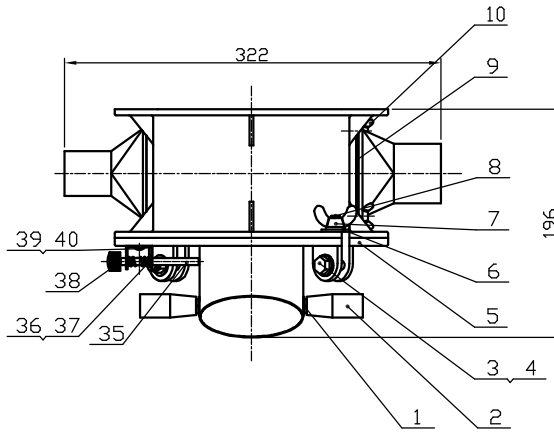
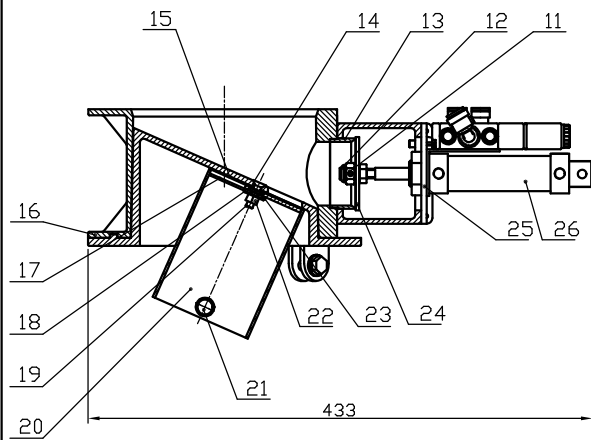


Scale	1:6	Number	1
Material			
Surface requirement			
Material number			



25	YW63040600000	Cross socket pan head screw GB/T-818 M4x6-Longzine		2	
24	YR20044800000	O-type seal ring $\phi 48 \times \phi 4$	Rubber	1	
23	YR20305000000	O-type seal ring $\phi 30 \times \phi 5$	Rubber	1	
22	YW80061800000	Adjustable air connector ASL6-1/8	Assembly	2	
21	YE31125010000	Cylinder MBL25x50-U(AIRTAC)		1	
20	SAL-910G-A-07	Solenoid valve fixed plate	SPCC1.2	1	
19	YE32421600100	Solenoid valve 4V210-06 AC24V	Assembly	1	
18	YW63042500000	Cross socket pan head screw GB/T-818 M4x25-Longzine		2	
17	BR40230700010	Upper cover SCD-230U/120H-D-07	YL112	1	
16	BH10906000110	Height increased iron rod SAL-910G-A-06	Q235A	1	
15	YW80081800100	Air pipe connector APL8-1/8	Assembly	1	
14	YW80010800000	Silencer BSL-01	Assembly	2	
13	YW68005500000	Inner hex.flat end lock screw GB/T77 M5x5-Longzine		1	
12	YW80061800200	Air pipe connector APL6-1/8	Assembly	2	
11	BH13900700010	3-way valve connector SAL-910G-A-05	6061	1	
10	BL22900000320	Suction pipe 2 SAL-910G-A-04	SUS201	2	
9	SCD-230U/120H-D-06	3-way valve middle flange	SPH4.0	1	
8	BL22900000120	Suction pipe 1 SAL-910G-A-03	SUS201	1	
7	YR20258900000	O-type seal ring $\phi 89 \times \phi 2.5$ (ext. dia.)	Rubber	2	
6	BR10651200040	4-way diaphragm 65x12x8mm covered (has mould)	Assembly	1	
5	YW66103200000	Large washer A grade GB/T96 10(10.5x30x2.5)-Longzine		2	
4	YW64101100000	Hex. lock nut M10(Thickness: 11mm)		1	
3	BH10090000510	Valve 1 SAL-910G-A-01	YL112	1	
2	YW65006000000	Standard spring washer GB/T93 6-A2-70(SUS)		6	
1	YW61062000300	Inner hex. cylindrical screw GB/T70.1 M6x20-12.9-Longzine		6	
No.	Material number	Name	Mat.	Num.	Rem.

					Draw.		Ver.		Title	SCD-230U/120H	Drawing no.	SCD-230U/120H-D-ALL	Scale	1:5	Num.	1
					Desi.		App.			3-way Diaphragm valve					Mat.	
					Check		by						Surface req.			
Mark	Before Mark	After Mod.	Modified by.	Date	App.		Date	20170206		信易電熱機械股份有限公司 Shini Plastics Technologies, Inc.		Mat No.				



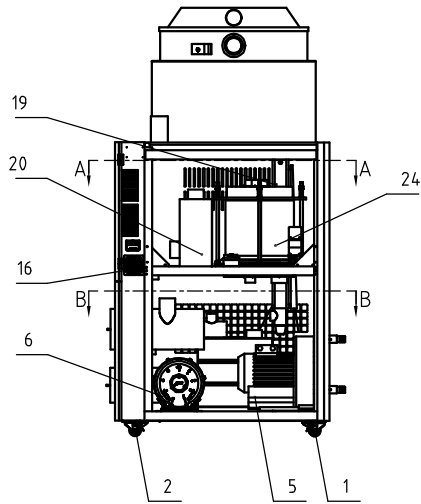
Tech. Req. :  
1.The clearance between the discharge port body and discharge port sleeve is 0.5mm;

40	YW62040500000	Large socket pan head screw M4×5JIS1111 M4×5-Longzine		2	
39	SBU-160-38S-V-A-13	Positioning pin fixed base	SUS201	1	
38	YW69461600000	Manual screw M4×6×16		1	
37	YW66000500000	E-type spring washer E5		1	
36	SBU-160-38S-V-A-14	Spring	65Mn	1	
35	SBU-160-38S-V-A-15	Pin	Q235	1	
34	YW69042000200	Cross socket pan head assembly screw GB/T 9074.4--M4×20-Longzine		1	
33	SBU-160-50S-V-A-01	Suction port	YL112	1	Borrowed
32	SBU-160-38S-V-A-03	Shut-off body	YL112	1	
31	SBU-160-38S-V-A-10	Solenoid valve fixed block	SPCC2.0	1	
30	YW63042500000	Cross socket pan head screw GB/T-818 M4×25-Longzine		2	
29	YE32421600000	Solenoid valve 4V210-06/AC220V AirTAC	Assembly	1	
28	YW69061500000	Butterfly bolt GB/T 3098 M6×15		2	
27	SBU-160-38S-V-A-05	Suction port	YL112	1	
26	YE31255000000	Cylinder MAL25×50-CA-PT(AirTAC)	Assembly	1	
25	SBU-160-38S-V-A-11	Cylinder fixed piece	SUS201	1	
24	SBU-160-38S-V-A-19	Diaphragm $\varnothing 63 \times \varnothing 10 \times 3$	SUS201	1	
23	YW66061200000	Flat washer A grade GB/T97.1 616.4×12×1.6)-A2-70(SUS)		1	
22	YW64060401000	1-type full metal hex lock bolt GB/T6184 M6-A2-70(SUS)		1	
21	YW60081600100	Hex. head bolt GB/T5781 M8×16-4.8-Longzine		2	
20	SBU-160-38S-V-A-04	Discharge port sleeve	SUS201	1	
19	YW61062500500	Inner hex. countersunk screw GB/T70.3 M6×25-A2-70(SUS)		1	
18	YW66061800000	Large washer A grade GB/T96.1 6-Longzine		1	
17	SBU-160-38S-V-A-17	Hopper inner washer	SUS201	1	
16	SBU-160-38S-V-A-01	Collective body	YL112	1	
15	SBU-160-38S-V-A-18	Hopper bottom washer	SUS201	1	
14	YW66061300000	Flat washer A grade GB/T97.1 6-Longzine		2	
13	SBU-160-38S-V-A-09	Shut-off port	SUS201	1	
12	BH10160009710	Anfi-loose nut M10×1.25(M4 lock hole)SBU-160-38S-V-A-21	Assembly	1	
11	YW68004500000	Inner hex. flat head lock nut GB/T777 M4×5-Longzine		1	
10	YW69051500000	Butterfly bolt GB/T 3098-M5×15		4	
9	SBU-160-38S-V-A-07	Air replenishment fender	SUS201	1	
8	YW09051600100	Star screw 5/16(SBU-160-38S-V-22)		2	
7	YW69051600000	Butterfly cap $\frac{1}{8}$ "		2	
6	YW66081900000	Flat washer 8×19×2.0 Longzine		6	
5	SBU-160-38S-V-A-02	Discharge port body	YL112	1	
4	YW64080600000	Hex. nut GB/T6170 M8-Longzine		2	
3	YW60083000100	Hex. bolt GB/T5783 M8×30-8.8-Longzine		2	
2	YW06000100000	Cutter rotating rod (without rod handle)	Plastics	2	
1	YW66081900000	Flat washer 8×19×2.0 Longzine		2	
No.	Material number	Name	Material	Num.	Remarks

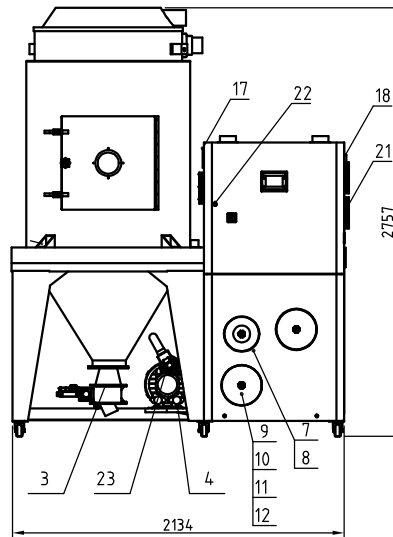
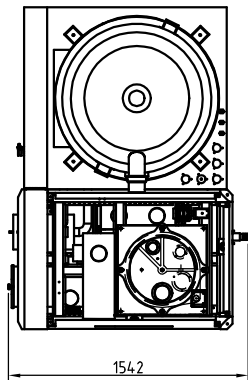
Mark	After modification	Before modification	Modified by	Modify date	Checked by	Date

Title	SBU-160-38S-V Shut-off Suction Box	SBU-160-38S-V-A-ALL	Proportion	1:4	Number	1
			Surface requirement		Material	Assembly
			Material number			

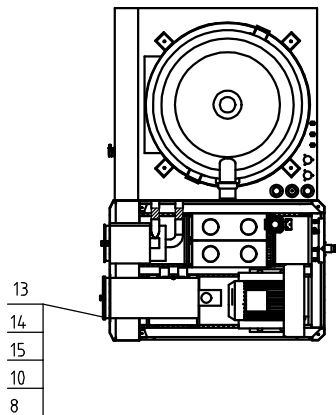




A-A

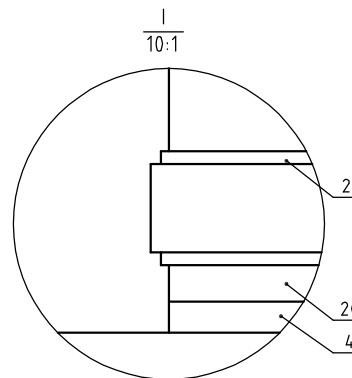
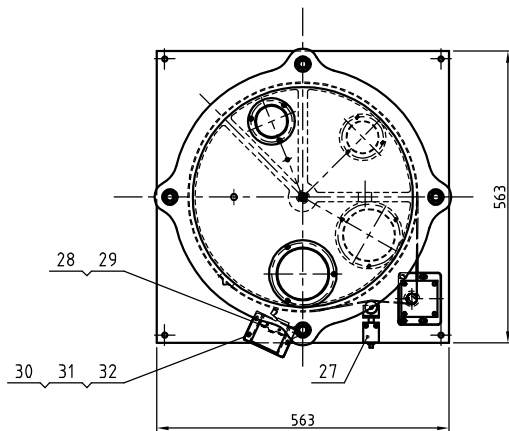
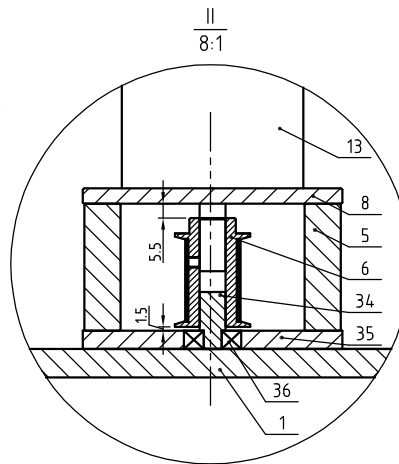
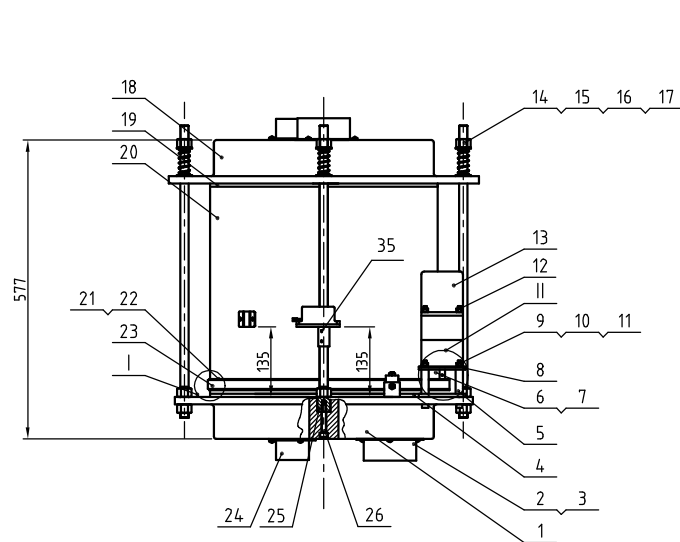


B-B



24	SD-700H-B-ALL	Honeycomb rotor		1
23	SCD-900U700H-C-ALL	3-way diaphragm valve		1
22	YW00816100000	Door lock (MS816-1 blk. with key)		1
21	YW90120700000	Alu. cooler STM-1207HT-A-17(blk.)		3
20	BH7024.4.000850	Pipe heater 24KWSCD-900U/700H-B-04		1
19	BH70501000050	Pipe heater SD-500H-10KW3ø230/400V		1
18	YW06203100200	Hinge (L CL203-1, right)		2
17	YM601212064.00	Exhaust fan 12x12CM/24VAC 50/60HZ		1
16	YR40120300000	Anti-dust plastic screen (GRM120-30)		1
15	YR10026000000	Filter barrel fastener ø260	Silica gel	1
14	BR90406000010	SD-400H-A-60 filter barrel cover	PC	1
13	YR50241400000	Filter ADC3	Assembly	1
12	BR90120500010	SD-120H-ALL-05 filter barrel cover	PC	1
11	YR50203000000	Filter SD-200/300(L)		1
10	YW69051600000	Butterfly nut 5/16"		2
9	YR10708000100	Filter barrel fastener SAL-800G-A-49		1
8	YW09675100000	Small star nut 5/16 SHD-6~75KG-01-SJ) alu. alloy		3
7	YR50181000000	Filter ADC2		1
6	BM3004.2000050	Blower 2HP		1
5	BM30081000050	Shini blower RB-850		1
4	BM30055000050	Shini blower RB-550		1
3	SBU-160-50S-V-A-ALL	Shut-off suction box		1
2	YW030004.00200	Black movable castor (4")		3
1	YW030004.00000	Black brake castor (4")		3

Mark	Before Mod.	After Mod.	Mod. by	Date	App.	Date	Dra.	Ver.	Title	Drawing No.	Scale	1:30	No.	1
									SCD-900U/700H	SCD-900U/700H-ALL				
									"All-in-One" Compact Dryer					
									信易電熱機械股份有限公司 Shini Plastics Technologies, Inc.		Surface Req.			
													Mat. No.	BP3390W000800

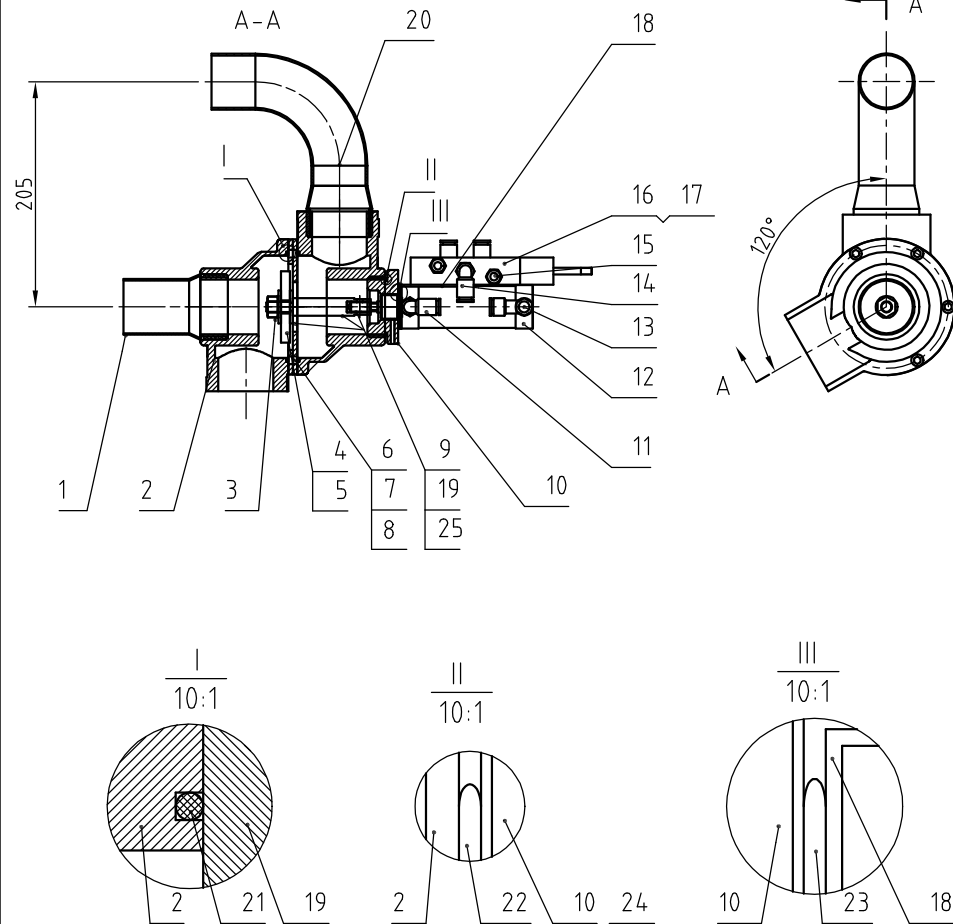


36	YW11062700000	Bearing 627Z1MC3E	Assembly	1	
35	SD-700H-B-22	Gear motor fixed plate 2	6061	1	
34	SD-700H-B-23	Fixing shaft	SUS201	1	
33	YW68004500000	Inner hex. flat end lock screw GB/T77 Mx10-Longine		3	
32	YW63040600000	Cross socket pan head screw GB/T-818 Mx6-Longine		3	
31	SD-40H-A-22	Micro switch fixed plate	SUS201	1	Borrow
30	YR40330900000	Micro switch box	ABS	1	
29	YW63032500000	Cross socket pan head screw GB/T-818 Mx2.5-Longine		2	
28	YE14511200000	Limit switch YBLXW-5/1KG2	Assembly	1	
27	SD-400H-A-40	Belt regulator	Assembly	1	Borrow
26	YW61085500000	Inner hex. cylinder screw GB/T3118x5-12.9-Longine		2	
25	SD-1000H-B-13	Honeycomb mount shaft	45	2	Borrow
24	SD-200H-A-35	25" upper and lower cover flange	Welding parts	3	Borrow
23	YR00305800000	Synchronous belt 30x580XL	Assembly	1	
22	YW61031000200	Cross socket countersunk screw GB/T917x8-Longine		16	
21	YR00003000000	Synchronous belt wheel	Assembly	4	
20	YW71044000700	Honeycomb M4.0x400L	Full molecular sieve	1	
19	SD-700H-B-14	Silicone Teflon washer (upper)	Red sitalcal gel + Teflon	1	
18	SD-700H-B-12	Honeycomb upper cover	ZL101	1	
17	YW01201800000	Spring (SD-700H-B-07)	70	4	
16	YW64001600000	Hex. nut GB/T6170 M16-Longine		8	
15	YW09173000000	Flat washer 16		8	
14	SD-1000H-B-11	Double head screw	Q235A	4	Borrow
13	YM50512600000	Gear motor 3K15GN-C-T	Assembly	1	
12	YW61615000000	Cross socket countersunk screw GB/T783 Mx50-Longine		4	
11	YW61069000000	Cross socket countersunk screw GB/T783 Mx16-A2-7H500		4	
10	YW64000600300	Hex. nut GB/T6170 M6-Longine		8	
9	YW66061300000	Flat washer A grade GB/197.1 M-Longine		12	
8	SD-700H-B-08	Gear motor mount plate	YL102	1	
7	YW68041000000	Inner hex. flat end lock screw GB/T77 Mx8-Longine		2	
6	YW08001400000	Synchronous belt	45	1	
5	BH10070001510	Positioning pipe SD-400H-A-37	AL6061	4	
4	SD-700H-B-15	Silicone Teflon washer (lower)	Red sitalcal gel + Teflon	1	
3	YW61051000200	Cross socket pan head screw H-type GB/T818 Mx6-Longine		15	
2	SD-700H-B-13	4" honeycomb direct flange	SUS201(1.5)	2	
1	SD-700H-B-11	Honeycomb lower cover	ZL101	1	
No.	Material number	Name	Material	Num.	Remarks

Mark	After modification	Before modification	Modified by	Modify date	Drawer	Version
					Designer	
					Proofread by	Approved by
					Checked by	Date

Title		Drawing No.		Scale	19	Number	1
SD-700H Honeycomb Rotor		SD-700H-B-ALL					
<b>SHINI</b> 信易電熱機械股份有限公司 Shini Plastics Technologies, Inc.				Surface requirement			
				Material number			




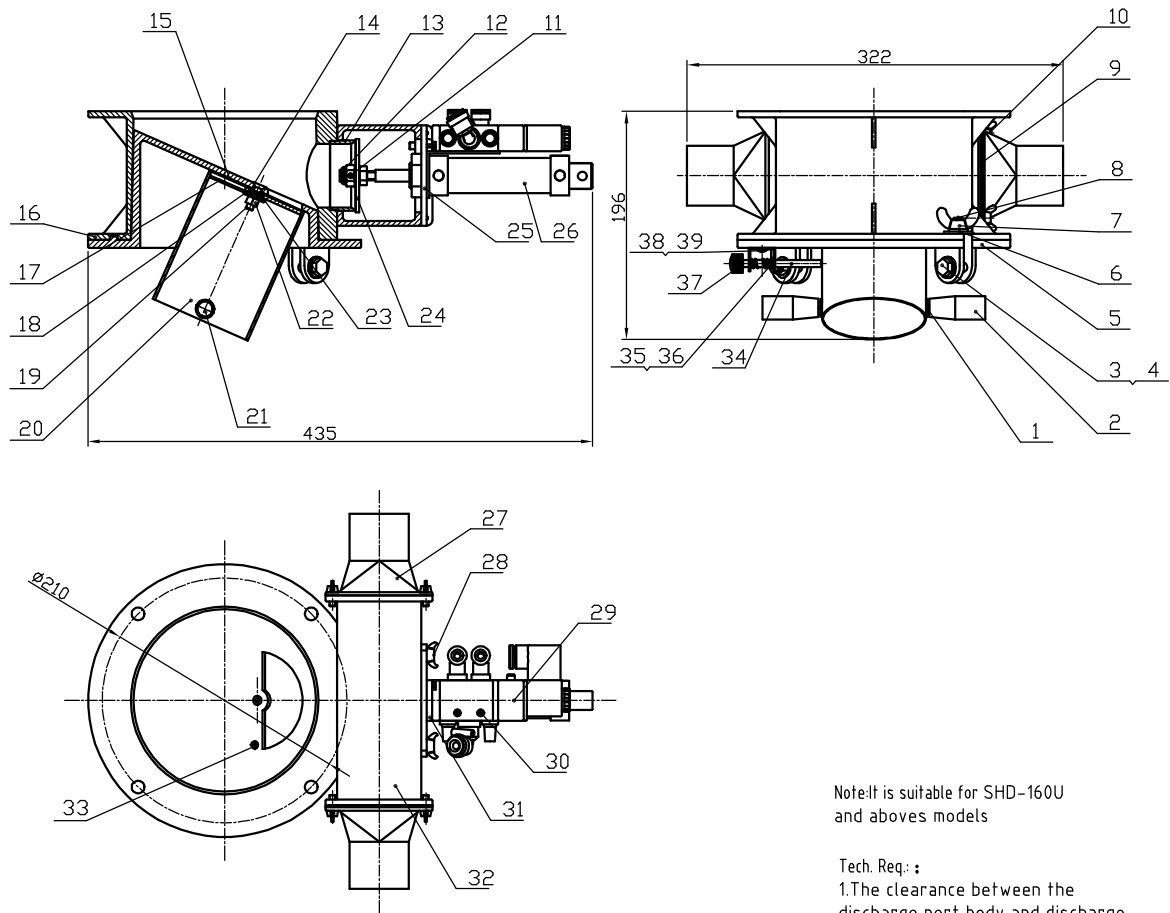


Tech. Req.:

1. Parts must be cleaned before assembly, without burr, flash, rust, dust, etc;
2. Don't knock, touch and scratch the parts during assembly.

25	YW68005500000	Inner hex. flat end lock nut GB/T77 M5x5-Longzine		1	
24	YW68041000000	Inner hex. flat end lock nut GB/T77 M4x10-Longzine		1	
23	YR20305000000	O-type seal ring 5x30	YI16363	1	
22	YR20044800000	O-type seal ring 4x48	YI16363	1	
21	YR20259800000	O-type seal ring 2.5x98	YI16363	2	
20	SCD-900U/700H-C-05	2" with thread elbow	Welding parts	1	
19	SCD-900U/700H-C-07	3-way middle flange	SPH4.0	1	
18	BL20050000020	Solenoid valve fixed plate	SPCC1.5	1	
17	YW69042000200	Cross socket pan head screw GB/T 9074.4-M4x20--Longzine		2	
16	YE32051800300	Solenoid valve MFH-5-1/8-B	Assembly	1	
15	YW80010800000	Copper silencer BSL-01	62	2	
14	YW80081800100	Quick air pipe connector APL8-1/8	Assembly	1	
13	YW80061800000	Single-way throttle valve ASL6-1/8B	Assembly	1	
12	YE31125010000	Cylinder MBL25x50-U(AIRTAC)	Assembly	1	
11	YW80061800200	Quick air pipe connector APL6-1/8	Assembly	3	
10	SCD-900U/700H-C-03	3-way valve connector	6061	1	
9	SCD-900U/700H-C-02	Height increased iron rod	SUS304	1	
8	YW64000600300	Hex. nut GB/T6170 M6		2	
7	YW61063000200	Inner hex. cylindrical screw GB/T70.1 M6x30		2	
6	YW61062000300	Inner hex. cylindrical screw GB/T70.1 M6x20		4	
5	YW66102500000	Flat washer 10x25x1.5		2	
4	BR10651200040	4-way diaphragm	Assembly	1	
3	YW64101100000	Non-metal insert hex. nut GB889.1 M10-Longzine		1	
2	SCD-900U/700H-C-06	Lower cover	YL112	2	
1	SCD-900U/700H-C-01	2" suction motor flange	Welding parts	1	
No.	Material number	Name	Mat.	Num	Rem

					Draw.	Ver.	Title	Drawing no.	Scale	1:6	Num.	1
					Desi.	App.	SCD-900U/700H	3-way Diaphragm valve	SCD-900U/700H-C-ALL		Mat.	
					Check	by	 <b>信易電熱機械股份有限公司</b> <b>Shini Plastics Technologies, Inc.</b>		Surface req.			
Mark	Before Mark	After Mod.	Modified by	Date	App.	Date			Mat No.			



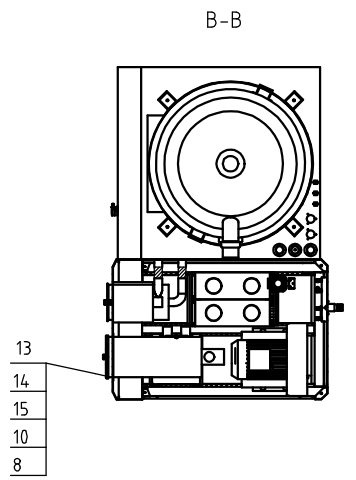
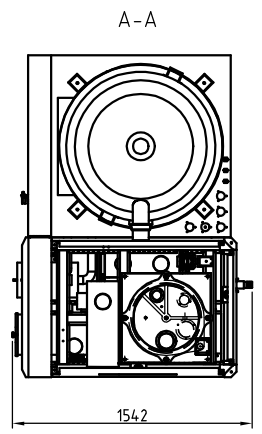
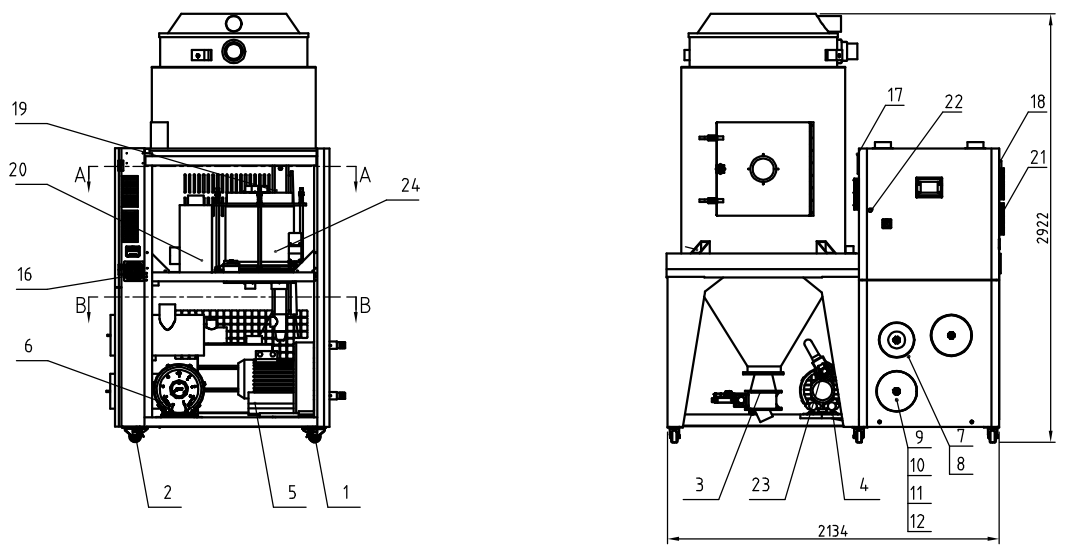
Note: It is suitable for SHD-160U and above models

Tech. Req.:  
1. The clearance between the discharge port body and discharge port sleeve is 0.5mm;

39	YW62040500000	Large socket pan head screw M4×5JIS1111 M4×5-Longzine		2	
38	SBU-160-38S-V-A-13	Positioning pin fixed base	SUS201	1	
37	YW69461600000	Manual screw M4×6×16		2	
36	YW66000500000	E-type spring washer E5		1	
35	SBU-160-38S-V-A-14	Spring	65Mn	1	
34	SBU-160-38S-V-A-15	Pin	Q235	1	Borrowed
33	YW690420002006	Cross socket pan head assembly screw GB/T 9074.4-M4×20-Longzine		1	
32	SBU-160-38S-V-A-03	Shut-off body	YL112	1	Borrowed
31	SBU-160-38S-V-A-10	Solenoid valve fixed block	SPCC2.0	1	Borrowed
30	YW63042500000	Cross socket pan head screw GB/T-818 M4×25-Longzine		2	
29	YE32421600000	Solenoid valve 4V210-06/AC220V AirTAC	Assembly	1	
28	YW69061500000	Butterfly bolt GB/T 3098 M6×15		2	
27	SBU-160-50S-V-A-01	Suction part	YL112	2	
26	YE31255000000	Cylinder MAL25×50-CA-PT(AirTAC)	Assembly	1	
25	SBU-160-38S-V-A-11	Cylinder fixed piece	SUS201	1	Borrowed
24	SBU-160-38S-V-A-19	Diaphragm $\phi 63 \times \phi 10 \times 3$	SUS201	1	Borrowed
23	YW66061200000	Flat washer A grade GB/T97.1 616.4×12×1.61-A2-7NUSUS)		1	
22	YW64060401000	1-type full metal hex lock but GB/T6184 M6-A2-70USUS)		1	
21	YW60081600100	Hex. head bolt GB/T5781 M8×16-4.8-Longzine		2	
20	SBU-160-38S-V-A-04	Discharge port sleeve	SUS201	1	Borrowed
19	YW61062500500	Inner hex. countersunk screw GB/T70.3 M6×25-A2-70USUS)		1	
18	YW66061800000	Large washer A grade GB/T96.1 6-Longzine		1	
17	SBU-160-38S-V-A-17	Hopper inner washer	SUS201	1	Borrowed
16	SBU-160-38S-V-A-01	Collective body	YL112	1	Borrowed
15	SBU-160-38S-V-A-18	Hopper bottom washer	SUS201	1	Borrowed
14	YW66061300000	Flat washer A grade GB/T97.1 6-Longzine		2	
13	SBU-160-38S-V-A-09	Shut-off port	SUS201	1	Borrowed
12	BH10160009710	Anti-loose nut M10×1.25(M4 lock hole)SBU-160-38S-V-A-21	Assembly	1	
11	YW68004500000	Inner hex. flat head lock nut GB/T777 M4×5-Longzine		1	
10	YW69051500000	Butterfly bolt GB/T 3098-M5×15		4	
9	SBU-160-38S-V-A-07	Air replenishment fender	SUS201	1	Borrowed
8	YW09051600100	Star screw 5/16(SBU-160-38S-V-22)		2	
7	YW69051600000	Butterfly cap $\frac{3}{16}$ "		2	
6	YW66081900000	Flat washer 8×19×2.0 Longzine		6	
5	SBU-160-38S-V-A-02	Discharge port body	YL112	1	Borrowed
4	YW64080600000	Hex. nut GB/T6170 M8-Longzine		2	
3	YW60083000100	Hex. bolt GB/T5783 M8×30-8.8-Longzine		2	
2	YW60001000000	Cutter rotating rod (without rod) handle	Plastics	2	
1	YW66081900000	Flat washer 8×19×2.0 Longzine		2	

Mark	After modification	Before modification	Modified by	Modify date	Checked by	Date	No.	Material number	Name	Material	Num.	Remarks	
					Drawer	Version							
					Designer	Approved by							
					Proofread by								
					Checked by	Date							
							Title	SBU-160-50S-V	SBU-160-50S-V-A-ALL	Proportion	1:4	Number	1
								Shut-off Suction Box			Material	Assembly	
										Surface requirement			
										Material number			

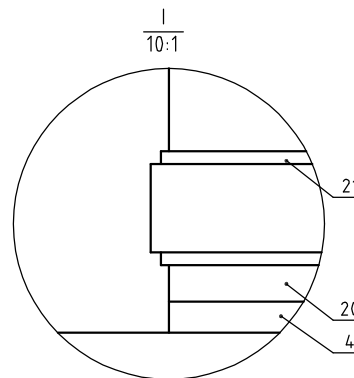
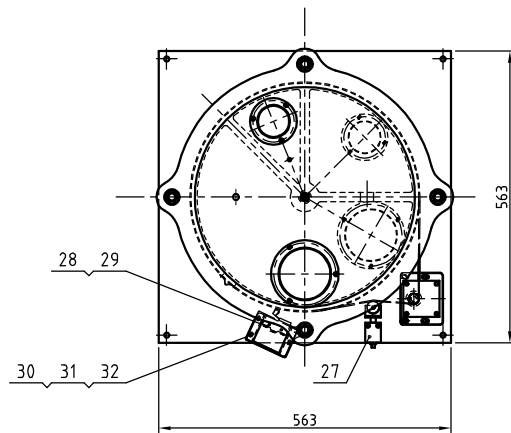
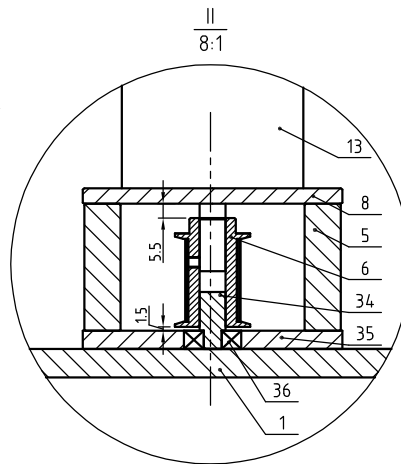
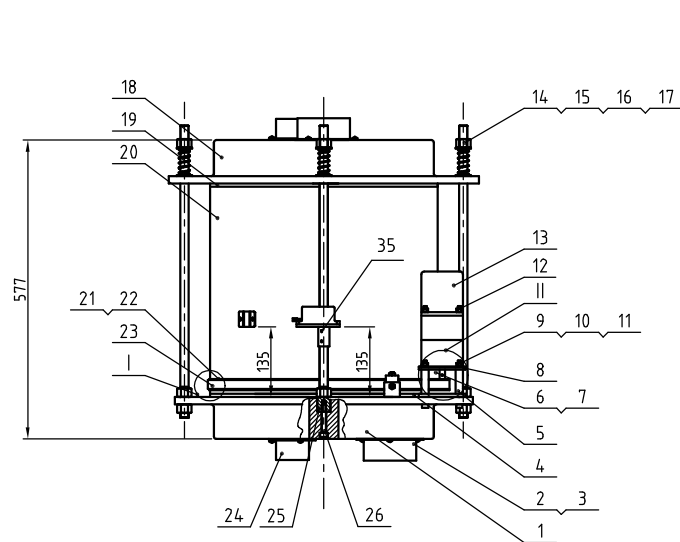
**SHINI** 信易電熱機械股份有限公司  
Shini Plastics Technologies, Inc.



24	SD-700H-B-ALL	Honeycomb rotor		1
23	SCD-900U700H-C-ALL	3-way diaphragm valve		1
22	YW00816100000	Door lock (MS816-1 blk. with key)		1
21	YW90120700000	Alu. cooler STM-1207HT-A-17(blk.)		3
20	BH7024.4.000850	Pipe heater 24KWSCD-900U/700H-B-04		1
19	BH70501000050	Pipe heater SD-500H-10KW3ø230/400V		1
18	YW06203100200	Hinge (L. CL203-1, right)		2
17	YM601212064.00	Exhaust fan 12x12CM/24VAC 50/60HZ		1
16	YR40120300000	Anti-dust plastic screen (GRM120-30)		1
15	YR10026000000	Filter barrel fastener ø260	Silical gal	1
14	BR90406000010	SD-400H-A-60 filter barrel cover	PC	1
13	YR50241400000	Filter ADC3	Assembly	1
12	BR90120500010	SD-120H-ALL-05 filter barrel cover	PC	1
11	YR50203000000	Filter SD-200/300(L)		1
10	YW69051600000	Butterfly nut 5/16"		2
9	YR10708000100	Filter barrel fastener 700/800G		1
8	YW09675100000	Small star nut 5/16 SHD-6~75KG-01-SJ alu. alloy		3
7	YR50181100000	Filter ADC2		1
6	BM3004.2000050	Blower 2HP		1
5	BM30081000050	Shini blower RB-850		1
4	BM30055000050	Shini blower RB-550		1
3	SBU-160-50S-V-A-ALL	Shut-off suction box		1
2	YW030004.00200	Black movable castor (4")		3
1	YW030004.00000	Black brake castor (4")		3

Mark	Before Mod.	After Mod.	Mod. by	Date	App.	Date

Title		Drawing No.		Scale	1:30	No.	1
SCD-1200U/700H		SCD-1200U/700H-ALL			Mat.		
"All-in-One" Compact Dryer						Mat. No.	BP3312W00700
信易電熱機械股份有限公司 Shini Plastics Technologies, Inc.							

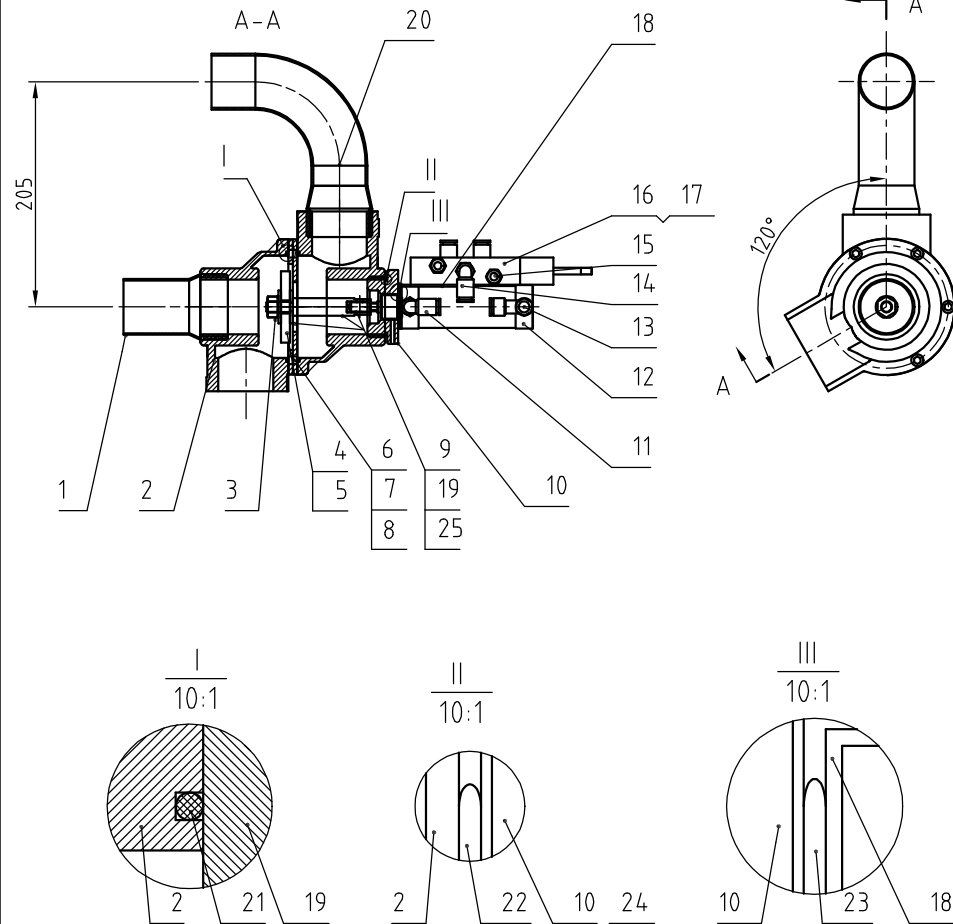


36	YW11062700000	Bearing 627Z1MC3E	Assembly	1	
35	SD-700H-B-22	Gear motor fixed plate 2	6061	1	
34	SD-700H-B-23	Fixing shaft	SUS201	1	
33	YW68004500000	Inner hex. flat end lock screw GB/T77 Mx10-Longzine		3	
32	YW63040600000	Cross socket pan head screw GB/T-818 Mx6-Longzine		3	
31	SD-40H-A-22	Micro switch fixed plate	SUS201	1	Borrow
30	YR40330900000	Micro switch box	ABS	1	
29	YW63032500000	Cross socket pan head screw GB/T-818 Mx2.5-Longzine		2	
28	YE14511200000	Limit switch YBLXW-5/1KG2	Assembly	1	
27	SD-400H-A-40	Belt regulator	Assembly	1	Borrow
26	YW61085500000	Inner hex. cylinder screw GB/T3118x5-12.9-Longzine		2	
25	SD-1000H-B-13	Honeycomb mount shaft	45	2	Borrow
24	SD-200H-A-35	25" upper and lower cover flange	Welding parts	3	Borrow
23	YR00305800000	Synchronous belt 30x580XL	Assembly	1	
22	YW61031000200	Cross socket countersunk screw GB/T917x8-Longzine		16	
21	YR00003000000	Synchronous belt wheel	Assembly	4	
20	YW71044000700	Honeycomb M4.0x400L	Full molecular sieve	1	
19	SD-700H-B-14	Silicone Teflon washer (upper)	Red sitalcal gel + Teflon	1	
18	SD-700H-B-12	Honeycomb upper cover	ZL101	1	
17	YW01201800000	Spring (SD-700H-B-07)	70	4	
16	YW64001600000	Hex. nut GB/T6170 M16-Longzine		8	
15	YW09173000000	Flat washer 16		8	
14	SD-1000H-B-11	Double head screw	Q235A	4	Borrow
13	YM50512600000	Gear motor 3K15GN-C-T	Assembly	1	
12	YW61615000000	Cross socket countersunk screw GB/T783 Mx50-Longzine		4	
11	YW61069000000	Cross socket countersunk screw GB/T783 Mx16-A2-7H500		4	
10	YW64000600300	Hex. nut GB/T6170 M6-Longzine		8	
9	YW66061300000	Flat washer A grade GB/197.1 M-Longzine		12	
8	SD-700H-B-08	Gear motor mount plate	YL102	1	
7	YW68041000000	Inner hex. flat end lock screw GB/T77 Mx8-Longzine		2	
6	YW08001400000	Synchronous belt	45	1	
5	BH10070001510	Positioning pipe SD-400H-A-37	AL6061	4	
4	SD-700H-B-15	Silicone Teflon washer (lower)	Red sitalcal gel + Teflon	1	
3	YW61051000200	Cross socket pan head screw H-type GB/T818 Mx6-Longzine		15	
2	SD-700H-B-13	4" honeycomb direct flange	SUS201(1.5)	2	
1	SD-700H-B-11	Honeycomb lower cover	ZL101	1	

Mark	After modification	Before modification	Modified by	Modify date	Drawer	Version
					Designer	
					Proofread by	Approved by
					Checked by	Date

No.	Material number	Name	Material	Num.	Remarks
		Title SD-700H	Drawing No.		
		Honeycomb Rotor	SD-700H-B-ALL		
		Scale 1:19		Number 1	
		Surface requirement		Material	
		Material number			


**SHINI** 信易電熱機械股份有限公司  
Shini Plastics Technologies, Inc.

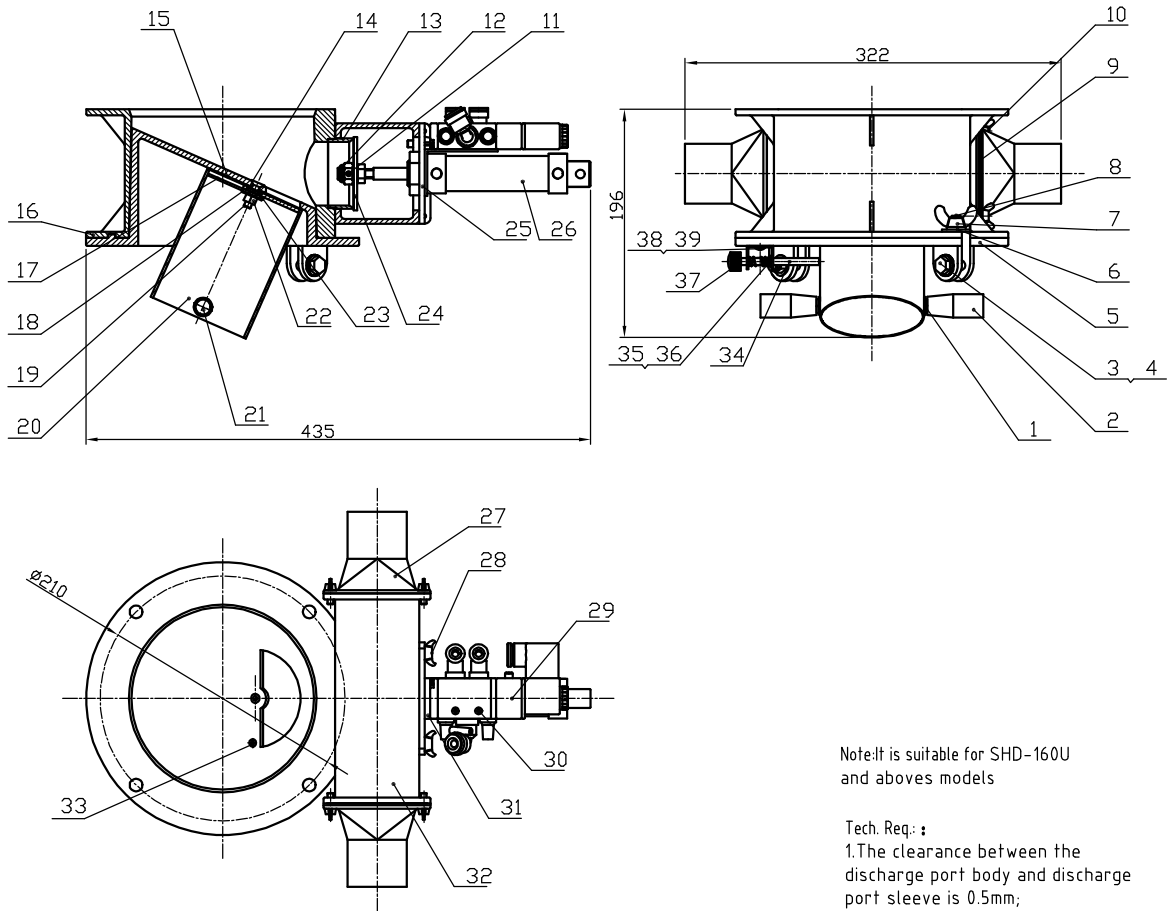


Tech. Req.:

1. Parts must be cleaned before assembly, without burr, flash, rust, dust, etc;
2. Don't knock, touch and scratch the parts during assembly.

25	YW68005500000	Inner hex. flat end lock nut GB/T77 M5x5-Longzine		1	
24	YW68041000000	Inner hex. flat end lock nut GB/T77 M4x10-Longzine		1	
23	YR20305000000	O-type seal ring 5x30	YI16363	1	
22	YR20044800000	O-type seal ring 4x48	YI16363	1	
21	YR20259800000	O-type seal ring 2.5x98	YI16363	2	
20	SCD-900U/700H-C-05	2" with thread elbow	Welding parts	1	
19	SCD-900U/700H-C-07	3-way middle flange	SPH4.0	1	
18	BL20050000020	Solenoid valve fixed plate	SPCC1.5	1	
17	YW69042000200	Cross socket pan head screw GB/T 9074.4-M4x20--Longzine		2	
16	YE32051800300	Solenoid valve MFH-5-1/8-B	Assembly	1	
15	YW80010800000	Copper silencer BSL-01	62	2	
14	YW80081800100	Quick air pipe connector APL8-1/8	Assembly	1	
13	YW80061800000	Single-way throttle valve ASL6-1/8B	Assembly	1	
12	YE31125010000	Cylinder MBL25x50-U(AIRTAC)	Assembly	1	
11	YW80061800200	Quick air pipe connector APL6-1/8	Assembly	3	
10	SCD-900U/700H-C-03	3-way valve connector	6061	1	
9	SCD-900U/700H-C-02	Height increased iron rod	SUS304	1	
8	YW64000600300	Hex. nut GB/T6170 M6		2	
7	YW61063000200	Inner hex. cylindrical screw GB/T70.1 M6x30		2	
6	YW61062000300	Inner hex. cylindrical screw GB/T70.1 M6x20		4	
5	YW66102500000	Flat washer 10x25x1.5		2	
4	BR10651200040	4-way diaphragm	Assembly	1	
3	YW64101100000	Non-metal insert hex. nut GB889.1 M10-Longzine		1	
2	SCD-900U/700H-C-06	Lower cover	YL112	2	
1	SCD-900U/700H-C-01	2" suction motor flange	Welding parts	1	
No.	Material number	Name	Mat.	Num	Rem

					Draw.	Ver.	Title	Drawing no.	Scale	1:6	Num.	1
					Desi.	App.	SCD-900U/700H	3-way Diaphragm valve			Mat.	
					Check	by		SCD-900U/700H-C-ALL				
Mark	Before Mark	After Mod.	Modified by	Date	App.	Date	 <b>信易電熱機械股份有限公司</b> <b>Shini Plastics Technologies, Inc.</b>			Surface req.		
										Mat No.		



Note: It is suitable for SHD-160U and above models

Tech. Req.:  
1. The clearance between the discharge port body and discharge port sleeve is 0.5mm;

39	YW62040500000	Large socket pan head screw M4×5JIS1111 M4×5-Longzine		2	
38	SBU-160-38S-V-A-13	Positioning pin fixed base	SUS201	1	
37	YW69461600000	Manual screw M4×6×16		2	
36	YW66000500000	E-type spring washer E5		1	
35	SBU-160-38S-V-A-14	Spring	65Mn	1	
34	SBU-160-38S-V-A-15	Pin	Q235	1	Borrowed
33	YW690420002006	Cross socket pan head assembly screw GB/T 9074.4-M4×20-Longzine		1	
32	SBU-160-38S-V-A-03	Shut-off body	YL112	1	Borrowed
31	SBU-160-38S-V-A-10	Solenoid valve fixed block	SPCC2.0	1	Borrowed
30	YW63042500000	Cross socket pan head screw GB/T-818 M4×25-Longzine		2	
29	YE32421600000	Solenoid valve 4V210-06/AC220V AirTAC	Assembly	1	
28	YW69061500000	Butterfly bolt GB/T 3098 M6×15		2	
27	SBU-160-50S-V-A-01	Suction port	YL112	2	
26	YE31255000000	Cylinder MAL25×50-CA-PT(AirTAC)	Assembly	1	
25	SBU-160-38S-V-A-11	Cylinder fixed piece	SUS201	1	Borrowed
24	SBU-160-38S-V-A-19	Diaphragm φ63×φ10×3	SUS201	1	Borrowed
23	YW66061200000	Flat washer A grade GB/T97.1 6(6.4)×12×1.61-A2-70(SUS)		1	
22	YW64060401000	1-type full metal hex lock nut GB/T6184 M6-A2-70(SUS)		1	
21	YW60081600100	Hex. head bolt GB/T5781 M8×16-4.8-Longzine		2	
20	SBU-160-38S-V-A-04	Discharge port sleeve	SUS201	1	Borrowed
19	YW61062500500	Inner hex. countersunk screw GB/T70.3 M6×25-A2-70(SUS)		1	
18	YW66061800000	Large washer A grade GB/T96.1 6-Longzine		1	
17	SBU-160-38S-V-A-17	Hopper inner washer	SUS201	1	Borrowed
16	SBU-160-38S-V-A-01	Collective body	YL112	1	Borrowed
15	SBU-160-38S-V-A-18	Hopper bottom washer	SUS201	1	Borrowed
14	YW66061300000	Flat washer A grade GB/T97.1 6-Longzine		2	
13	SBU-160-38S-V-A-09	Shut-off port	SUS201	1	Borrowed
12	BH10160009710	Anti-loose nut M10×125(M4 lock hole)SBU-160-38S-V-A-21	Assembly	1	
11	YW68004500000	Inner hex. flat head lock nut GB/T77 M4×5-Longzine		1	
10	YW69051500000	Butterfly bolt GB/T 3098-M5×15		4	
9	SBU-160-38S-V-A-07	Air replenishment fender	SUS201	1	Borrowed
8	YW09051600100	Star screw 5/16(SBU-160-38S-V-22)		2	
7	YW69051600000	Butterfly cap 5/8"		2	
6	YW66081900000	Flat washer 8×19×2.0 Longzine		6	
5	SBU-160-38S-V-A-02	Discharge port body	YL112	1	Borrowed
4	YW64080600000	Hex. nut GB/T6170 M8-Longzine		2	
3	YW60083000100	Hex. bolt GB/T5783 M8×30-8.8-Longzine		2	
2	YW60600100000	Cutter rotating rod (without rod) handle	Plastics	2	
1	YW66081900000	Flat washer 8×19×2.0 Longzine		2	
No.	Material number	Name	Material	Num.	Remarks

					Drawer	Version	
					Designer	Approved by	
					Proofread by		
					Checked by	Date	
Mark	After modification	Before modification	Modified by	Modify date			

Title	SBU-160-50S-V	Proportion	1:4	Number	1
	Shut-off Suction Box			Material	Assembly
				Surface requirement	
				Material number	

**SHINI** 信易電熱機械股份有限公司  
Shini Plastics Technologies, Inc.